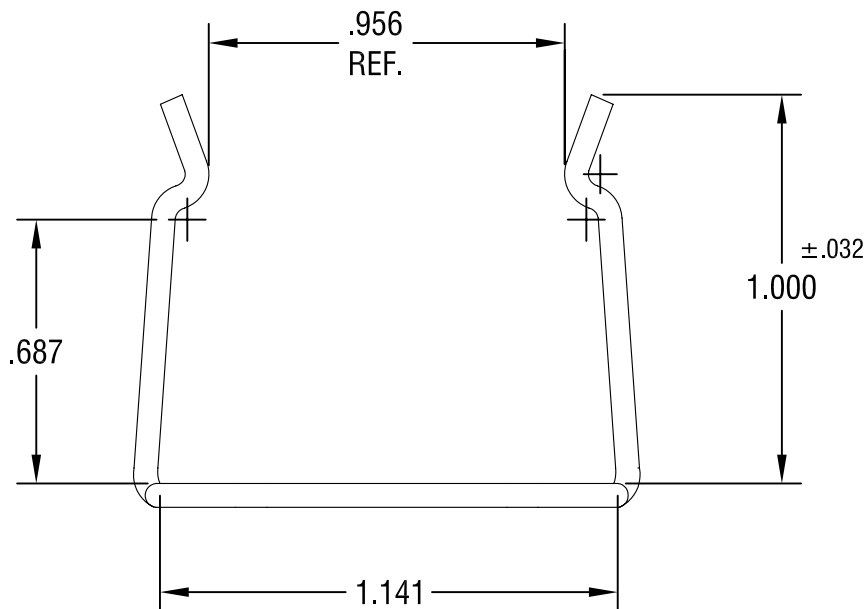
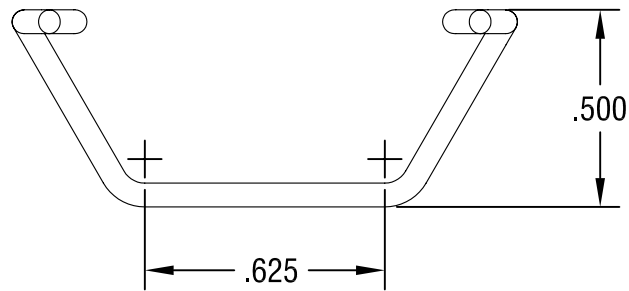


THIS DOCUMENT IS THE PROPERTY OF
KEYSTONE ELECTRONICS CORP. AND
SHALL NOT BE REPRODUCED, DISTRIBUTED
OR USED AS A BASIS FOR MANUFACTURE
WITHOUT PRIOR WRITTEN PERMISSION
FROM KEYSTONE ELECTRONICS CORP.



NOTE:

1. HEAT TREAT TO SPRING TEMPER.

KEYSTONE ELECTRONICS CORP.			
ASTORIA, N.Y. 11105-2017			
PART NAME		"D" CELL RETAINER CLIP	
MATERIAL		.062 DIA. MUSIC WIRE	
FINISH		DRN BY	DATE
NICKEL PLATE		NT	10.8.81
		APP'D	SCALE
		LN	2X
TOLERANCES		INCH	[MM]
DECIMAL		±.010	[±0.25]
ANGULAR		± 1°	
UNLESS OTHERWISE SPECIFIED		CODE	DWG NO.
		C	63

8.22.01	CHANGE AS PER ECN 01-056	A
DATE	DESCRIPTION	REV.