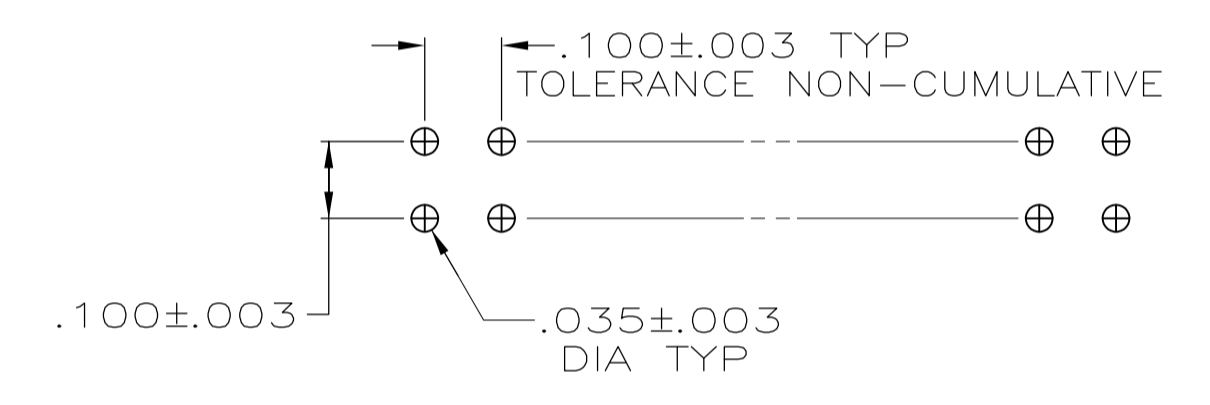
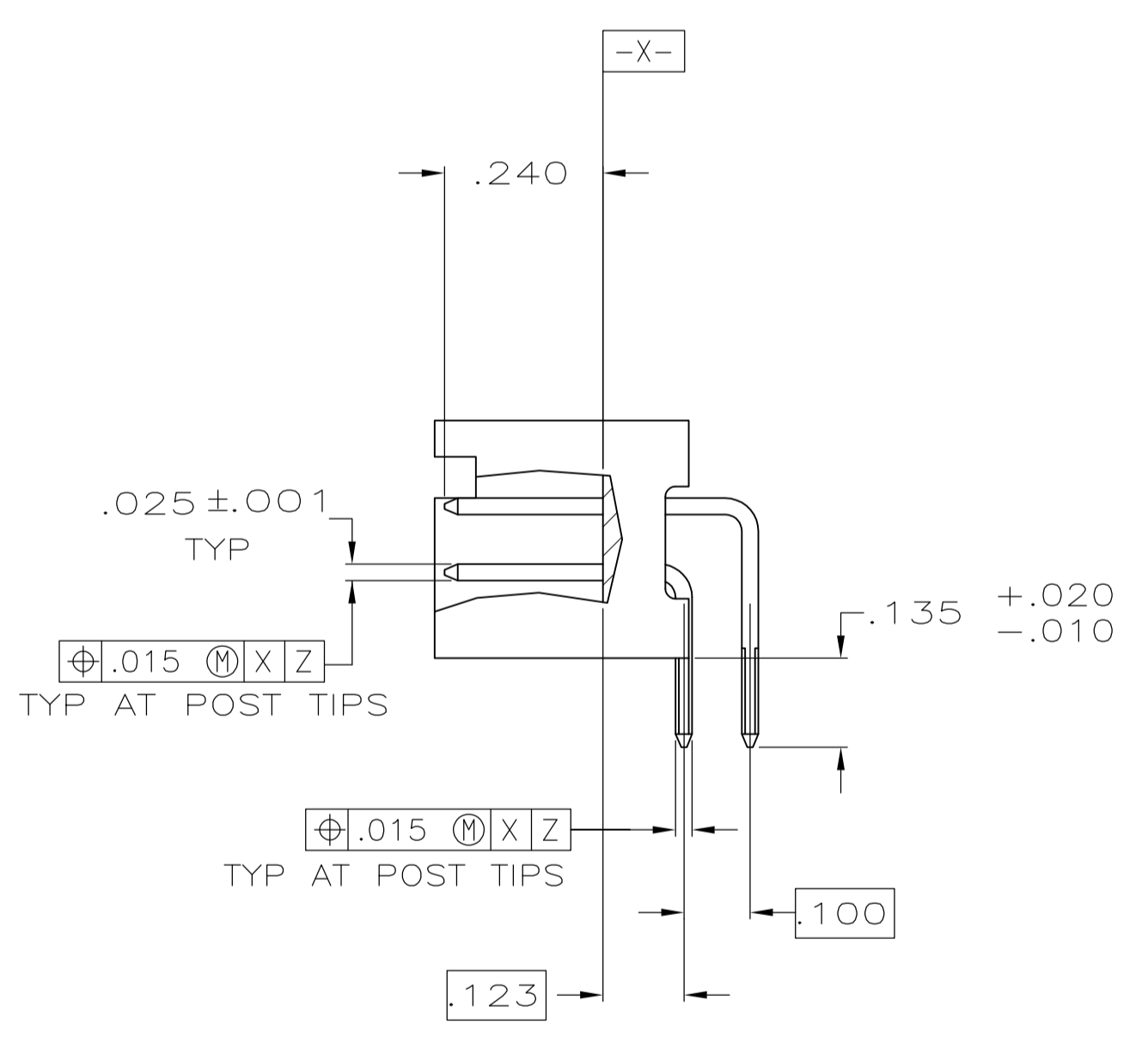
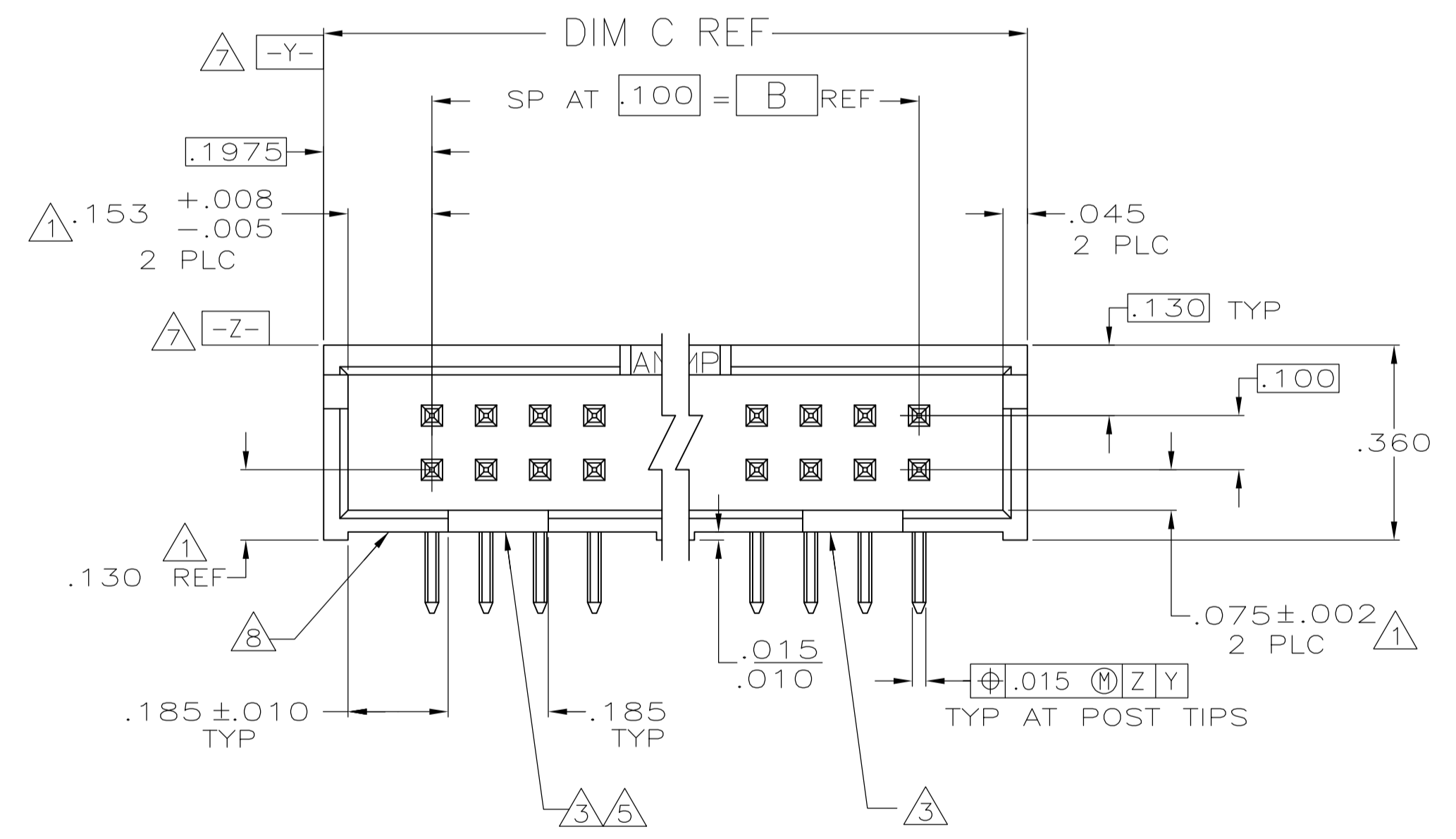
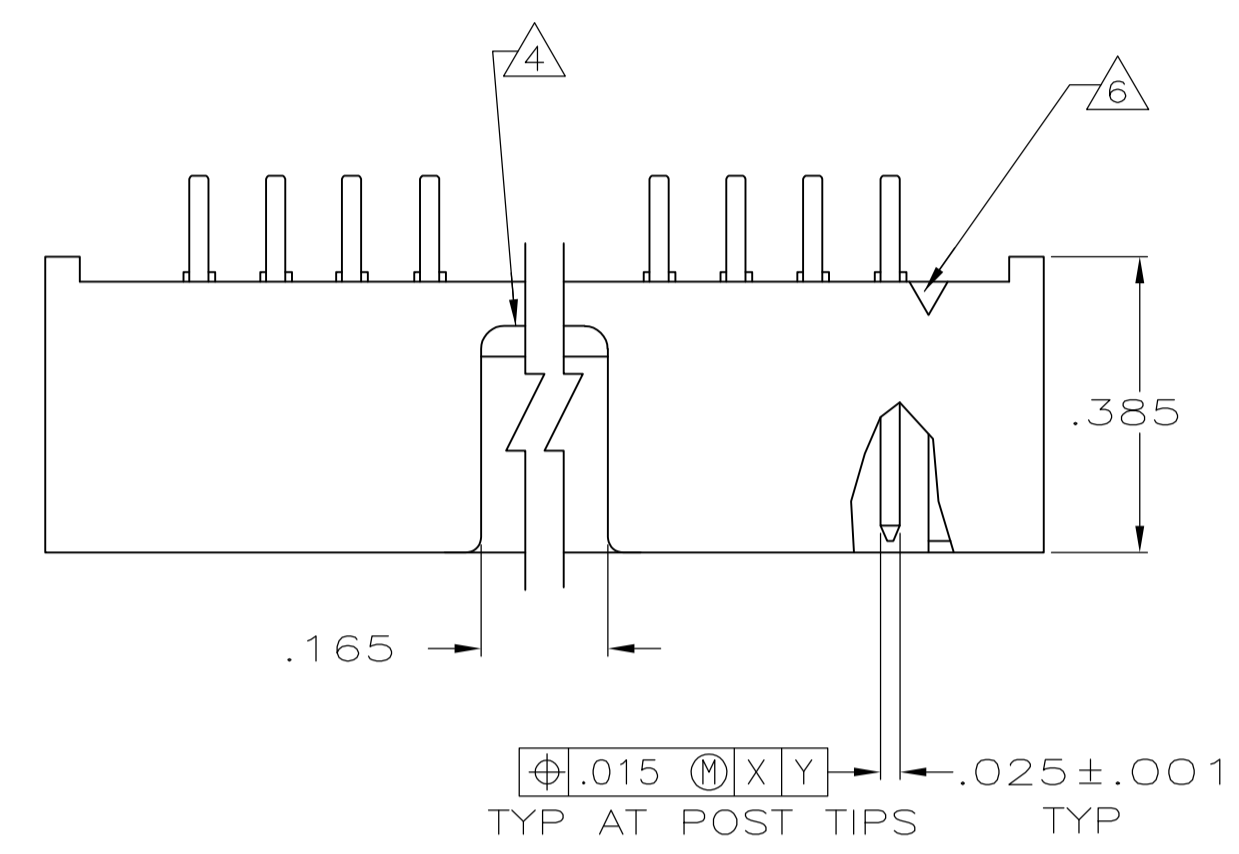


LOC		DIST		REVISIONS				
GP	00	REV	DATE	BY	APPV	DATE	BY	APPV
N	REVISED	PER	ECO-11-003735			17MAR2011	CJV	SLB

- 1 THE NOTED DIMENSIONS APPLY AT THE INTERSECTION OF THE POST AND HOUSING
- 2 POSTS: GOLD FLASH OVER PALLADIUM-NICKEL PLATE, .000015 MIN TOTAL ON THE MATING SURFACES, .000100 MIN TIN-LEAD PLATE ON THE SOLDER-TAILS, .000050 MIN NICKEL UNDERPLATE ON THE ENTIRE POST.
-OR-
.000015 MIN GOLD PLATE ON THE MATING SURFACES, .000100 MIN TIN-LEAD PLATE ON THE SOLDER-TAILS, .000050 MIN NICKEL UNDERPLATE ON THE ENTIRE POST.
- 3 DOUBLE BAR POLARIZATION
- 4 CENTER POLARIZATION SLOT
- 5 FOR 10 POSN ASSEMBLY, SLOT OMITTED WHERE INDICATED
- 6 NUMBER 1 POSITION INDICATOR.
- 7 DATUMS $-Y-$ AND $-Z-$ APPLY AT THE BASE OF THE SHROUD WALL.
- 8 OPTIONAL AMP IDENTIFICATION NUMBER (DATE CODE). LOCATION APPROXIMATELY WHERE SHOWN.



RECOMMENDED HOLE LAYOUT FOR MANUAL INSERTION

OBSOLETE	3.300	2.900	29	60	1-103310-2
OBSOLETE	3.100	2.700	27	56	1-103310-1
	2.800	2.400	24	50	1-103310-0
OBSOLETE	2.500	2.100	21	44	103310-9
	2.300	1.900	19	40	103310-8
	2.000	1.600	16	34	103310-7
	1.600	1.200	12	26	103310-6
	1.300	.900	9	20	103310-5
OBSOLETE	1.200	.800	8	18	103310-4
	1.100	.700	7	16	103310-3
	1.000	.600	6	14	103310-2
	.800	.400	4	10	103310-1
	C	B	A	NO OF POSN	ASSEMBLY PART NUMBER

THIS DRAWING IS A CONTROLLED DOCUMENT.

DIMENSIONS: INCHES

TOLERANCES UNLESS OTHERWISE SPECIFIED:

0 PLC	± .005
1 PLC	± .003
2 PLC	± .002
3 PLC	± .001
4 PLC	± .0005
ANGLES	± .005

MATERIAL: HOUSING: GLASS FILLED NYLON OR PBT, BLACK; POSTS: BRASS

FINISH: Δ

REVISED: 8-27-87 BY: H. MOLL

REVISED: 9-4-87 BY: A. MAYER

REVISED: 9-4-87 BY: R. FLICKER

NAME: HEADER ASSY, LOW PROFILE, AMP-LATCH

PRODUCT SPEC: 108-40018

APPLICATION SPEC: -

SIZE: A1

WEIGHT: -

CAGE CODE: 00779

DRAWING NO: 103310

RESTRICTED TO: -

CUSTOMER DRAWING

SCALE: 4:1

SHEET: 1 OF 1

REV: N

STE TE Connectivity