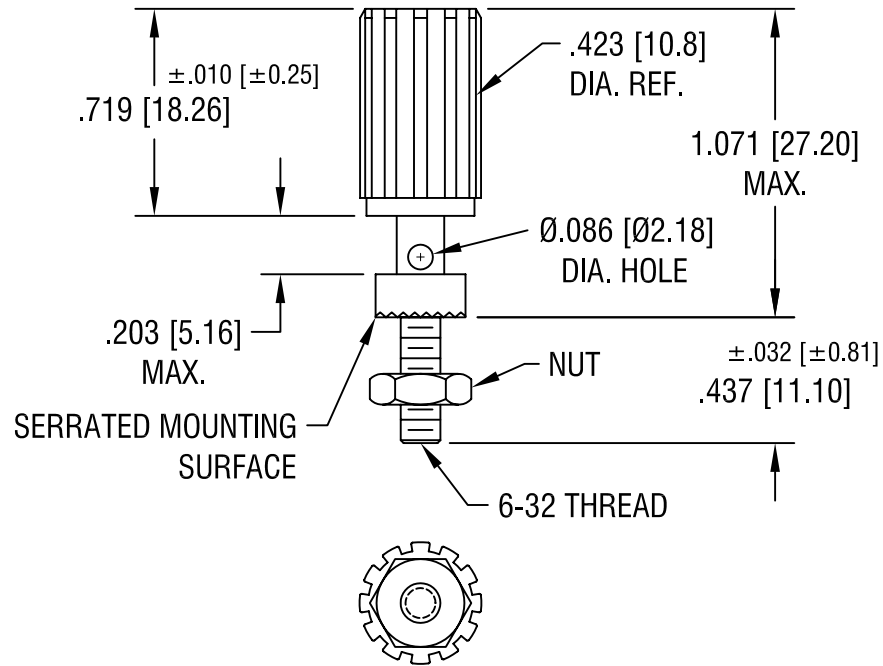


THIS DOCUMENT IS THE PROPERTY OF
KEYSTONE ELECTRONICS CORP. AND
SHALL NOT BE REPRODUCED, DISTRIBUTED
OR USED AS A BASIS FOR MANUFACTURE
WITHOUT PRIOR WRITTEN PERMISSION
FROM KEYSTONE ELECTRONICS CORP.



NOTES:

1. MAT'L:

STUD: BRASS, NICKEL PLATE
INSULATION: NYLON
NUT: STEEL, NICKEL PLATE

PART NO.	COLOR
7006	RED
7007	BLACK

KEYSTONE ELECTRONICS CORP.			
ASTORIA, N.Y. 11105-2017			
PART NAME		UNINSULATED BINDING POST	
MATERIAL		AS NOTED	
FINISH	AS NOTED	DRN BY	BOONE
		APP'D	LN
		DATE	1.4.82
		SCALE	1.5X
TOLERANCES	INCH [MM]	CODE	DWG NO.
DECIMAL	± .005 [± 0.15]	C/M	7006-7007
ANGULAR	± 1°		
UNLESS OTHERWISE SPECIFIED			

11.9.94	REVISED	A
DATE	DESCRIPTION	REV.