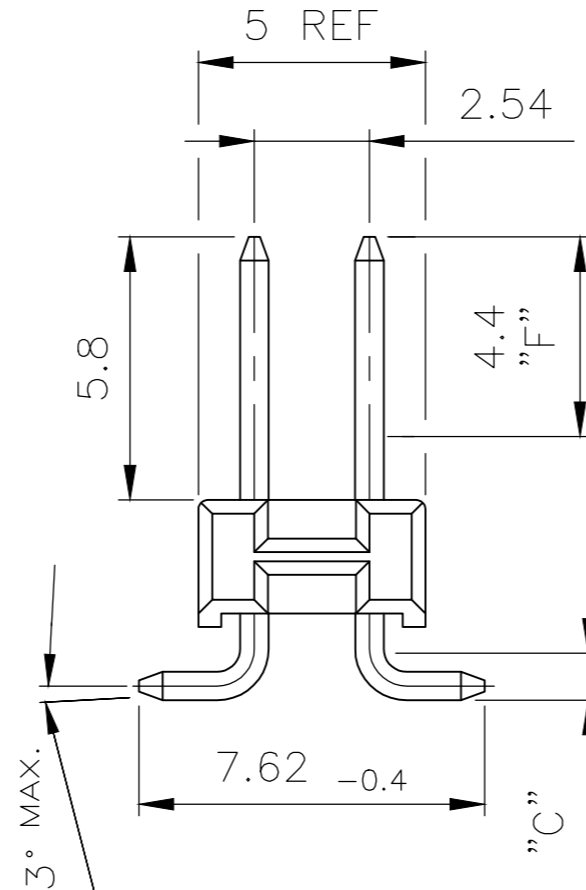
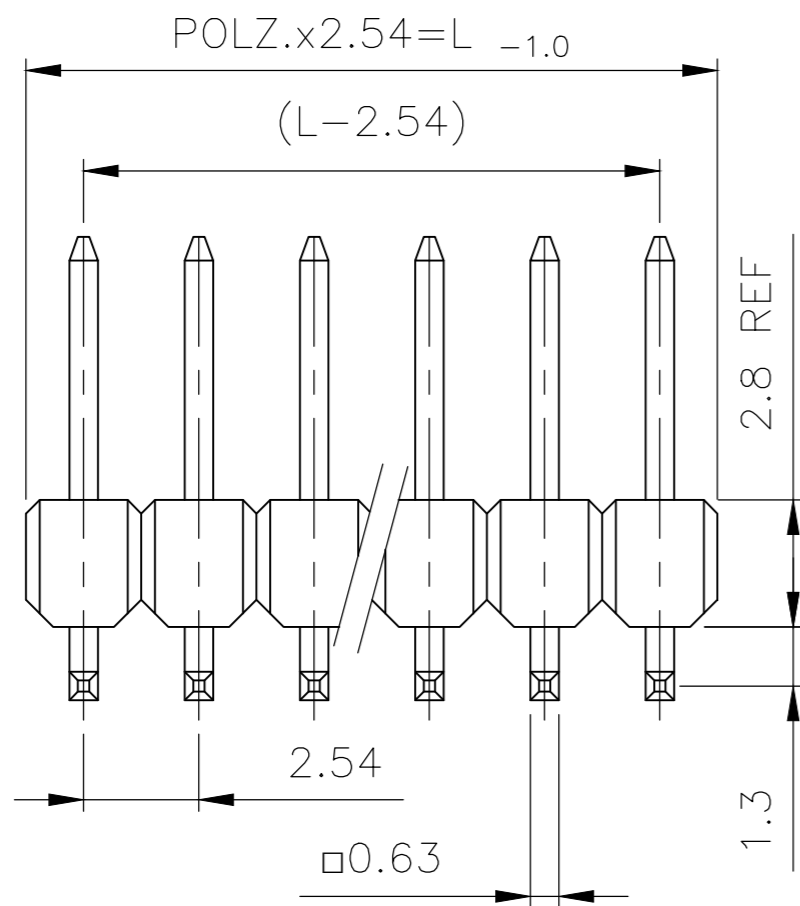
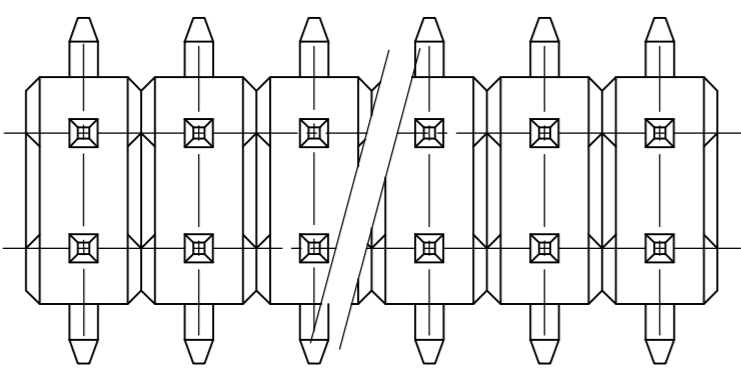
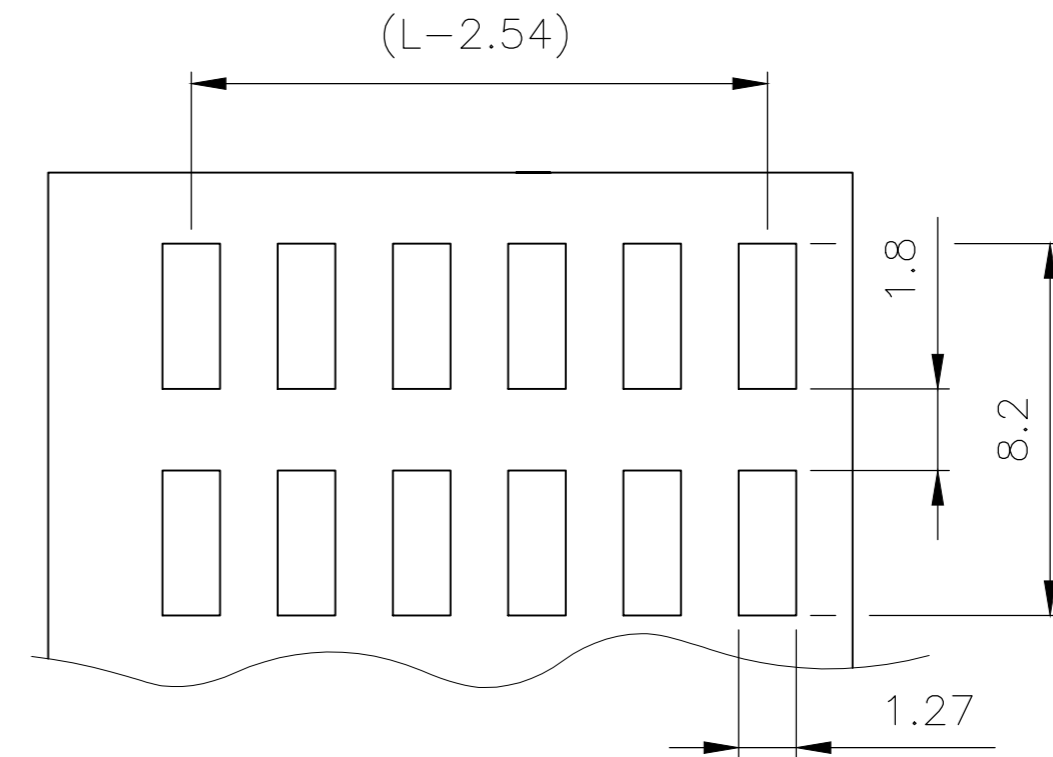


REVISIONS				
P	LTR	DESCRIPTION	DATE	APVD
B1		Reel dia change to 380mm for 2 parts	28JUN2018	KJK PS

Pos.	L <sub>-1.0</sub>
2	5,08
3	7,62
4	10,16
5	12,7
6	15,24
7	17,78
8	20,32
9	22,86
10	25,4
11	27,94
12	30,48
13	33,02
14	35,56
15	38,1
16	40,64
17	43,18



EMPFHOLENES LEITERPLATTEN LAYOUT  
 RECOMMENDED PCB-LAYOUT



1 MATING SIDE: WITHIN THE RANGE "F" MIN. 0.7µm PdNi + MIN. 0.1µm GOLD FLASH OVER 1.27µm Ni  
 SOLDER SIDE: WITHIN THE RANGE "C" MIN. 3.0µm TIN OVER 1.27µm Ni  
 STECKSEITE: IM BEREICH "F" MIN. 0.7µm PdNi + MIN. 0.1µm GOLD ÜBER 1.27µm Ni  
 LÖTSEITE: IM BEREICH "C" MIN. 3.0µm ZINN ÜBER 1.27µm Ni

KONTAKTSTIFT / CONTACT PIN	Cu Zn	1	2
STIFTGEHÄUSE / PIN HOUSING	PCT-GV	SCHWARZ / BLACK	1
BENENNUNG EINZELTEIL PART DESCRIPTION	WERKSTOFF MATERIAL	OBERFLÄCHE / FARBE SURFACE / COLOR	SI No

THIS DRAWING IS A CONTROLLED DOCUMENT.		DWN F.REICHARDT 16-SEP-98	TE Connectivity Ltd.	
DIMENSIONS: mm		CHK M.SCHAARSCHMIDT 16-SEP-98	NAME AMPMODU II PIN HEADER PACKED IN BLISTER	
TOLERANCES UNLESS OTHERWISE SPECIFIED: TOL ± 0.2		APVD G.FELDMEIER	PRODUCT SPEC 108-18012	
MATERIAL SEE TABLE		FINISH SEE TABLE	SIZE A2	CAGE CODE 00779
		WEIGHT	DRAWING NO C=1241050	RESTRICTED TO
		CUSTOMER DRAWING	SCALE 6:1	SHEET 1 of 3
			REV B1	

4

3

2

1

THIS DRAWING IS UNPUBLISHED. RELEASED FOR PUBLICATION SEP., 1998. ALL RIGHTS RESERVED. © COPYRIGHT 2010 By -

M1:2

330 REF

11.5±0.3

Y

3

VIEW Y  
ANSICHT Y

4 REF

16

4

B

A

X SEE SHEET 2 OF 2  
SIEHE SEITE 2 VON 2

REVISIONS

P	LTR	DESCRIPTION	DATE	DWN	APVD
-	-	SEE SHEET 1	-	-	-

NOTES:

Ⓐ SEE SHEET 1 OF 3

Ⓙ PACKING: 350 PINHEADERS WITH ADAPTER PER REEL  
6.8m BLISTER PER REEL  
6.8m COVER TAPE

Ⓜ DIRECTION OF THE TOP OF THE REEL

Ⓝ COVER TAPE WITH BLISTER BELT WELDED

5. PACKING ACCORDING DIN/IEC 286 RESPECTIVE EIA 481  
INCLUSIVE DECLARATIONS ABOUT THE FIRST AND LAST RUNNING  
(DIN/IEC 286 PART 3)

6. ARRANGEMENT OF PIN HEADERS IN BLISTER BELT SEE SHEET 2 OF 3

Ⓒ PACKING: 300 PINHEADERS WITH ADAPTER PER REEL  
6.0m BLISTER PER REEL  
6.0m COVER TAPE

Ⓘ OBSOLETE

Ⓚ FOR PN 1-1241050-2 AND 1-1241050-3 PACKAGING REEL DIAMETER IS 380mm REF.

BEMERKUNGEN:

Ⓐ SIEHE BLATT 1 VON 3

Ⓙ VERPACKUNG: 350 STIFTLAISTEN MIT ADAPTER PRO SPULE  
6.8m BLISTER PRO SPULE  
6.8m ABDECKFOLIE PRO SPULE

Ⓜ ABWICKELRICHTUNG

Ⓝ ABDECKFOLIE MIT BLISTERGURT VERSCHWEIÑT

5. VERPACKUNG ENTSPRECHEND DIN/IEC 286 BZW. EIA 481  
INKLUSIVE ANGABEN ÜBER DEN VOR- UND NACHLAUF  
(DIN/IEC 286 TEIL 3)

6. ANORDNUNG DER STIFTLAISTEN IM BLISTERGURT SIEHE BLATT 2 VON 3

Ⓒ VERPACKUNG: 300 STIFTLAISTEN MIT ADAPTER PRO SPULE  
6.0m BLISTER PRO SPULE  
6.0m ABDECKFOLIE PRO SPULE

Ⓘ OBSOLET

Ⓚ FÜR PN 1-1241050-2 UND 1-1241050-3 VERPACKUNGSROLLENMESSER IST 380MM REF

1																	5	AMPMODU II PIN HEADER,SMD,2x17pos AMPMODU II STIFTLAISTE,SMD, 2x17pol.	Ⓐ	Ⓐ	
	1																5	AMPMODU II PIN HEADER,SMD,2x16pos AMPMODU II STIFTLAISTE,SMD, 2x16pol.	Ⓐ	Ⓐ	
		1															5	AMPMODU II PIN HEADER,SMD,2x15pos AMPMODU II STIFTLAISTE,SMD, 2x15pol.	Ⓐ	Ⓐ	
			1														5	AMPMODU II PIN HEADER,SMD,2x14pos AMPMODU II STIFTLAISTE,SMD, 2x14pol.	Ⓐ	Ⓐ	
				1													5	AMPMODU II PIN HEADER,SMD,2x13pos AMPMODU II STIFTLAISTE,SMD, 2x13pol.	Ⓐ	Ⓐ	
					1												5	AMPMODU II PIN HEADER,SMD,2x12pos AMPMODU II STIFTLAISTE,SMD, 2x12pol.	Ⓐ	Ⓐ	
						1											5	AMPMODU II PIN HEADER,SMD,2x11pos AMPMODU II STIFTLAISTE,SMD, 2x11pol.	Ⓐ	Ⓐ	
							1										5	AMPMODU II PIN HEADER,SMD,2x10pos AMPMODU II STIFTLAISTE,SMD, 2x10pol.	Ⓐ	Ⓐ	
								1									5	AMPMODU II PIN HEADER,SMD,2x9pos AMPMODU II STIFTLAISTE,SMD, 2x9pol.	Ⓐ	Ⓐ	
									1								5	AMPMODU II PIN HEADER,SMD,2x8pos AMPMODU II STIFTLAISTE,SMD, 2x8pol.	Ⓐ	Ⓐ	
										1							5	AMPMODU II PIN HEADER,SMD,2x7pos AMPMODU II STIFTLAISTE,SMD, 2x7pol.	Ⓐ	Ⓐ	
											1						5	AMPMODU II PIN HEADER,SMD,2x6pos AMPMODU II STIFTLAISTE,SMD, 2x6pol.	Ⓐ	Ⓐ	
												1					5	AMPMODU II PIN HEADER,SMD,2x5pos AMPMODU II STIFTLAISTE,SMD, 2x5pol.	Ⓐ	Ⓐ	
													1				5	AMPMODU II PIN HEADER,SMD,2x4pos AMPMODU II STIFTLAISTE,SMD, 2x4pol.	Ⓐ	Ⓐ	
														1			5	AMPMODU II PIN HEADER,SMD,2x3pos AMPMODU II STIFTLAISTE,SMD, 2x3pol.	Ⓐ	Ⓐ	
															1		5	AMPMODU II PIN HEADER,SMD,2x2pos AMPMODU II STIFTLAISTE,SMD, 2x2pol.	Ⓐ	Ⓐ	
	1	1	1	1	1	1	1	1	1	1	1	1	1	1	-		4	ADAPTER	LCP	BLACK / SCHWARZ	
	-	-	-	-	-	-	-	-	-	-	-	-	-	-	1		4	ADAPTER	LCP	BLACK / SCHWARZ	
	Ⓒ	Ⓒ	Ⓒ	Ⓒ	Ⓒ	Ⓒ	Ⓒ	Ⓒ									3	COVER TAPE/ABDECKFOLIE B=49.4	PET	TRANSPARENT	
									Ⓒ	Ⓒ	Ⓒ						3	COVER TAPE/ABDECKFOLIE B=37.4	PET	TRANSPARENT	
											Ⓒ	Ⓒ	Ⓒ	Ⓒ			3	COVER TAPE/ABDECKFOLIE B=25.4	PET	TRANSPARENT	
												Ⓒ	Ⓒ	Ⓒ	Ⓒ		3	COVER TAPE/ABDECKFOLIE B=13.4	PET	TRANSPARENT	
		Ⓒ	Ⓒ	Ⓒ	Ⓒ	Ⓒ	Ⓒ										2	BLISTER BELT/BLISTERGURT A=56.0	PS	BLACK / SCHWARZ	
								Ⓒ	Ⓒ	Ⓒ							2	BLISTER BELT/BLISTERGURT A=44.0	PS	BLACK / SCHWARZ	
											Ⓒ	Ⓒ	Ⓒ	Ⓒ			2	BLISTER BELT/BLISTERGURT A=32.0	PS	BLACK / SCHWARZ	
													Ⓒ	Ⓒ			2	BLISTER BELT/BLISTERGURT A=16.0	PS	BLACK / SCHWARZ	
	Ⓒ	Ⓒ	Ⓒ	Ⓒ	Ⓒ	Ⓒ	Ⓒ										1	REEL C=62.4	PS	GREY/GRAU	
								Ⓒ	Ⓒ	Ⓒ							1	REEL C=50.4	PS	GREY/GRAU	
											Ⓒ	Ⓒ	Ⓒ	Ⓒ			1	REEL C=38.4	PS	GREY/GRAU	
														Ⓒ			1	REEL C=22.4	PS	GREY/GRAU	
	1-7	1-6	1-5	1-4	1-3	1-2	1-1	1-0	-9	-8	-7	-6	-5	-4	-3	-2	POS.	DESCRIPTION / BENENNUNG		MATERIAL	SURFACE / COLOR

THIS DRAWING IS A CONTROLLED DOCUMENT.

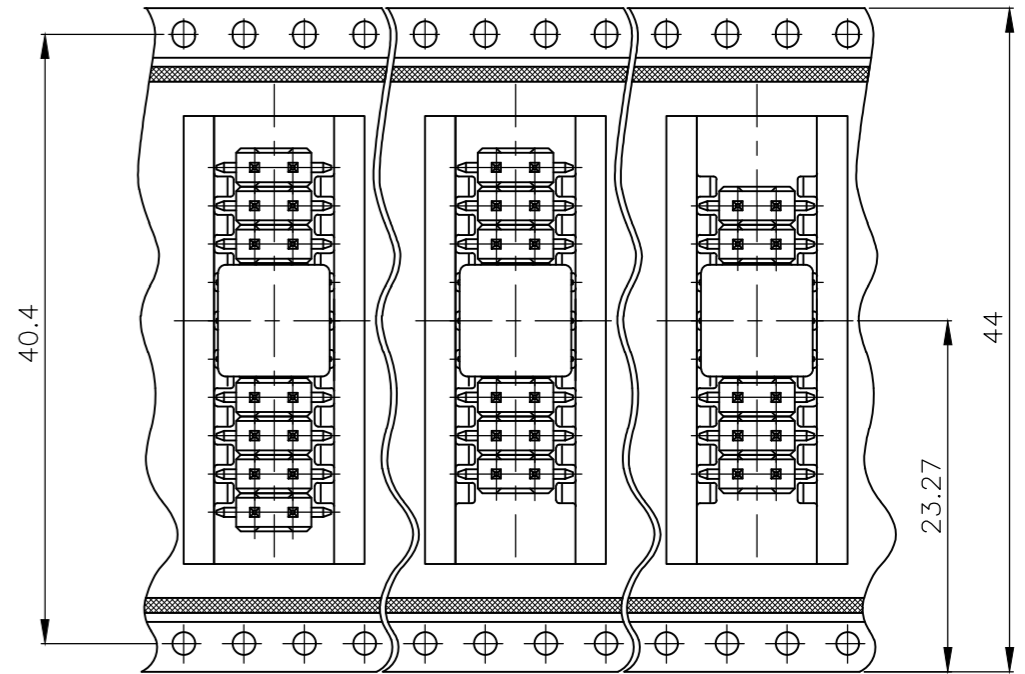
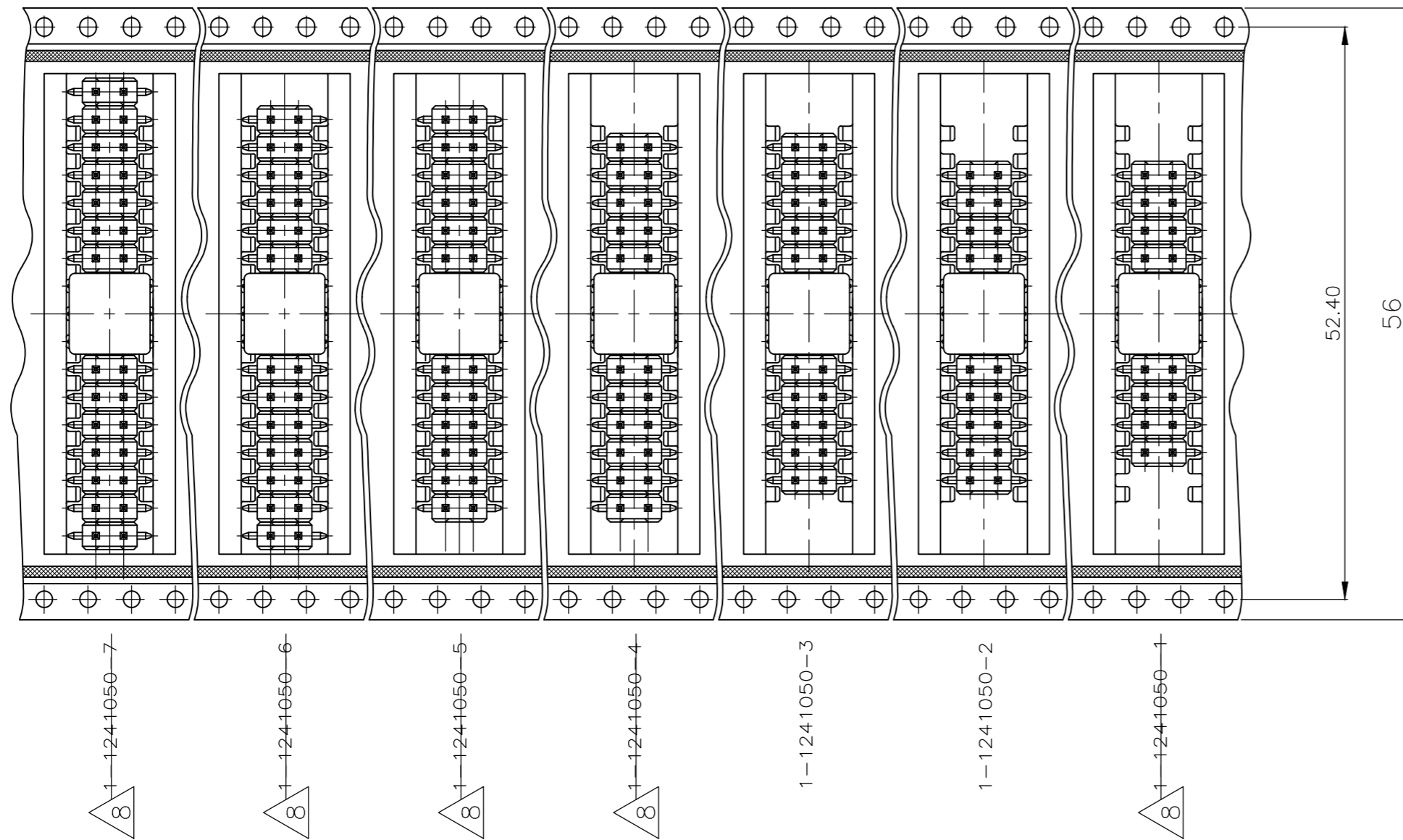
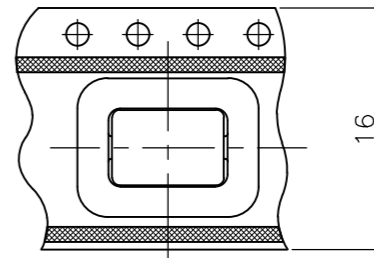
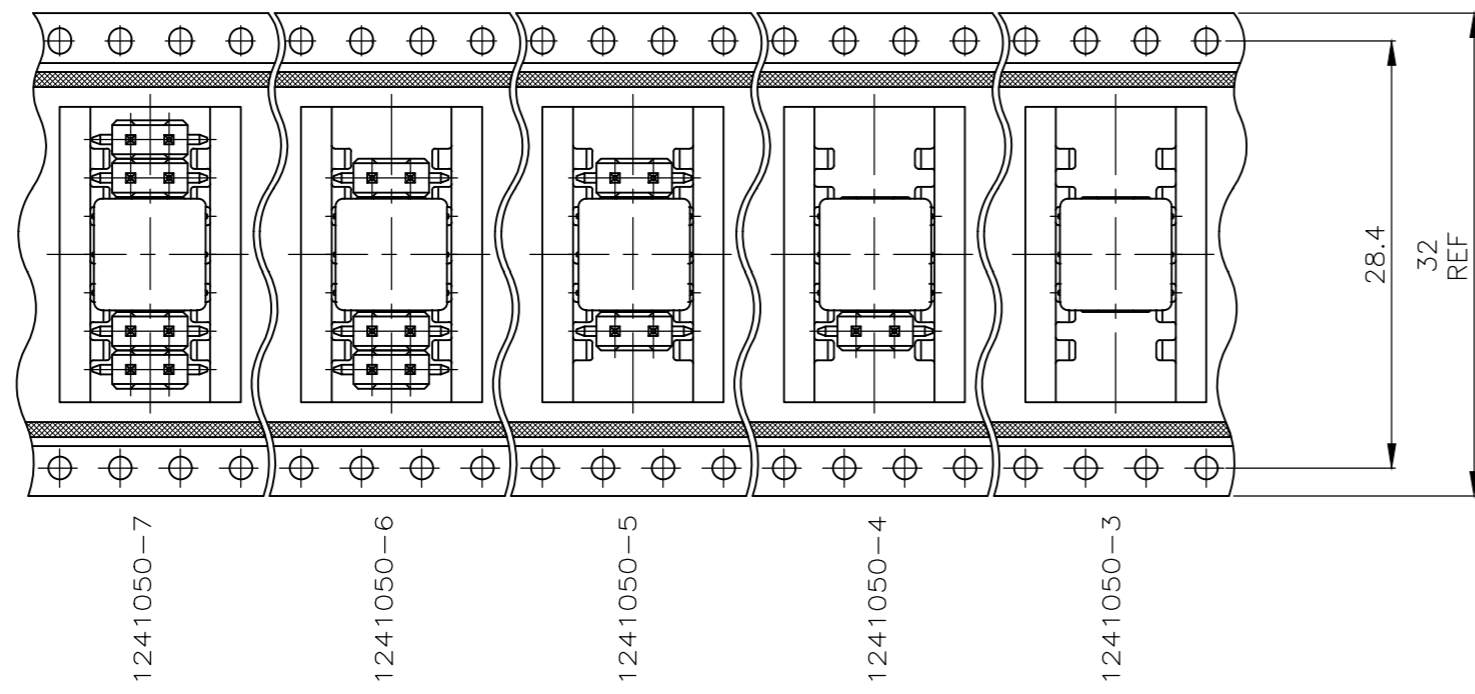
DIMENSIONS: mm		TOLERANCES UNLESS OTHERWISE SPECIFIED:		DWN F. REICHARDT 16-SEP-98	
<p>0 PLC ± 0.2</p> <p>1 PLC ± 0.1</p> <p>2 PLC ± 0.1</p> <p>3 PLC ± -</p> <p>4 PLC ± -</p> <p>ANGLES ± -</p>		<p>FINISH SEE TABLE SIEHE TABELLE</p>		CHK M. SCHAARSCHMIDT 16-SEP-98	NAME G. FELDMEIER
<p>108-18012</p>		<p>PRODUCT SPEC APPLICATION SPEC</p>		<p>AMPMODU II PIN HEADER PACKED IN BLISTER</p>	
MATERIAL SEE TABLE SIEHE TABELLE		WEIGHT		SIZE A2	CAGE CODE 00779
CUSTOMER DRAWING		SCALE 1:1		DRAWING NO. C-1241050	
REVISIONS		RESTRICTED TO		REV B1	


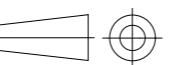
TE Connectivity Ltd.

1471-9 (1/15)

THIS DRAWING IS UNPUBLISHED. RELEASED FOR PUBLICATION SEP. 1998.  
 © COPYRIGHT 2010 By - ALL RIGHTS RESERVED.

REVISIONS				
P	LTR	DESCRIPTION	DATE	APVD
-	-	SEE SHEET 1	-	-



THIS DRAWING IS A CONTROLLED DOCUMENT.		DWN F. REICHARDT 16-SEP-98	 TE Connectivity Ltd.	
DIMENSIONS: mm		CHK M. SCHAARSCHMIDT 16-SEP-98		
		APVD G. FELDMEIER - NAME	AMP MODU II PIN HEADER PACKED IN BLISTER	
TOLERANCES UNLESS OTHERWISE SPECIFIED:		PRODUCT SPEC 108-18012	SIZE	RESTRICTED TO
0 PLC	± 0.2	APPLICATION SPEC	CAGE CODE	DRAWING NO.
1 PLC	± 0.1	WEIGHT	A2 00779	C-1241050
2 PLC	± 0.1	MATERIAL	SCALE	SHEET
3 PLC	± -	FINISH	1:1	3 of 3
4 PLC	± -			REV
ANGLES	± -	CUSTOMER DRAWING		B1