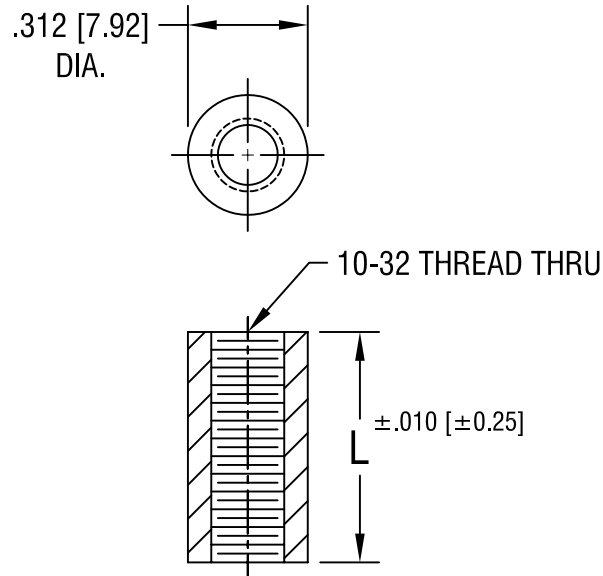


THIS DOCUMENT IS THE PROPERTY OF  
KEYSTONE ELECTRONICS CORP. AND  
SHALL NOT BE REPRODUCED, DISTRIBUTED  
OR USED AS A BASIS FOR MANUFACTURE  
WITHOUT PRIOR WRITTEN PERMISSION  
FROM KEYSTONE ELECTRONICS CORP.



| PART NO. | 'L' DIM.     |
|----------|--------------|
| 467      | .250 [6.35]  |
| 468      | .375 [9.52]  |
| 469      | .500 [12.70] |
| 470      | .750 [19.05] |
| 471      | 1.000 [25.4] |

**KEYSTONE ELECTRONICS CORP.**

ASTORIA, N.Y. 11105-2017

PART NAME

THREADED ROUND STANDOFF

MATERIAL

PHENOLIC

FINISH

-

DRN BY

BOONE

DATE

2.6.97

APP'D

SCALE

2X

TOLERANCES

INCH

[MM]

CODE

DWG NO.

DECIMAL ± .005 [± 0.15]

C/M

ANGULAR ± 1°  
UNLESS OTHERWISE SPECIFIED

467-471

DATE

DESCRIPTION

REV.