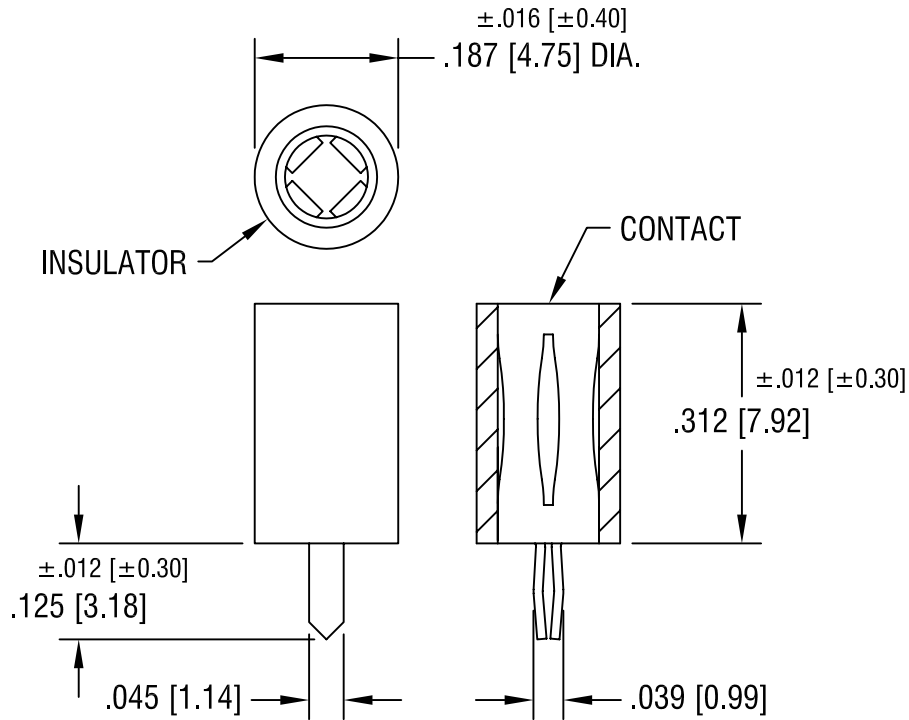


THIS DOCUMENT IS THE PROPERTY OF
KEYSTONE ELECTRONICS CORP. AND
SHALL NOT BE REPRODUCED, DISTRIBUTED
OR USED AS A BASIS FOR MANUFACTURE
WITHOUT PRIOR WRITTEN PERMISSION
FROM KEYSTONE ELECTRONICS CORP.



PART NO.	BODY COLOR
6042	WHITE
6043	RED
6044	BLACK
6045	YELLOW
6046	GREEN
6047	BLUE

NOTES:

- INSULATOR:
MAT'L - NYLON 6/6
- CONTACT :
MAT'L - BERYLLIUM COPPER, SILVER PLATE

DATE	DESCRIPTION	REV.
4.29.08	CHANGE AS PER ECN 08-103	C
4.18.08	CHANGE AS PER ECN 08-102	B
8.24.07	CHANGE AS PER ECN 07-048	A

KEYSTONE ELECTRONICS CORP.			
ASTORIA, N.Y. 11105-2017			
PART NAME SNAP-IN VERTICAL PC TEST JACK			
MATERIAL AS NOTED			
FINISH AS NOTED		DRN BY BOONE	DATE 12.6.06
		APP'D LN	SCALE 4X
TOLERANCES DECIMAL ANGULAR	INCH [MM] $\pm .005 [\pm 0.15]$ $\pm 1^\circ$	CODE C	DWG NO. 6042 - 6047
UNLESS OTHERWISE SPECIFIED			