

4

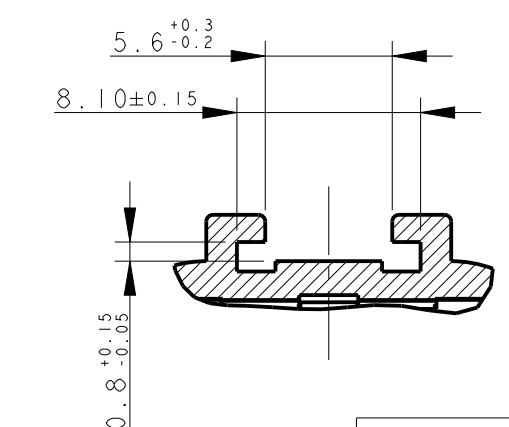
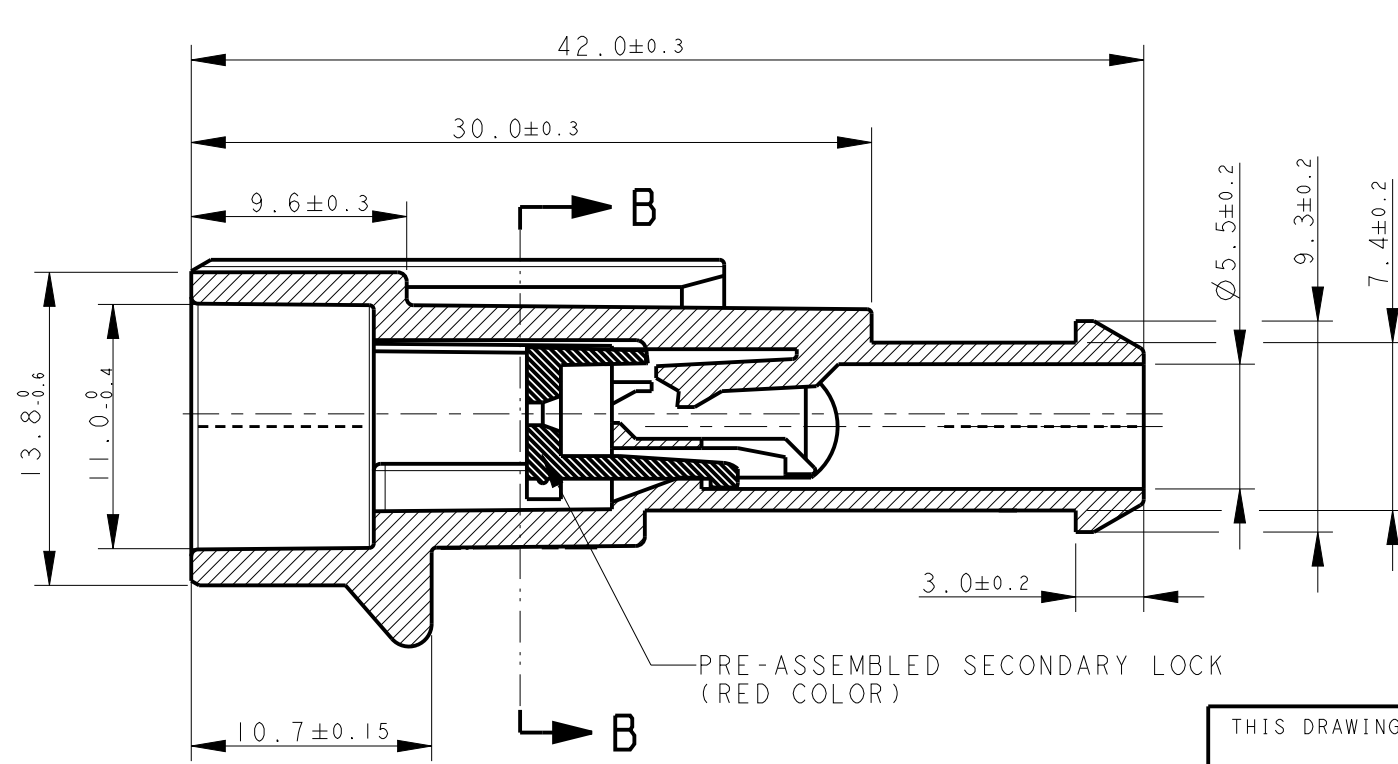
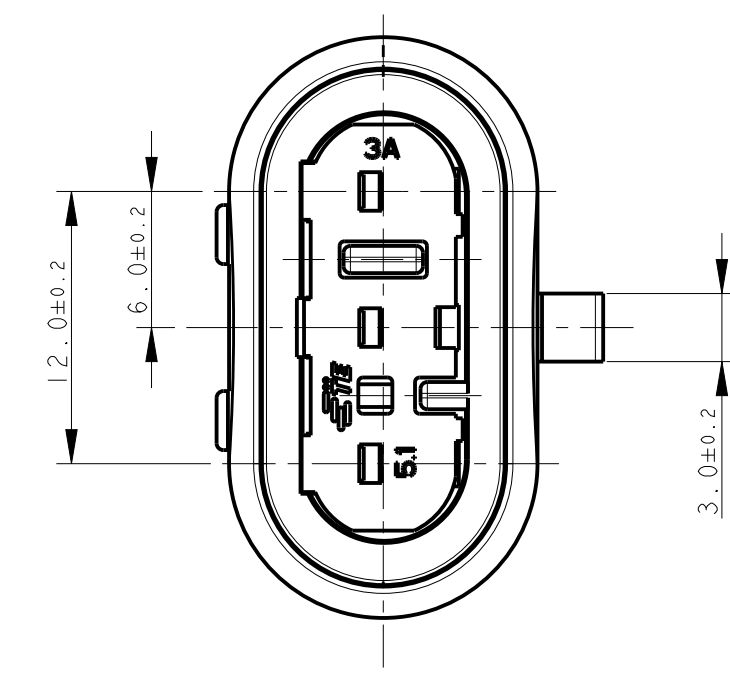
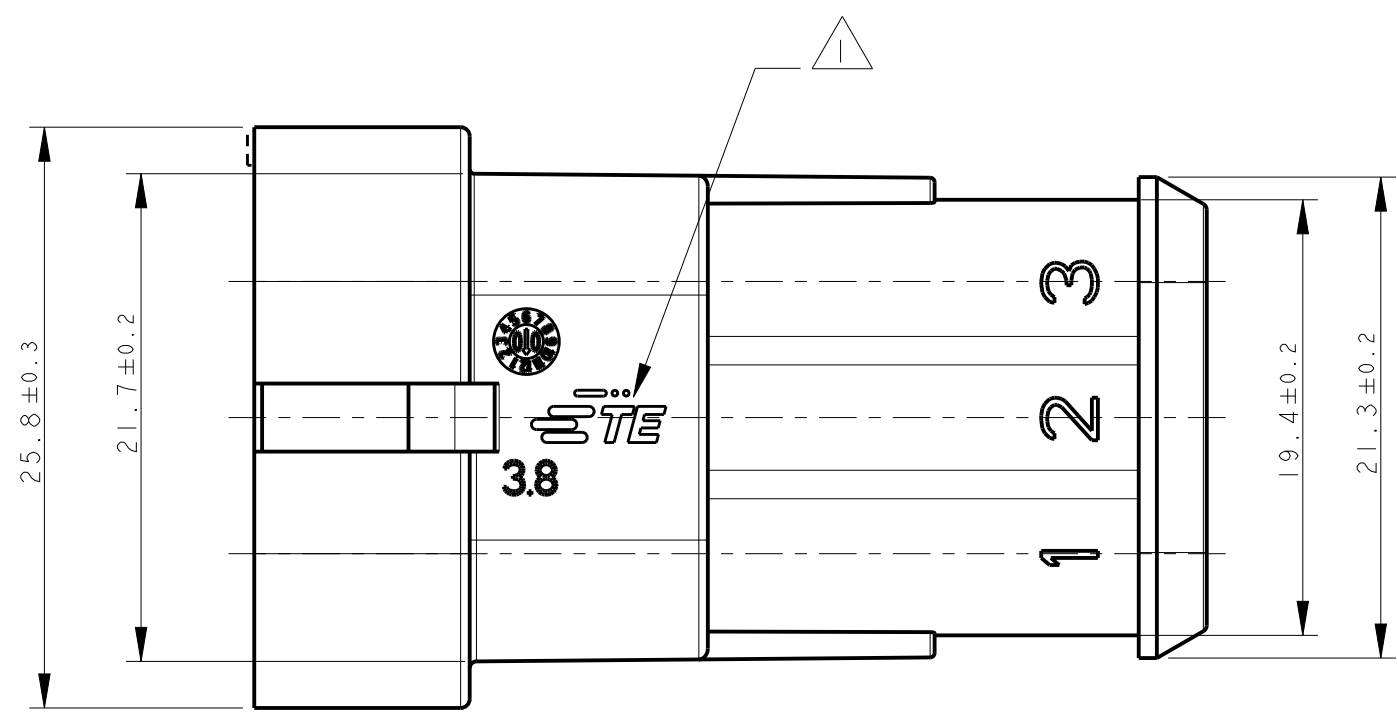
3

2

1

THIS DRAWING IS UNPUBLISHED. RELEASED FOR PUBLICATION 2009
 © COPYRIGHT 2009 BY - ALL RIGHTS RESERVED.

LOC	DIST	REVISIONS			
P	LTR	DESCRIPTION	DATE	DWN	APVD
	B1	REVISED PER ECO-11-005033	24MAR2011	RK	HMR
	B2	ECR-14-001837	18FEB2014	M.P.	M.G.



PART SECTION B-B

FINISH/COLOR	MATERIAL	PART NUMBER
GRAY	PA66-GF	282105-2
BLACK	PA66-GF	282105-1

LOGO "AMP" O, IN ALTERNATIVA, LOGO TYCO ELECTRONICS ("AMP" TRADE MARK OR, IN ALTERNATIVE, TE CONNECTIVITY TRADE MARK)

THIS DRAWING IS A CONTROLLED DOCUMENT.

DWN	C. BERTINI	02-1990
CHK	A. BRUNI	02-1990
APVD	-	-
PRODUCT SPEC	108-20090	
APPLICATION SPEC	-	
WEIGHT	-	
CUSTOMER DRAWING	SCALE	3:1

NAME		AMP SUPERSEAL 1.5 SRS. 3 POSITIONS TAB ASS'Y	
SIZE	CAGE CODE	DRAWING NO	RESTRICTED TO
A3	00779	C-282105	-
SHEET		OF	REV
1		1	B2