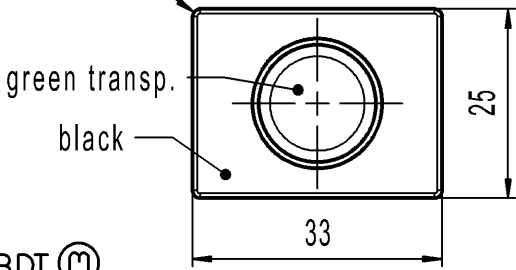
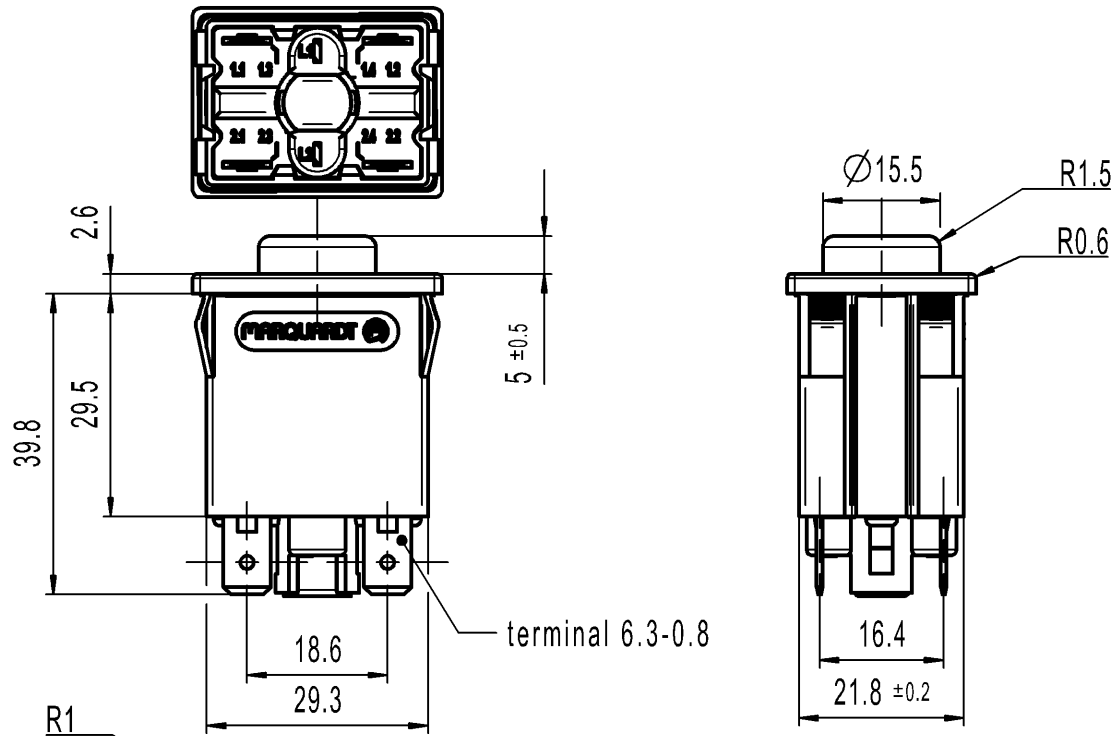
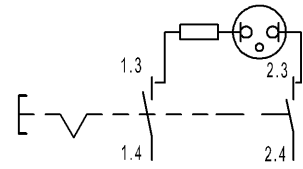


A	recommended cut-out for snap-in fixing (edge opposite to snap-in direction)	1	2	3	4	
				wall thickness	length of cut-out	width of cut-out
				0.75 ... 1	30+0.1	22.2+0.2
				>1 ... 1.5	30.2+0.1	22.2+0.2
		>1.5 ... 3	30.4+0.1	22.2+0.2		



"The IP-protection mentioned in our documents refers to the actuating side of the switch. The sealing between switch and customer appliance and the testing of the tightness have to be effected by the customer."



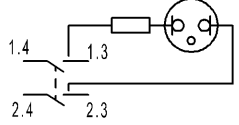
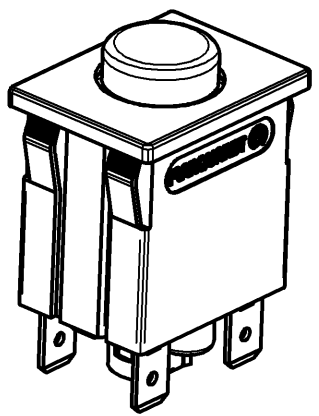
Marking
MARQUARDT

1660.
16(4)/250~ T85/55



DPST

Rubber seal between actuator and housing
Neon lamp with Rv for 230 V AC
Total travel 4 ± 0.4
Suitable for appliances of class II
Actuating side protected acc. to
DIN 40 050, IP54



Code of manufacture:
place/year/week

-		-		-		1660.5202-XX				
Figure		Type		Customer No.		Art.No.-PI				
General tolerances										
All dimensions are in millimetres	Shape and location 	Angle ± 2 °	Edge tolerance 	Length	Radii	Sheet 01	Ident. K			
				0-6	± 0.2			± 0.2	Document number 16605202	
				>6-15	± 0.4			±		Index k
				>15-30	± 0.4			±		
				>30-70	± 0.6			±		
				>70-120	±			±		
>120	±	±								
k	131663	2020-09-08	PANDHAREA		Format A4		Appliance Switch			
j	36501	2003-10-27	VOR		Projection 					
i	32547	2002-05-21	WJ		Scale 1:1					
h	28075	1999-10-12	MUT		System NX V11.0					
Index	MEC-No.	Date (YYYY-MM-DD)	Edited by		Replacement of Zg.gl.Nr.v.14.09.1995					