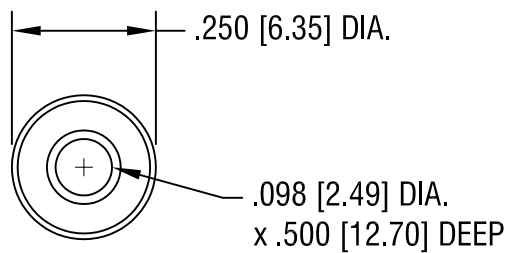
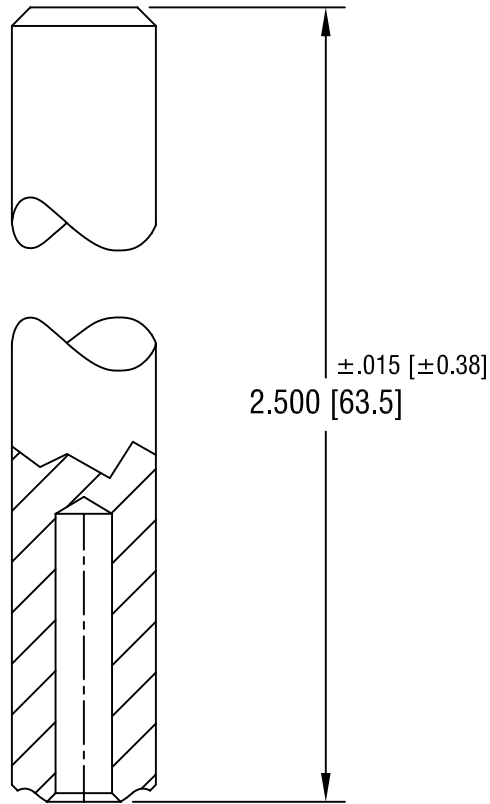


THIS DOCUMENT IS THE PROPERTY OF  
KEYSTONE ELECTRONICS CORP. AND  
SHALL NOT BE REPRODUCED, DISTRIBUTED  
OR USED AS A BASIS FOR MANUFACTURE  
WITHOUT PRIOR WRITTEN PERMISSION  
FROM KEYSTONE ELECTRONICS CORP.



**KEYSTONE ELECTRONICS CORP.**

ASTORIA, N.Y. 11105-2017

PART NAME				STAKING TOOL			
MATERIAL				C.R.S.			
FINISH		ZINC PLATE		DRN BY	BOONE	DATE	12.14.81
				APP'D	LN	SCALE	3X
TOLERANCES		INCH [MM]		CODE		DWG NO.	
DECIMAL		± .005 [± 0.15]		C		1324	
ANGULAR		± 1°		UNLESS OTHERWISE SPECIFIED			

7.31.07 | CHANGE AS PER ECN 07-042

B

DATE | DESCRIPTION

REV.