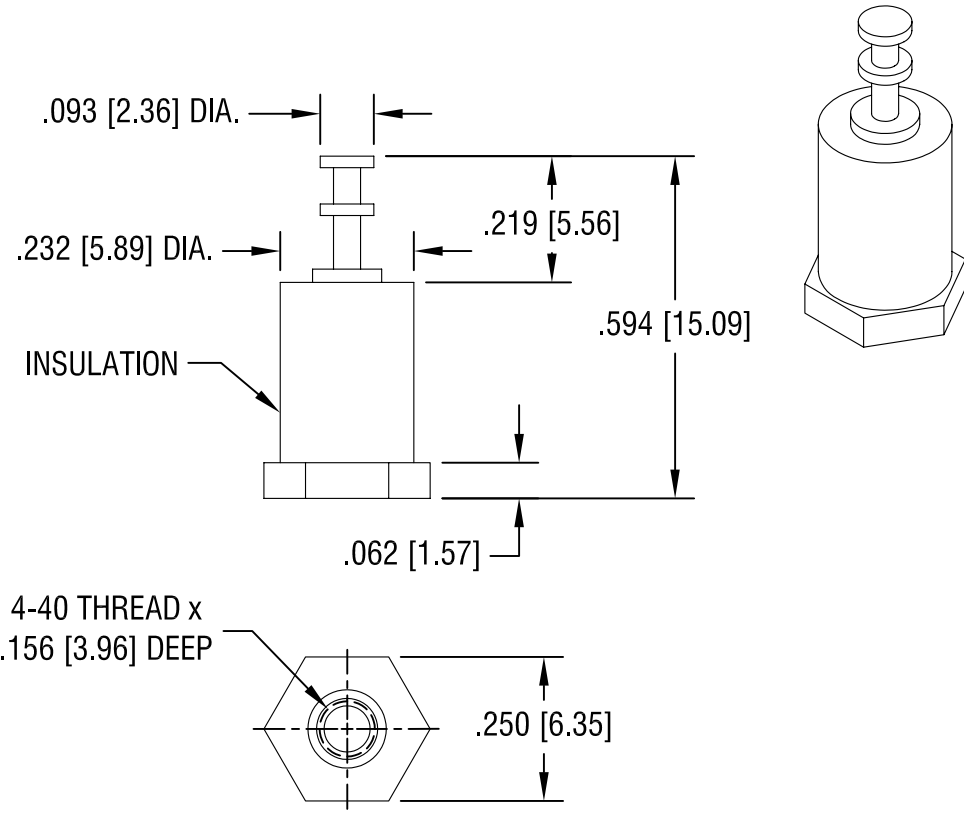


THIS DOCUMENT IS THE PROPERTY OF  
KEYSTONE ELECTRONICS CORP. AND  
SHALL NOT BE REPRODUCED, DISTRIBUTED  
OR USED AS A BASIS FOR MANUFACTURE  
WITHOUT PRIOR WRITTEN PERMISSION  
FROM KEYSTONE ELECTRONICS CORP.



NOTES:

1. TERMINAL: MAT'L - BRASS  
FINISH: TIN
2. INSULATION: MAT'L - DIALLYL PHTHALATE  
COLOR: BLUE
3. BASE: MAT'L - BRASS  
FINISH: TIN

|                                   |                 |                            |              |
|-----------------------------------|-----------------|----------------------------|--------------|
| <b>KEYSTONE ELECTRONICS CORP.</b> |                 |                            |              |
| ASTORIA, N.Y. 11105-2017          |                 |                            |              |
| PART NAME                         |                 | INSULATED THREADED TURRETS |              |
| MATERIAL                          |                 | AS NOTED                   |              |
| FINISH                            |                 | DRN BY                     | DATE         |
| AS NOTED                          |                 | N.T.                       | 5.03.07      |
|                                   |                 | APP'D                      | SCALE        |
|                                   |                 |                            | 3X           |
| TOLERANCES                        | INCH [MM]       | CODE                       | DWG NO.      |
| DECIMAL                           | ± .005 [± 0.15] | C/M                        | <b>11512</b> |
| ANGULAR                           | ± 1°            |                            |              |
| UNLESS OTHERWISE SPECIFIED        |                 |                            |              |

|      |             |      |
|------|-------------|------|
| DATE | DESCRIPTION | REV. |
|      |             |      |