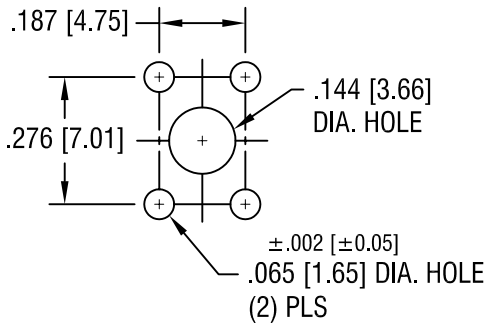
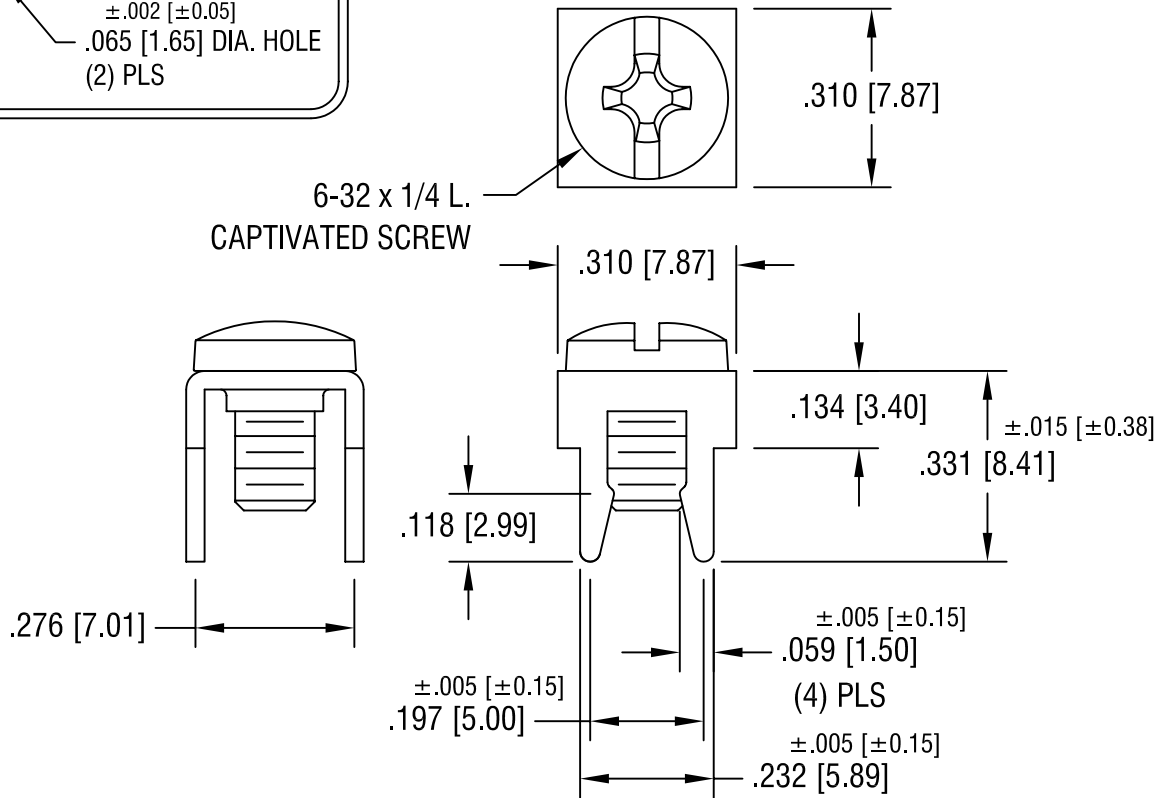


THIS DOCUMENT IS THE PROPERTY OF
KEYSTONE ELECTRONICS CORP. AND
SHALL NOT BE REPRODUCED, DISTRIBUTED
OR USED AS A BASIS FOR MANUFACTURE
WITHOUT PRIOR WRITTEN PERMISSION
FROM KEYSTONE ELECTRONICS CORP.

MOUNTING DETAIL



6-32 x 1/4 L.
CAPTIVATED SCREW



LOW-PROFILE PC SCREW TERMINAL W/ COLORED SCREW HEAD

NOTES:

- 1. TERMINAL:
MAT'L - .032 [0.81] TH'K BRASS, TIN PLATE
- SCREW:
MAT'L - BRASS, NICKEL PLATE

PART NO.	HEAD COLOR	PART NO.	HEAD COLOR
7775-2	RED	7775-5	BLUE
7775-3	BLACK	7775-6	GREEN
7775-4	WHITE	7775-7	YELLOW

KEYSTONE ELECTRONICS CORP.

ASTORIA, N.Y. 11105-2017

PART NAME
LOW-PROFILE TERM. W/ COLORED SCREW HEAD

MATERIAL
AS NOTED

FINISH AS NOTED	DRN BY	BOONE	DATE	10.1.03
	APP'D	LN	SCALE	3X

1.7.08	CHANGE AS PER ECN 08-037	A
--------	--------------------------	---

TOLERANCES	INCH	[MM]	CODE	DWG NO.
DECIMAL	±.010	[±0.25]	C	7775-2 - 7775-7
ANGULAR	± 1°			
UNLESS OTHERWISE SPECIFIED				

DATE	DESCRIPTION	REV.
------	-------------	------