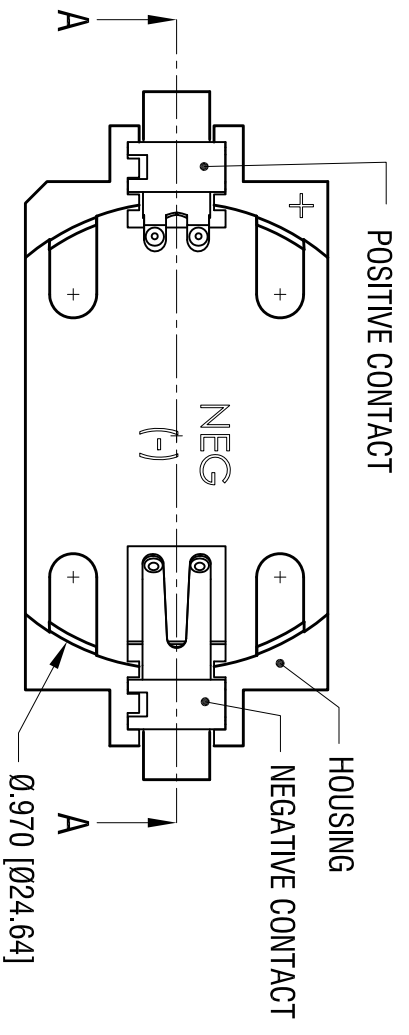
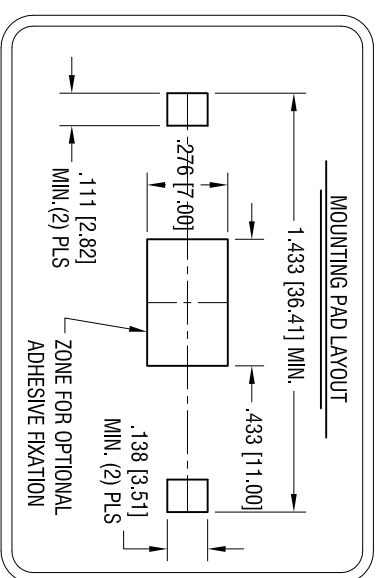
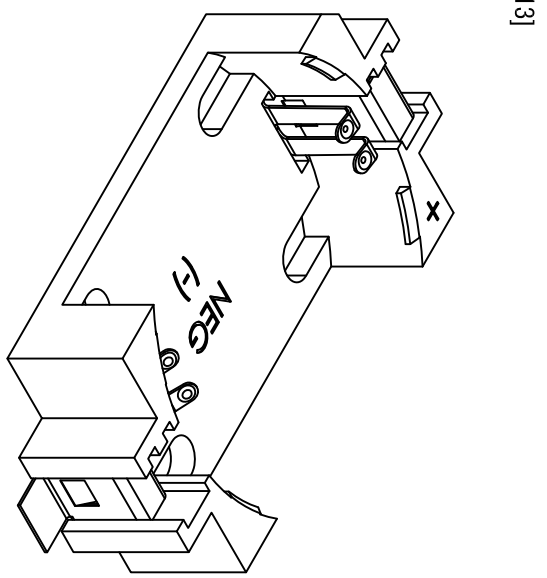
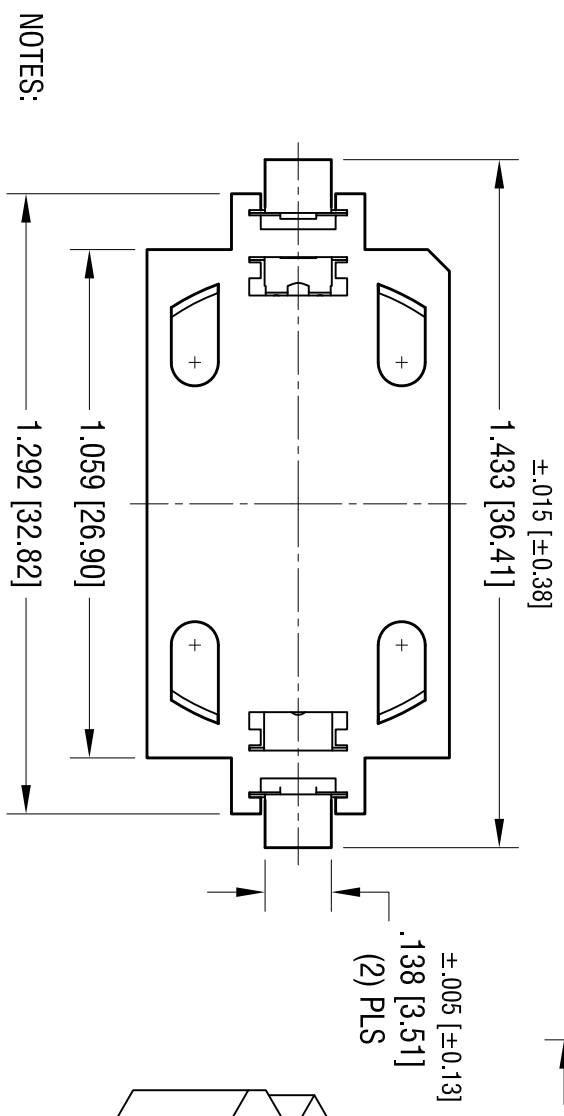
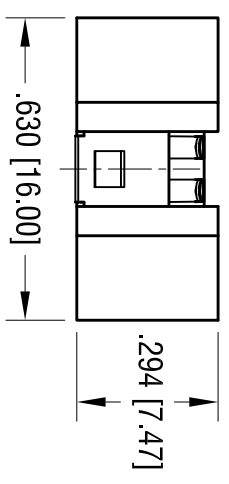
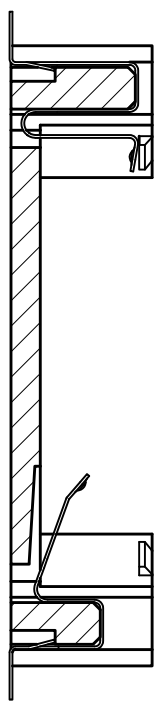


DATE	DESCRIPTION	REV.
8.12.11	CHANGE AS PER ECN 11-104	A



SECTION A-A



- NOTES:
1. BASE:
MAT'L - GLASS FILLED LCP UL 94V-0
 2. CONTACTS:
MAT'L - .006 [0.15] THK PHOSPHOR BRONZE
FINISH: GOLD FLASH PLATING

KEYSTONE ELECTRONICS CORP.			
www.keystec.com • ASTORIA, N.Y. 11105-2017 • Tel (718) 956-8900			
PART NAME 2450 SMT BATTERY HOLDER			
MATERIAL AS NOTED			
FINISH	AS NOTED	DRN BY	NT
DATE	12.01.10	App'D	LN
SCALE	2X	CODE	DWG NO.
1052		C	
TOLERANCES INCH [MM]			
DECIMAL	± .010 [± 0.25]	ANGULAR	± 1°
UNLESS OTHERWISE SPECIFIED			

THIS DOCUMENT IS THE PROPERTY OF KEYSTONE ELECTRONICS CORP. AND SHALL NOT BE REPRODUCED, DISTRIBUTED OR USED AS A BASIS FOR MANUFACTURE WITHOUT PRIOR WRITTEN PERMISSION FROM KEYSTONE ELECTRONICS CORP.