

2JW035

(DATASHEET)

Type	WiFi/Bluetooth antenna
Frequencies	WIFI / BLUETOOTH (2.4 GHz) WIFI (5.1-5.9 GHz)
Mounting	Telematic Mount
Revision	00



Tipul
P. Tipul

1. PRODUCT SELECTION

2JW035-C20Nb	SMA male black hex
2JW035-C675	SMA male black round
2JW035-C442	SMA male black RP round

2. SPECIFICATION

2.1. Electrical Specifications

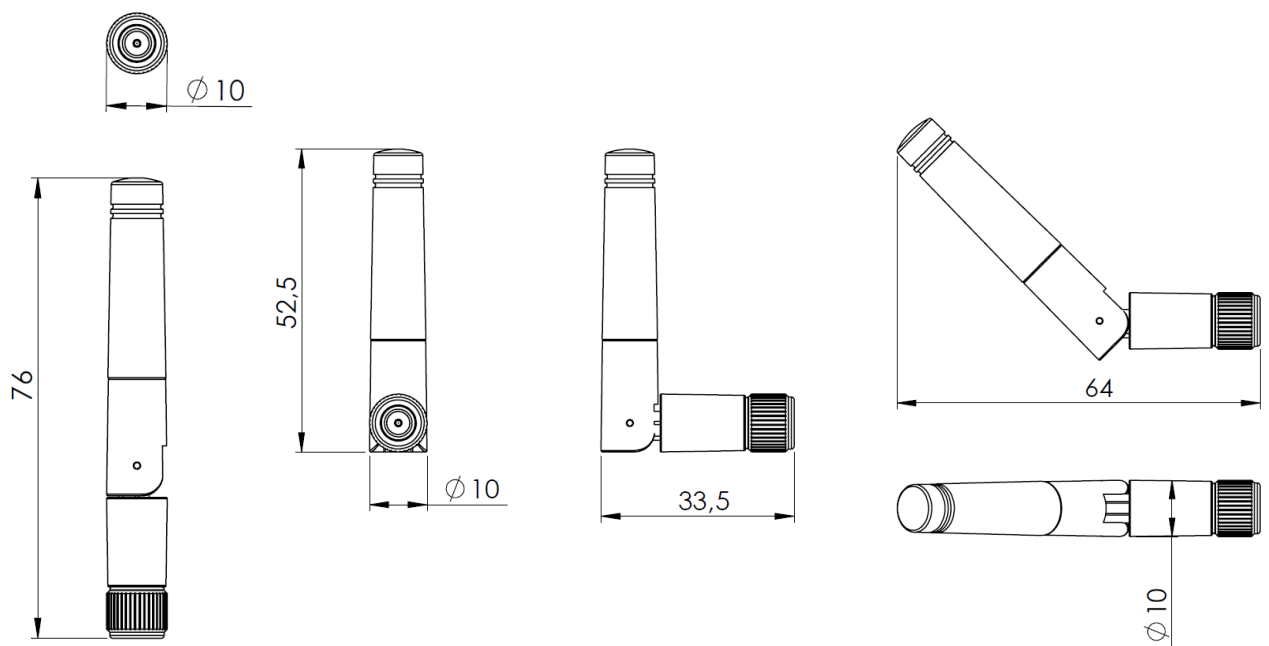
Frequencies	WIFI / BLUETOOTH (2.4 GHz) WIFI (5.1-5.9 GHz)
Impedance	50 Ohms
Polarization	Linear
Gain	5dBi Max
VSWR	<2.6:1
Operating temperature	-40°C to +85°C

2.2. Connection Specifications

Connector type: SMA male
For different connector types please ask our sales team.

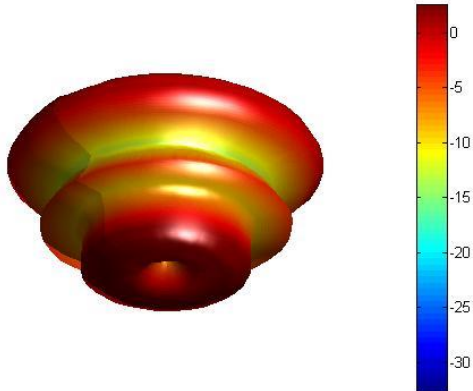
2.3. Mechanical Specifications and Dimensions

Material: ABS
Max. dimensions: 10mm x 76mm (D x H)
Weight: 12 g
Colour: Black (for different colours please ask our sales team)

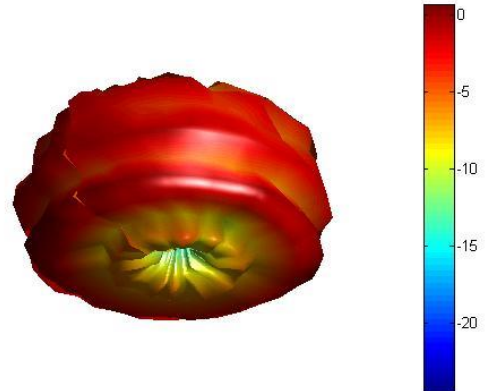


3. MEASUREMENT

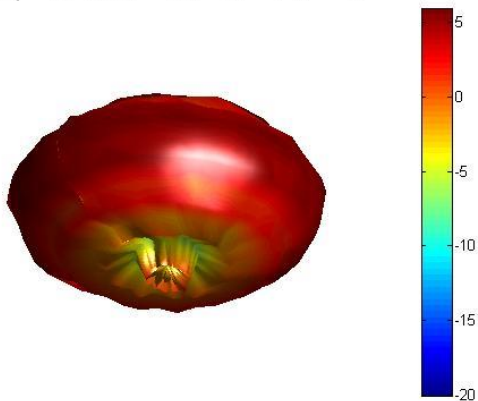
2.4GHz
Freq = 2.4GHz Az= 45 EL= -45



5GHz
Freq = 5GHz Az= 45 EL= -45

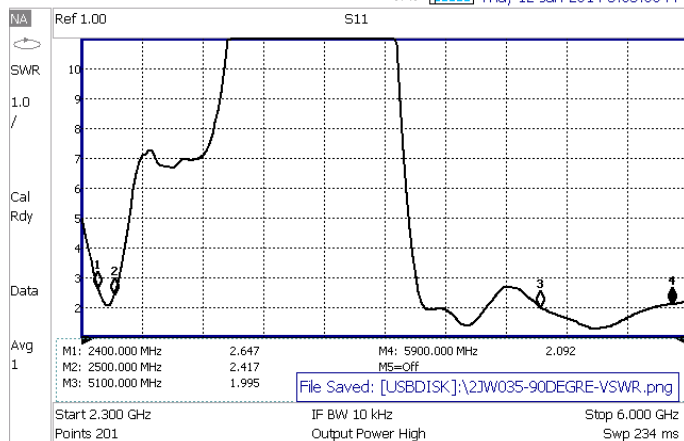


5.7GHz
Freq = 5.7GHz Az= 45 EL= -45



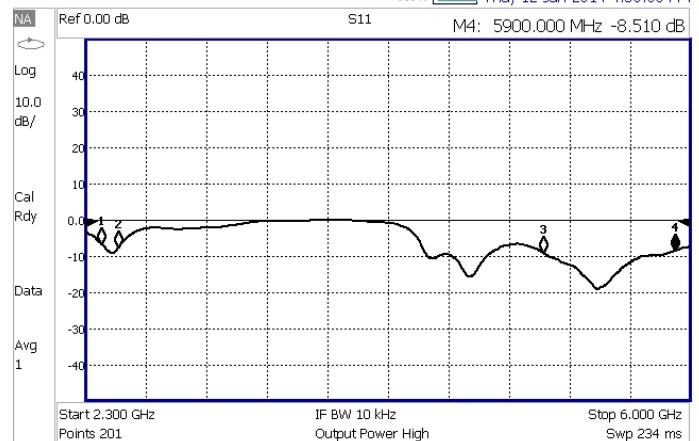
VSWR

Agilent Technologies: N9923A, SN: MY52412007 97% Thu, 12 Jun 2014 5:03:06 PM



Log Mag

Agilent Technologies: N9923A, SN: MY52412007 100% Thu, 12 Jun 2014 4:58:00 PM



4. IMAGES

