



SPECIFICATIONS SHEET

PRODUCT TYPE : EXTERNAL DRIVE PIEZO TRANSDUCER

PRODUCT SERIES : DB-E1858

DESCRIPTION : PZ TRANSDUCER 10V 90mm LL ABS

RoHS

COLOR : BLACK

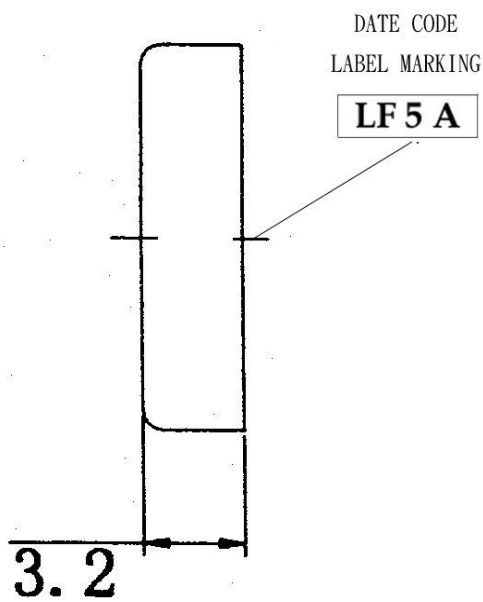
ELECTRICAL SPECIFICATIONS

MODEL NO.	185PZ10320LFLA
SOUND PRESSURE LEVEL	80 dBA min. (10V p-p Square Wave,10cm,3.2KHz)
CAPACITANCE	11000 pF ± 30 % at 120Hz
* MAX. INPUT VOLTAGE	30 V p-p
* OPERATING TEMPERATURE	-20 ~ +70 °C
TERMINAL	LEADWIRE
HOUSING MATERIAL	ABS
* WEIGHT	1 g

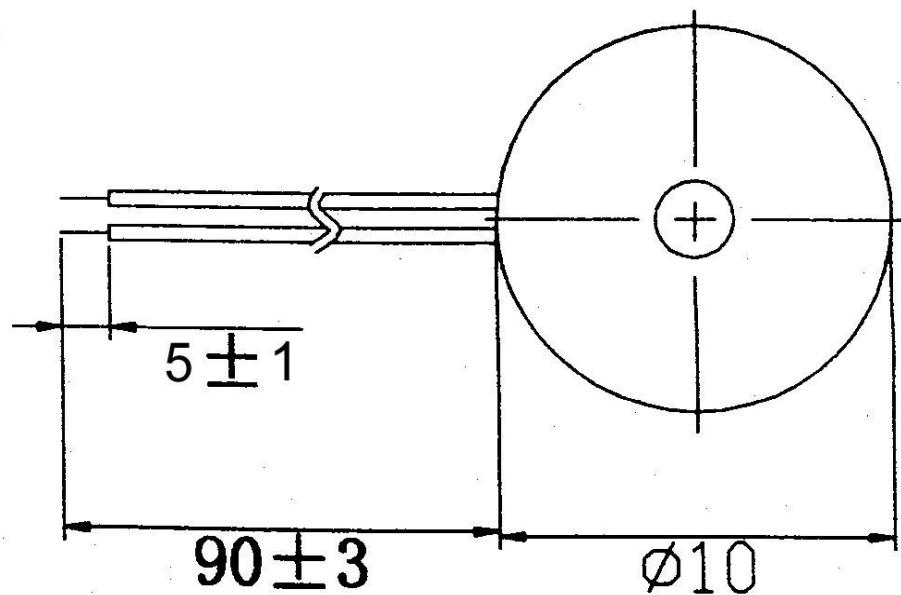
DIMENSIONS

UNIT : mm

SIDE VIEW



TOP VIEW



Approved By : 
Date : 28-May.-2008

Prepared By : 
Date : 28-May.-2008

Modify :	Date :	By :
from silk screen marking change to label mark	28-May-08	hoyin