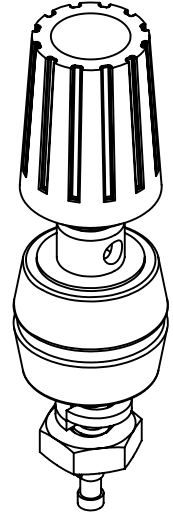
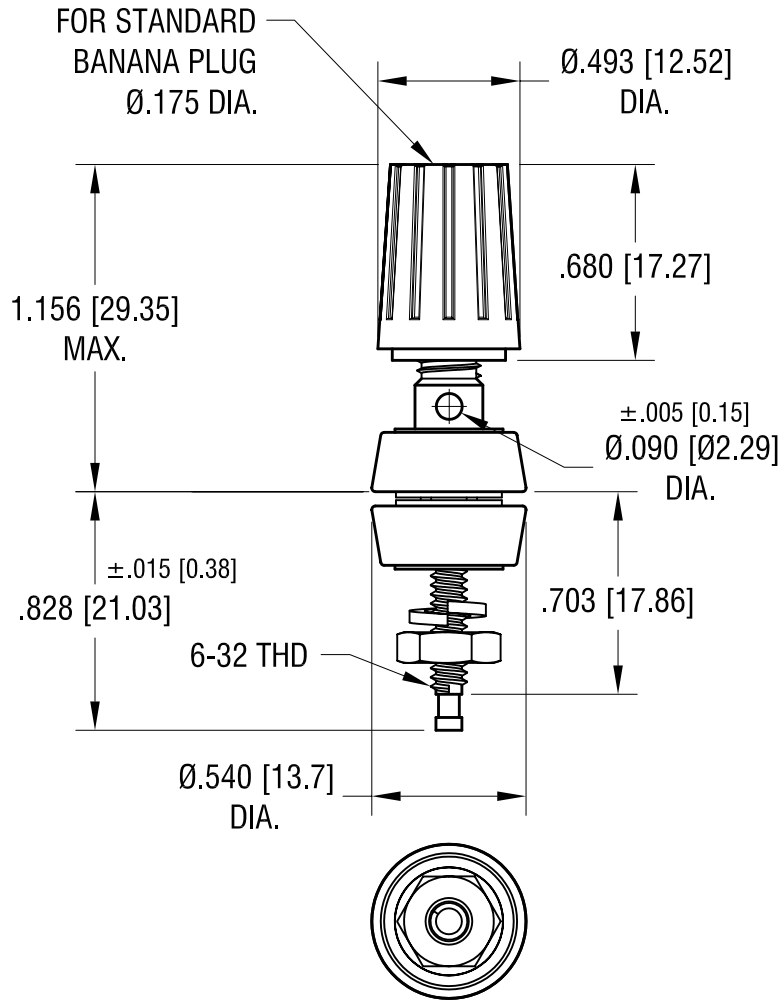


THIS DOCUMENT IS THE PROPERTY OF
KEYSTONE ELECTRONICS CORP. AND
SHALL NOT BE REPRODUCED, DISTRIBUTED
OR USED AS A BASIS FOR MANUFACTURE
WITHOUT PRIOR WRITTEN PERMISSION
FROM KEYSTONE ELECTRONICS CORP.



NOTES:

1. STUD : MAT'L - BRASS, BRIGHT TIN PLATE
2. INSULATOR: MAT'L - NYLON
3. FLAT WASHER: MAT'L - BRASS, NICKEL PLATE
4. SPLIT WASHER: MAT'L - PHOSPHOR BRONZE
NICKEL PLATE
5. NUT: MAT'L - BRASS, NICKEL PLATE

P/N	TH'D	COLOR
7014	6-32	RED
7015	6-32	BLACK

KEYSTONE ELECTRONICS CORP.			
www.keyelco.com • ASTORIA, N.Y. 11105-2017 • Tel (718) 956-8900			
PART NAME		BINDING POST	
MATERIAL		AS NOTED	
FINISH		DRN BY	DATE
AS NOTED		LN	1.3.83
		APP'D	SCALE
		LN	1.5X
TOLERANCES	INCH [MM]	CODE	DWG NO.
DECIMAL	± .010 [± 0.25]	C	7014-7015
ANGULAR	± 1°		
UNLESS OTHERWISE SPECIFIED			

12.10.08	CHANGE AS PER ECN 08-192	B
DATE	DESCRIPTION	REV.