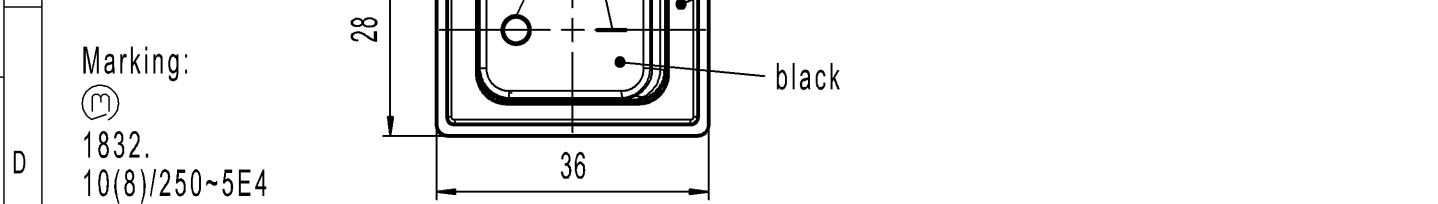
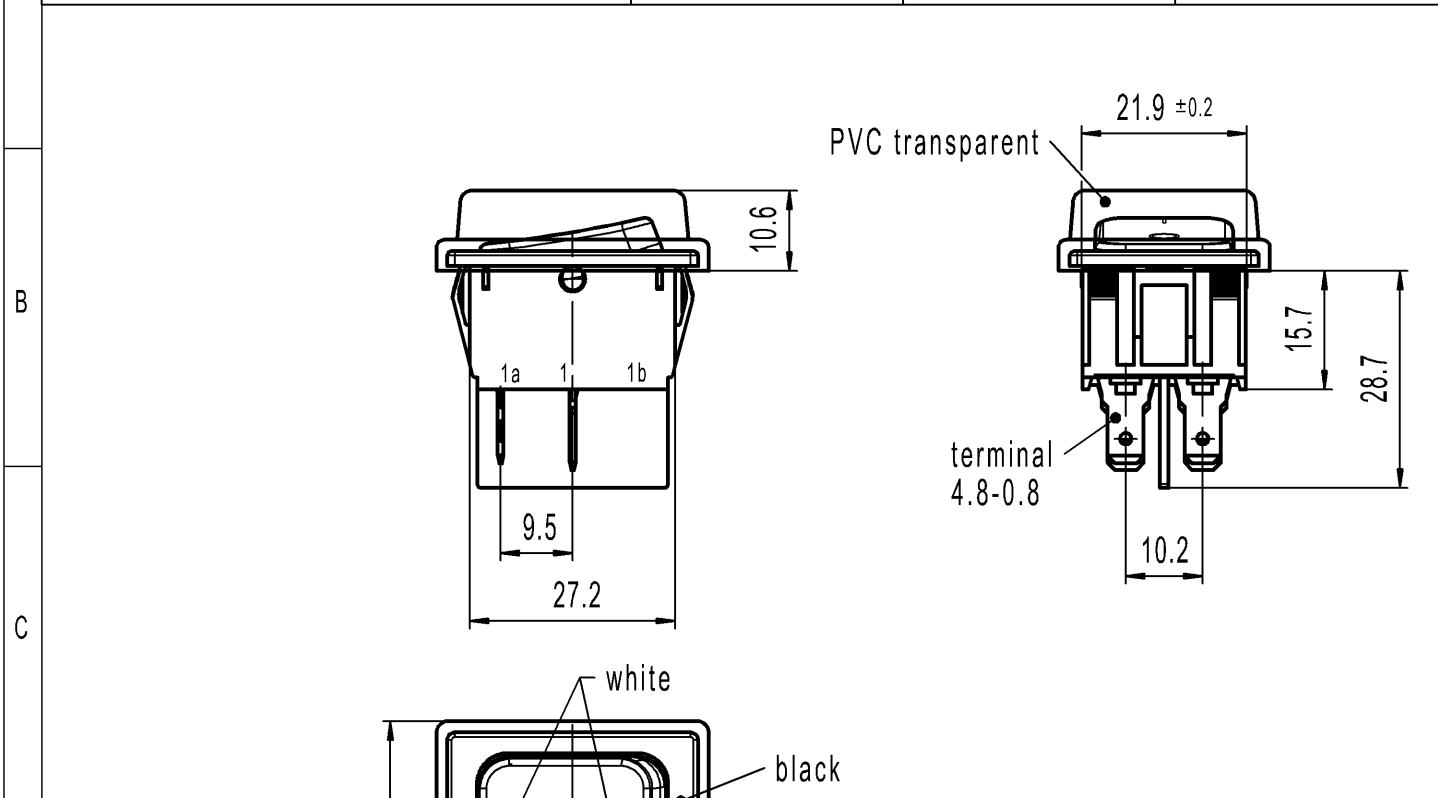


CONFIDENTIAL

VERTRAULICH

THIS DRAWING IS THE EXCLUSIVE PROPERTY OF MARQUARDT. WITHOUT THEIR CONSENT IT MAY NOT BE REPRODUCED OR GIVEN TO THIRD PARTIES.

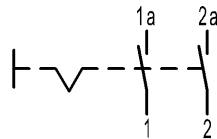
A	1	2	3	4
	recommended cut-out for snap-in fixing (edge opposite to snap-in direction)		wall thickness 0.75 to 2	length of cut-out 30.2 -0.1



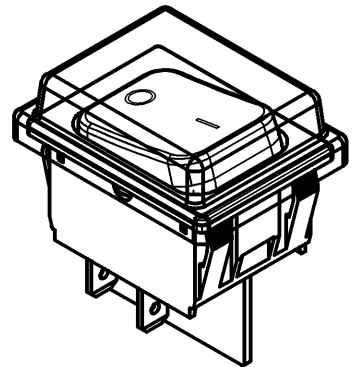
Marking:
 (M)
 1832.
 10(8)/250~5E4
 20(4)/250~ T105/55
 5/120A 250V~



16A 125-250V AC
 1/3HP 125V AC
 1HP 250V AC
 R11



DPST
 Suitable for appliances of class II



Code of manufacture: place/year/week
 On box: Customer Part No. see variant table

-	-	436218	1832.1614-XX
Figure	Type	Customer Part No.	Art.No.-PI
Shape and location	Angle ± 2°	Sheet 01	Ident. K
	Edge tolerance	Format DIN A4	Document number 18321614
	Length	Projection	Index c
	Radii	Scale 1:1	Appliance Switch
c	138977	All dimensions are in millimetres	
b	77500	System NX V1872	
a	64507	Replacement of	
	57966	Zg.gl.Nr.v.28.04.2008	
Index	MEC-No.	Date (YYYY-MM-DD)	Edited by



Alle Rechte bei Marquardt, auch fuer den Fall von Schutzrechtsanmeldungen. Jede Verfuugungsbezugnis, wie Kopier- und Weitergaberecht, bei uns.