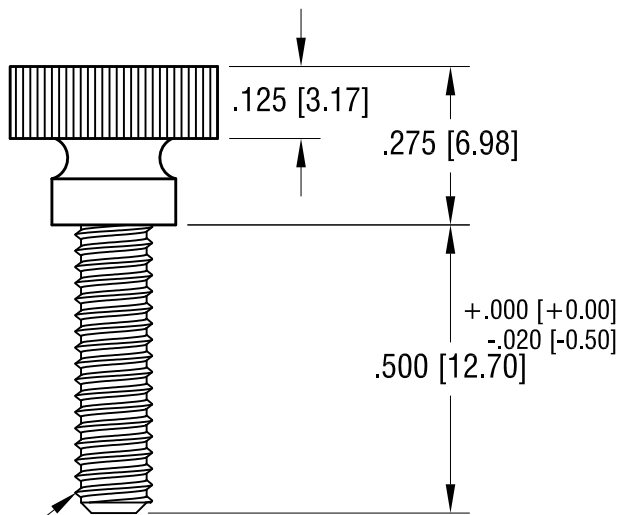
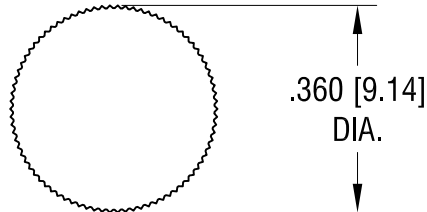
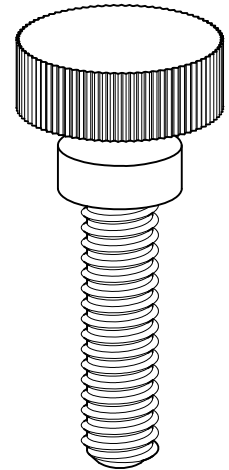


THIS DOCUMENT IS THE PROPERTY OF  
KEYSTONE ELECTRONICS CORP. AND  
SHALL NOT BE REPRODUCED, DISTRIBUTED  
OR USED AS A BASIS FOR MANUFACTURE  
WITHOUT PRIOR WRITTEN PERMISSION  
FROM KEYSTONE ELECTRONICS CORP.



6-32  
THREAD

**KEYSTONE ELECTRONICS CORP.**

www.keyelco.com • ASTORIA, N.Y. 11105-2017 • Tel (718) 956-8900

PART NAME		KNURL HEAD THUMB SCREW	
MATERIAL		NYLON 6/6	
FINISH	-	DRN BY	NT
		DATE	3.22.11
		APP'D	LN
		SCALE	3X
TOLERANCES	INCH [MM]	CODE	DWG NO.
DECIMAL	± .010 [± 0.25]	C/M	2505
ANGULAR	± 1°		
UNLESS OTHERWISE SPECIFIED			

8.04.11 | CHANGE AS PER ECN 11-100 | A

DATE	DESCRIPTION	REV.
------	-------------	------