

Printview: Cover carrier; Type 1; incl. fixing/retaining screws and knurled nut; suitable for 279 to 282 and 880 Series rail-mounted terminal blocks; suitable for 264 Series miniature rail-mounted terminal blocks; suitable for 270 Series sensor and actuator terminal blocks - Item No.: 709-167



Cover carrier; Type 1; incl. fixing/retaining screws and knurled nut; suitable for 279 to 282 and 880 Series rail-mounted terminal blocks; suitable for 264 Series miniature rail-mounted terminal blocks; suitable for 270 Series sensor and actuator terminal blocks

Item No.: 709-167



Cover carrier; Type 1; incl. fixing/retaining screws and knurled nut; suitable for 279 to 282 and 880 Series rail-mounted terminal blocks; suitable for 264 Series miniature rail-mounted terminal blocks; suitable for 270 Series sensor and actuator terminal blocks

Marking

RoHS ✓
Compliant

Business data

Supplier	WAGO
Item no.	709-167
GTIN / EAN	4045454261078
Content	1
Order amount	10
Customer item number	

Notes

Technical data

Miscellaneous

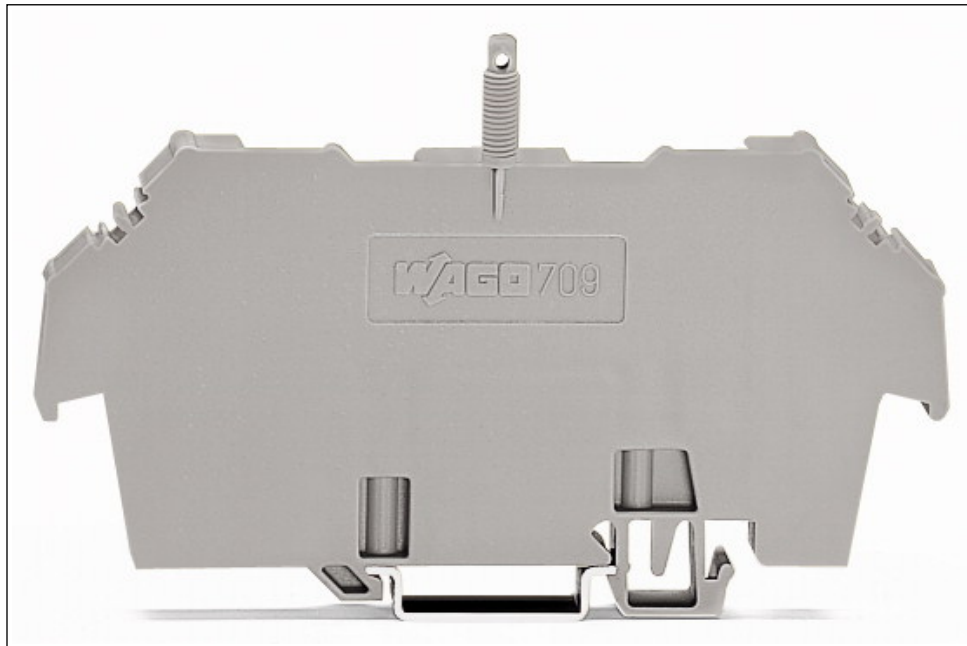
Packaging type	BOX
Main product function	Mounting Accessories

Printview: Cover carrier; Type 1; incl. fixing/retaining screws and knurled nut; suitable for 279 to 282 and 880 Series rail-mounted terminal blocks; suitable for 264 Series miniature rail-mounted terminal blocks; suitable for 270 Series sensor and actuator terminal blocks - Item No.: 709-167

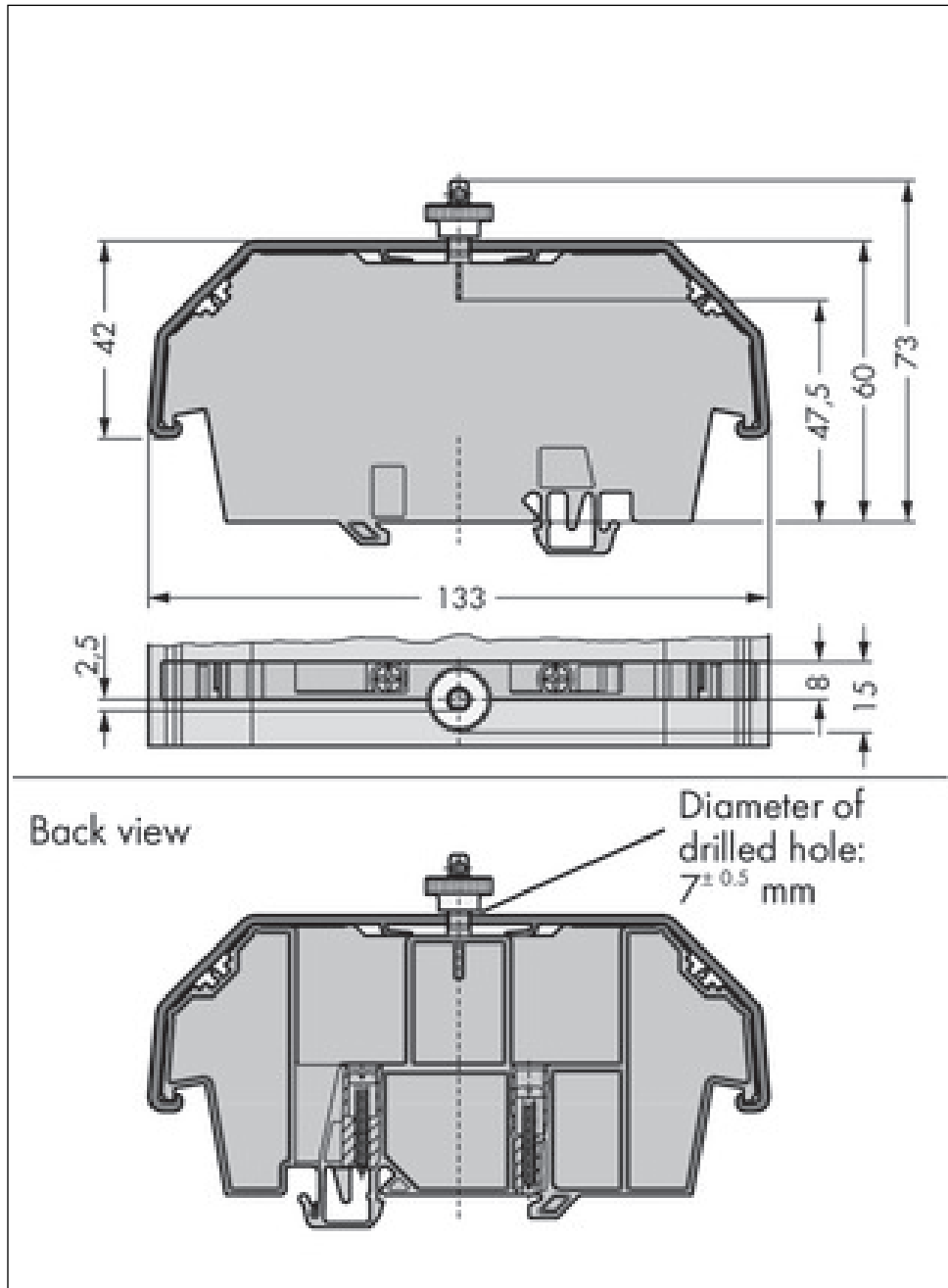
Technical data	
<i>Type of mounting</i>	<i>Carrier rail 35 x 15</i>
<i>Width</i>	<i>8 mm / 0.315 Inch</i>
<i>Depth</i>	<i>133 mm / 5.236 Inch</i>
<i>Height from upper-edge of DIN-35 rail</i>	<i>73 mm / 2.874 Inch</i>
<i>Color</i>	<i>gray</i>
<i>Fire load [MJ]</i>	<i>0.485 [MJ]</i>
<i>Weight [g]</i>	<i>16.167 [g]</i>
<i>Product type</i>	<i>Accessories</i>

Printview: Cover carrier; Type 1; incl. fixing/retaining screws and knurled nut; suitable for 279 to 282 and 880 Series rail-mounted terminal blocks; suitable for 264 Series miniature rail-mounted terminal blocks; suitable for 270 Series sensor and actuator termina - Item No.: 709-167

Images & drawings



Printview: Cover carrier; Type 1; incl. fixing/retaining screws and knurled nut; suitable for 279 to 282 and 880 Series rail-mounted terminal blocks; suitable for 264 Series miniature rail-mounted terminal blocks; suitable for 270 Series sensor and actuator termina - Item No.: 709-167



Printview: Cover carrier; Type 1; incl. fixing/retaining screws and knurled nut; suitable for 279 to 282 and 880 Series rail-mounted terminal blocks; suitable for 264 Series miniature rail-mounted terminal blocks; suitable for 270 Series sensor and actuator terminal blocks - Item No.: 709-167

Address

WAGO Kontakttechnik GmbH & Co. KG

Hansastr. 27

32423 Minden

Telefon: 0571/887-0

Fax: 0571/887-169

<http://www.wago.com>

© WAGO Kontakttechnik GmbH & Co. KG

Technische Änderungen und Irrtümer vorbehalten.