



SPECIFICATIONS SHEET

PRODUCT TYPE : MAGNETIC TRANSDUCER

PRODUCT SERIES : SDT083A

DESCRIPTION : MT TRANSDUCER 3.6V SMD LCP 2730Hz, SP RoHS

COLOR : BLACK

ELECTRICAL SPECIFICATIONS

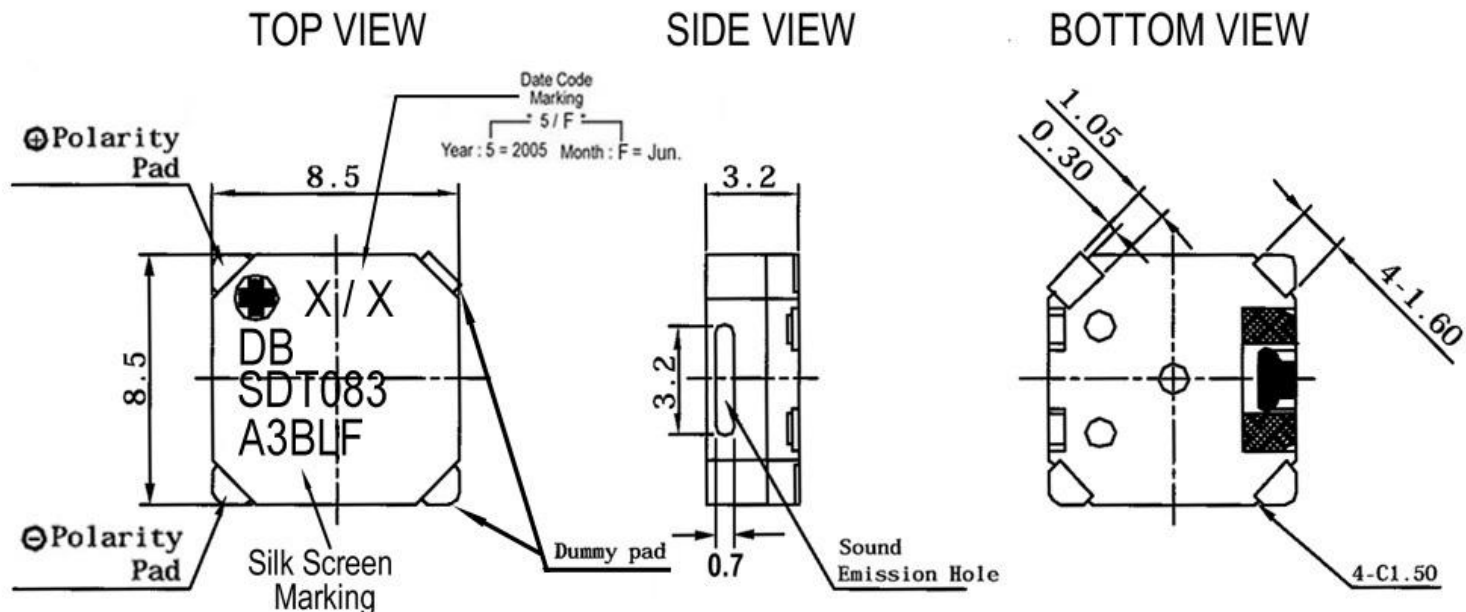
<u>MODEL NO.</u>		<u>SDT083A3BLFMP</u>
<u>OPERATING VOLTAGE RANGE</u>	(V)	2.5 ~ 4.5
<u>RATED VOLTAGE</u>	(V)	3.6
+ <u>MAX. RATED CURRENT</u>	(mA)	100.0
<u>COIL RESISTANCE</u>	(Ω)	16.0 ± 3.0
+ <u>MIN. SOUND OUTPUT AT 10 cm</u>	(dBA)	85
<u>RESONANT FREQUENCY</u>	(Hz)	2730
<u>OPERATING TEMPERATURE</u>	(°C)	- 40 ~ + 105
<u>TERMINAL</u>		SMD
<u>HOUSING MATERIAL</u>		LCP
<u>WEIGHT</u>	(g)	Max. 0.5

+ Value applying rated voltage resonant frequency, 1/2 duty , square wave

* Value applying resonant frequency, 1/2 duty , square wave ,measuring current 60uA

DIMENSIONS

UNIT : mm Tolerance : ± 0.2 mm



Approved By : 
Date : 7-Feb-2006



Prepared By : 
Date : 7-Feb-2006



Modify :	Date :	By :
Operating Temp. : -30 ~ +70 °C change to -40 ~ + 105 °C	07-Feb-06	Joey