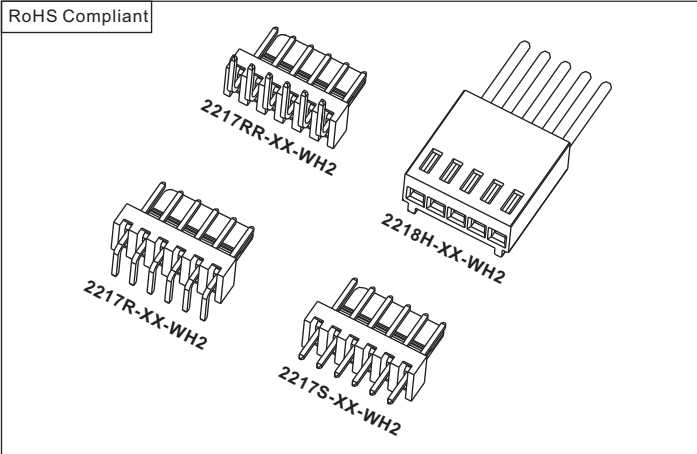


2217 & 2218 Series

2.54mm Wire to Board Connectors



RoHS Compliant



Specifications

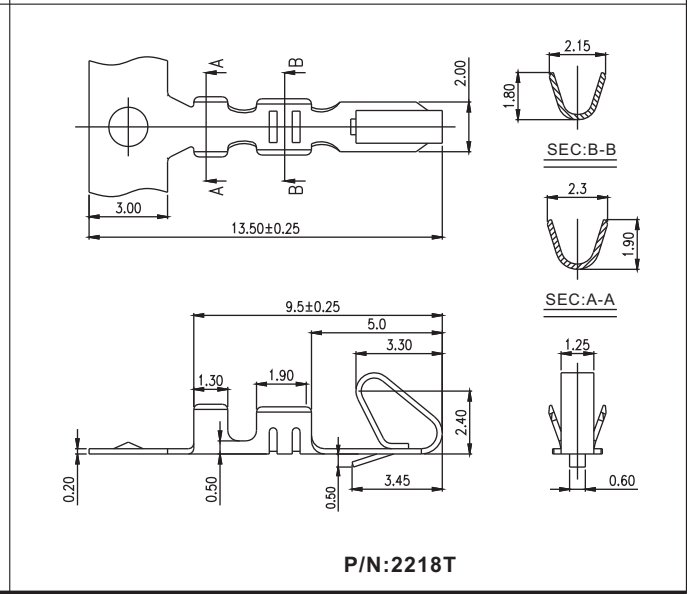
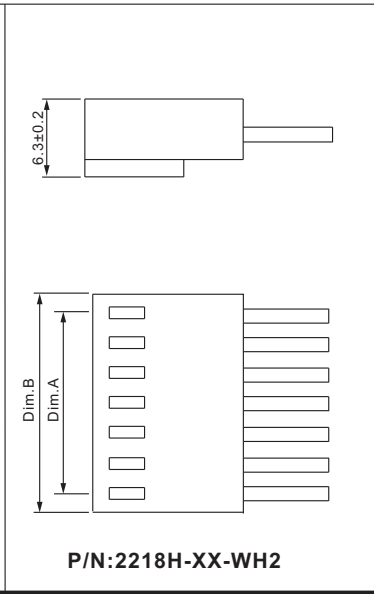
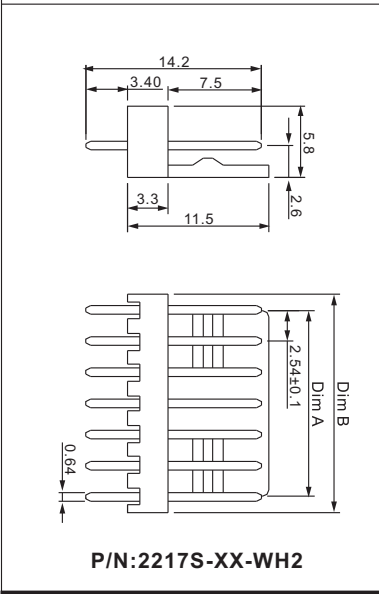
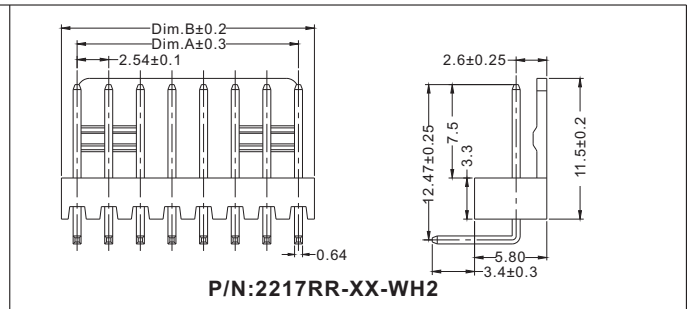
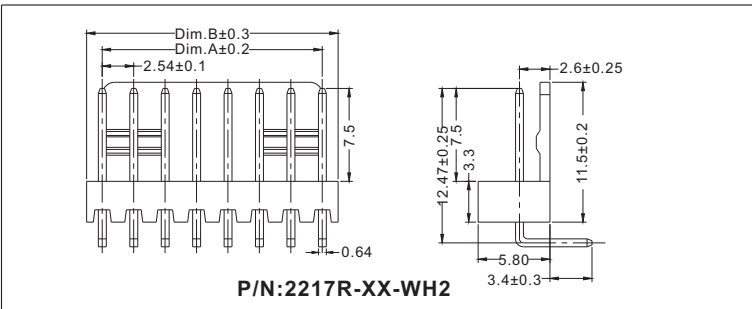
Current rating: 3.0AAC/DC
 Voltage rating: 250V AC/DC
 Contact resistance: 20m ohm. max.
 Insulation resistance: 1000M ohm. Min.
 Withstanding voltage: 1000V AC for one minute
 Operating temperature range: -25°C to +105°C
 Application: Wires AWG 22 to 26

Material and Finish

A. Housing Insulator: Nylon 66(UL94V-0)
 B. Crimp Terminal: Copper Alloy Tin Plated
 C. Wafer Insulator: Nylon 66(UL94V-0)
 Contact Pin: Brass Tin Plated

Connection

2218H-XX Mates With 2217S(R)(RR)-XX



Engineering Dimension

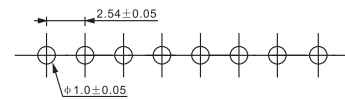
P/N: 2217 Series

Circuits	Dim.A	Dim.B
2	2.54	5.08
3	5.08	7.62
4	7.62	10.16
5	10.16	12.70
6	12.70	15.24
7	15.24	17.78
8	17.78	20.32
9	20.32	22.86
10	22.86	25.40
11	25.40	27.94

P/N: 2218H-XX-WH2

Circuits	Dim.A	Dim.B
2	2.54	5.60
3	5.08	8.14
4	7.62	10.68
5	10.16	13.22
6	12.70	15.76
7	15.24	18.30
8	17.78	20.84
9	20.32	23.38
10	22.86	25.92
11	25.40	28.46

Recommended PCB Layout



P/N: 2217 Series

Ordering Information

2217S-XX-WH2

① ② ③

2218H-XX-WH2

① ② ③

① S: Straight Type
 R: Right Angle Type
 RR: R/A Reverse Type

① H: Housing ② No. Of Contacts ③ WH2: Beige White

Unit: mm