



Copyright FCI



FCIconnect.com

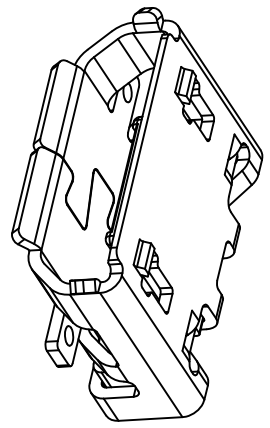
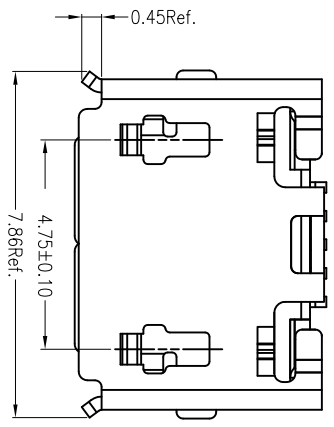


PART NUMBER
10118192-0001LF

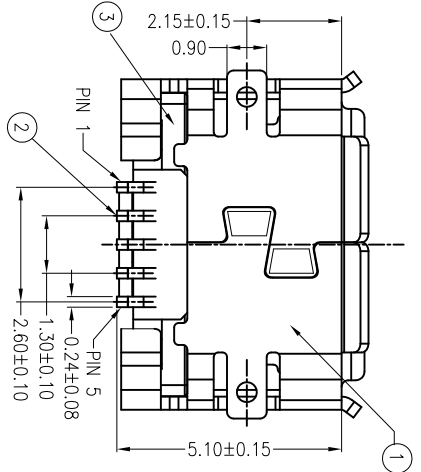
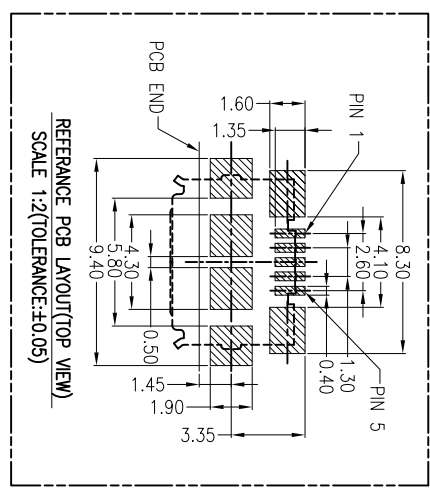
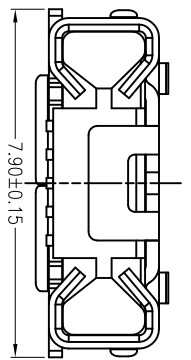
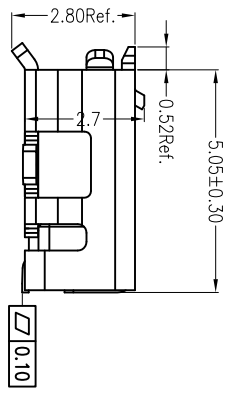
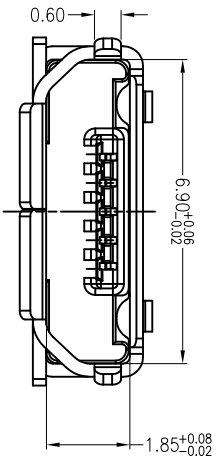
1 | 2

3 |

4



- NOTES:
1. MATERIAL:
HOUSING: HIGH THERMOPLASTIC RESIN, UL94V-0, COLOR: BLACK
TERMINAL: COPPER ALLOY
SHELL: STAINLESS
 2. FINISH:
CONTACT AREA: GOLD PLATED
CONTACT SOLDER AREA: GOLD FLASH
SHELL: MATTE TIN PLATED
UNDER NICKEL PLATED ALL OVER.
 3. PRODUCT SPECIFICATION: GS-12-641.
 4. PACKAGING SPECIFICATION: GS-14-2180.
 5. THE "LF" MEANS FOR LEAD FREE AND CAN WITHSTAND EXPOSE TO 260°C PEAK TEMPERATURE FOR 10 SECONDS IN IR REFLOW PROCESS.



Item	Title	QTY
1	Shell	1
2	Terminal	5
3	InsertMolding	1

mat'l. code	surfact	tolerance	projection	product family
ASME Y14.5	ASME Y14.5	ASME Y14.5	ASME Y14.5	USB
ASME Y14.5	ASME Y14.5	ASME Y14.5	ASME Y14.5	USB

lfr	ecm no	dr	date	surface	tolerance	projection	product family
A	LS	10/21/11		ASME Y14.5	ASME Y14.5	ASME Y14.5	USB
				tolerances unless otherwise specified			
				angles	.X±0.38		
				X°±2°	.XX±0.25		
				dr	.XXX±0.10	scale	
				engr	JASON HSU 05/21/11		
				chr	JASON HSU 05/21/11		
				appd	GARY HSEH 05/21/11		

sheet	revision	product family	title	dwg no	sheet 1 of 1	size
Index	Sheet	1				
			MICRO USB B TYPE RECEPTACLE	10118192	1	A4
						CUSTOMER Drawing

B

1

2

3

4

A

A

B