



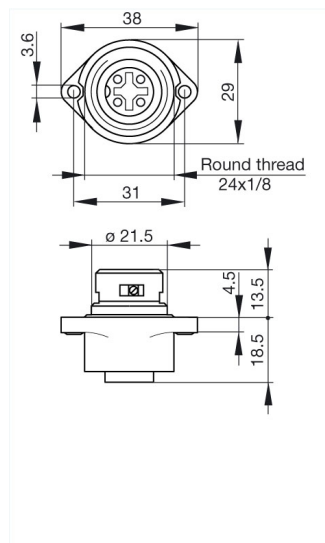
CA 3 GD

Industrial Connectors: Circular connectors CA series: Cable socket and panel-mounted socket

Product description

Description	Panel-mounted socket with flange
Type	CA 3 GD
Order No.	932 321-100
Number of contacts	3 + PE
Conductor size	max. 2.5 mm ²
Housing Color	black

Drawing



Technical data

Pin dimensions	2 mm
Rated voltage	DC 250 V / AC 400 V
Rated current	DC 10 A / AC 16 A
Contact resistance	≤ 3 mOhm
Type of termination	screw
Mounting	flange

Material

Contact surface material	Ag
Contact bearer material	PA 66-GF 25
Housing material	PA 66-GF 25
O-Ring	NBR

Environmental conditions

Protection class (IEC 60529)	IP 67
Pollution severity	3
Temperature range	-40 °C to +90 °C

Inflammability class

Flammability, UL standard	94 V-0
---------------------------	--------

Approvals

UL	UL
----	----

VDE	VDE
Packaging unit	
Packaging unit	100 pieces
Scope of delivery and accessories	
Scope of delivery	1 panel-mounted socket with sealing ring, in polyphene bag
Accessories to order separately	can be plugged into CA 3 LS; cap CA 00 SD 4, order no. 831 531-100