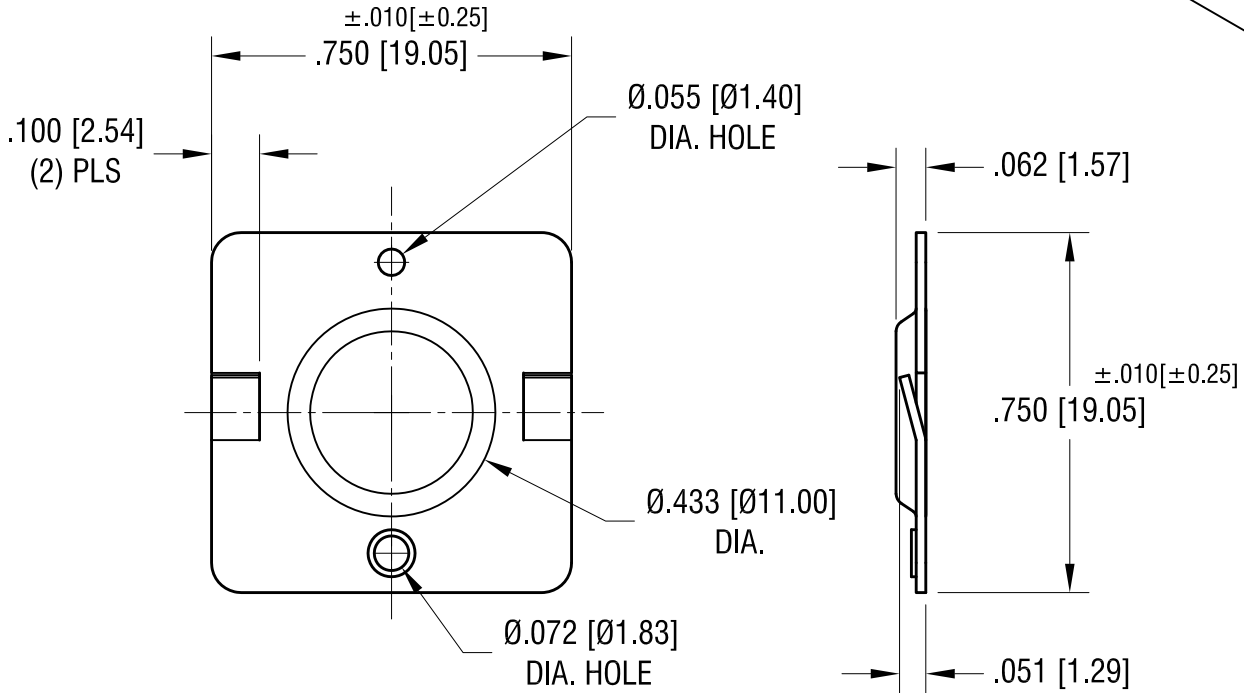
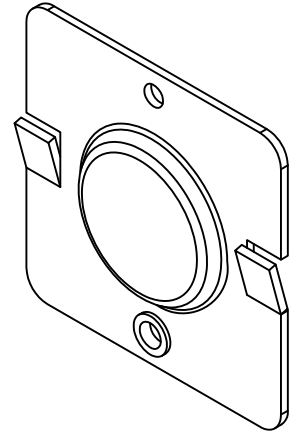


THIS DOCUMENT IS THE PROPERTY OF KEYSTONE ELECTRONICS CORP. AND SHALL NOT BE REPRODUCED, DISTRIBUTED OR USED AS A BASIS FOR MANUFACTURE WITHOUT PRIOR WRITTEN PERMISSION FROM KEYSTONE ELECTRONICS CORP.



KEYSTONE ELECTRONICS CORP.

www.keyelco.com • ASTORIA, N.Y. 11105-2017 • Tel (718) 956-8900

PART NAME			
'C' CELL POSITIVE BATTERY CONTACT			
MATERIAL			
.020 [0.50] TH'K STEEL			
FINISH		DRN BY	DATE
NICKEL PLATE		NT	3.27.09
		APP'D	SCALE
		LN	2.5X
TOLERANCES	INCH [MM]	CODE	DWG NO.
DECIMAL	$\pm .005 [\pm 0.15]$	C/M	5240
ANGULAR	$\pm 1^\circ$		
UNLESS OTHERWISE SPECIFIED			

11.17.09	CHANGE AS PER ECN 09-169	A
DATE	DESCRIPTION	REV.