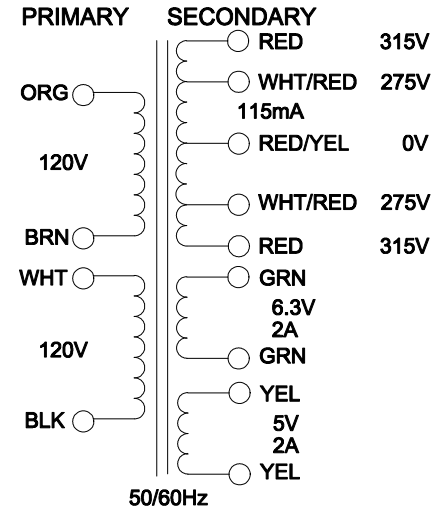
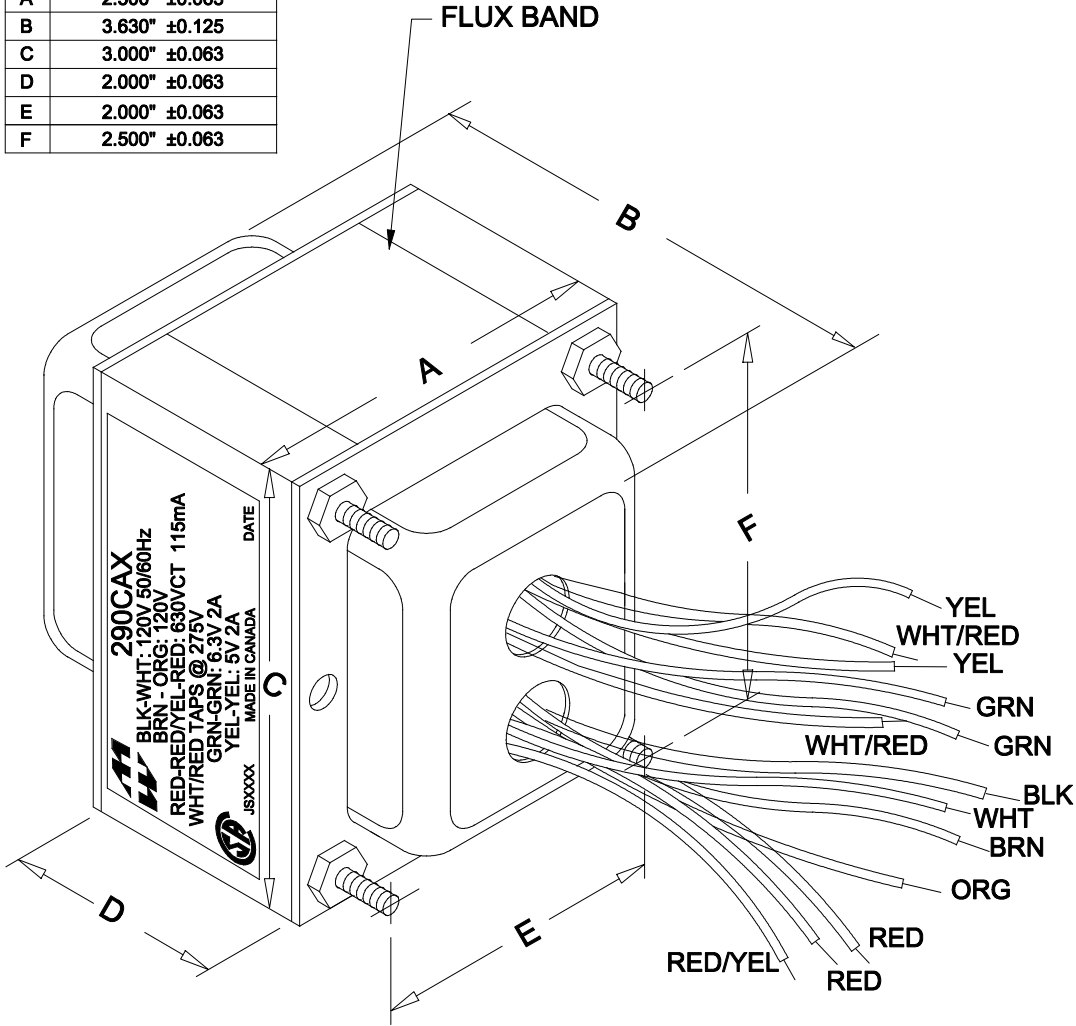


DIMENSIONS:	
A	2.500" ±0.063
B	3.630" ±0.125
C	3.000" ±0.063
D	2.000" ±0.063
E	2.000" ±0.063
F	2.500" ±0.063



NOTE: ALL LEADS 9" OUT MIN., STRIPPED .5"

ELECTRICAL DATA:		
TESTS	CONDITIONS	ACCEPTANCE CRITERIA
I _{ex}	@ 120V, 60Hz, BLK - WHT	200mA Max.
Sec. N.L.V	@ 120V, 60Hz, BLK - WHT	
	WT/RD - RD/YL = RD/YL - WT/RD =	294.0V ±2%
	RED - RED/YEL = RED/YEL - RED =	336.6V ±2%
	RED - RED =	673.2V ±2%
	GRN - GRN =	6.792V ±2%
	YEL - YEL =	5.283V ±2%
DCR	@ 20°C, BLK - WHT =	7.100 Ω ±20%
	@ 20°C, BRN - ORG =	7.600 Ω ±20%
	@ 20°C, RED - RED =	188.0 Ω ±20%
	@ 20°C, GRN - GRN =	0.100 Ω ±20%
	@ 20°C, YEL - YEL =	0.084 Ω ±20%
HIPOT	PRIMARY - SECONDARY	2500V, 60Hz, 1 SEC

REV.#	REVISION	DATE
0	RELEASED.	C.I. 06/16/17

HAMMOND
MANUFACTURING

ELECTRONIC DIVISION
52 RANKIN PLACE,
WATERLOO, ONTARIO, N2J 3Z5

PH # (519) 886-6181
FAX # (519) 886-9540

DWG. BY: C. ILIE
DATE: 06/16/17

CHK'D BY:
APP'D. BY:
DIMENSIONS: IN(X) MM()

TITLE: POWER
TRANSFORMER

DWG. NO.
290CAX