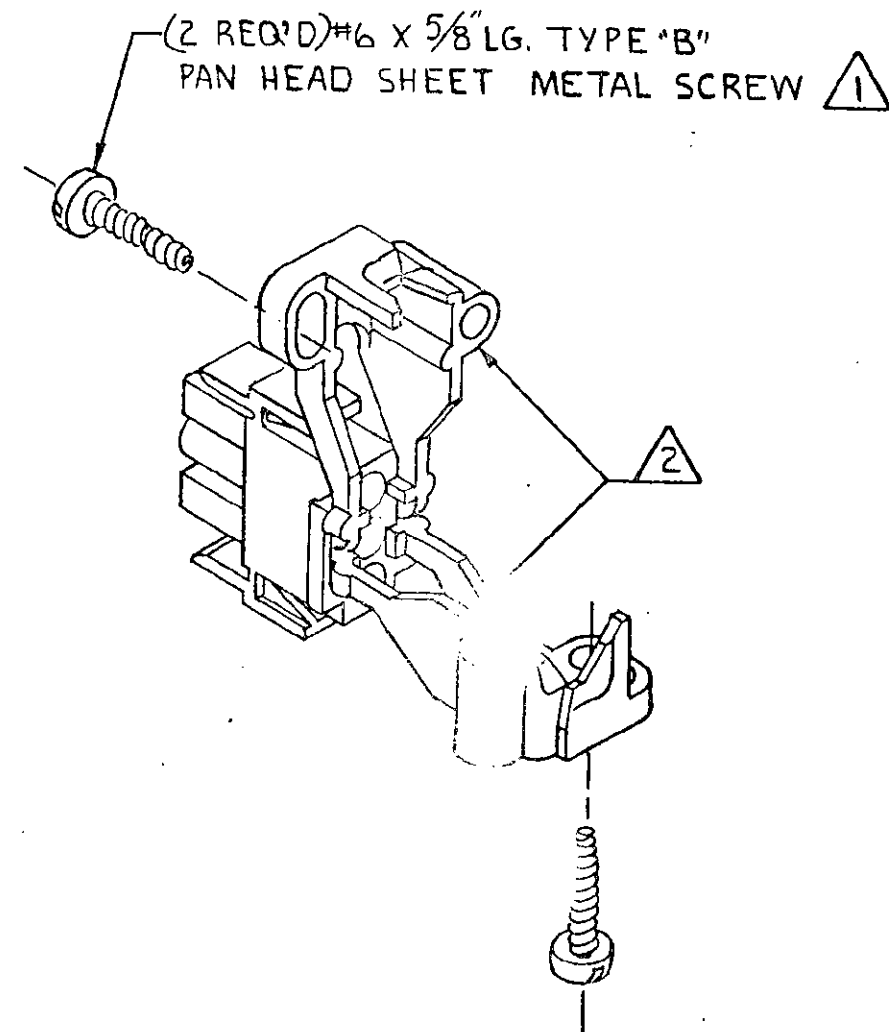
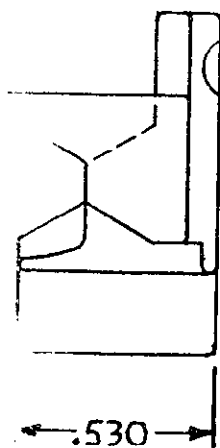
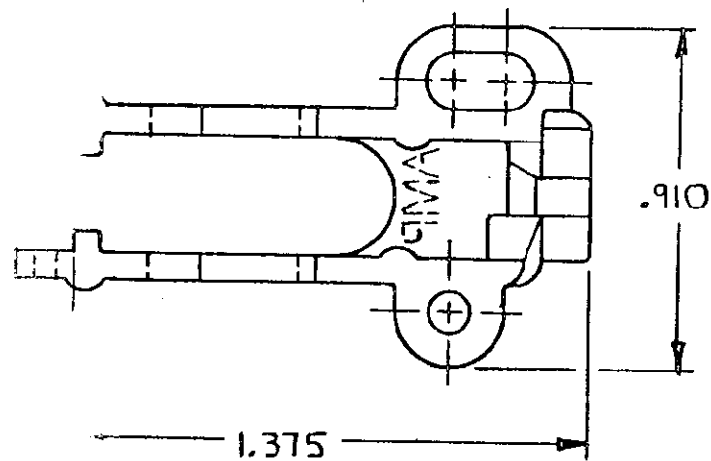
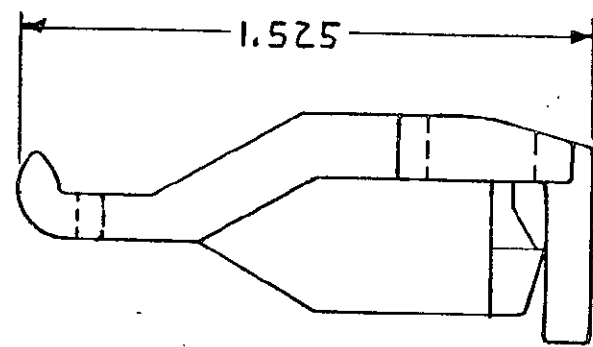


DRAWING MADE IN THIRD ANGLE PROJECTION  
 © COPYRIGHT 1977 BY AMP INCORPORATED, HARRISBURG, PA.  
 ALL INTERNATIONAL RIGHTS RESERVED. AMP INCORPORATED PRODUCTS  
 COVERED BY U. S. AND FOREIGN PATENTS AND/OR PATENTS PENDING.

1 SHEET METAL SCREWS NOT SUPPLIED  
 2 TWO REQUIRED PER CONNECTOR.  
 3 FOR USE WITH 2,3,4 CIRCUIT HOUSINGS WITH A MAXIMUM  
 WIRE BUNDLE DIAMETER OF 5/16".

		REVISIONS			LOC	DIST
P	F	ZONE	LTR	DESCRIPTION	DATE	APPROVED
✓	✓		C	REV PER EC0730-0201-94	4-25-80	JH RS
✓						
✓						



350811-1

PART NC

UNLESS OTHERWISE SPECIFIED DIMENSIONS ARE IN INCHES. TOLERANCES ON: DECIMALS ±.015 ANGLES ±	CONTRACT NO	AMP INCORPORATED Harrisburg, Pa.	
	DR M. FEHER 2-19-80		
MATERIAL NYLON 94V-0	CHK D.S. Heide 2/29/80	STRAIN RELIEF FOR UNIVERSAL MATE-N-LOK HOUSING	
	APPD J.C. Fisher 2-29-80	SIZE	CODE IDENT NO
	DSGN APPD	C	00779
	OTHER APPD	SCALE	DRAWING NO
		2-1	350811
			SHEET