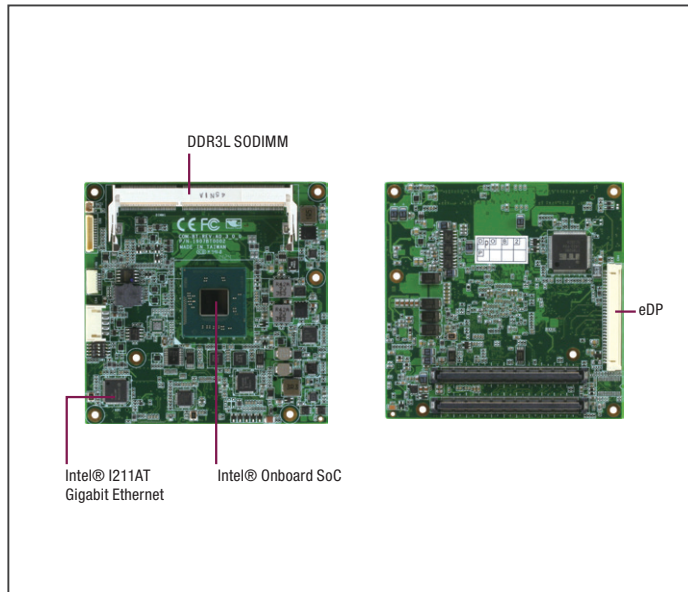


COM Express Type 6 CPU Module with Onboard Intel® Atom™/ Celeron® Processor SoC



Features

- Intel® Atom™/ Celeron® Processor SoC
- DDR3L 1066/1333 MHz SODIMM x 1, Up to 8 GB
- Gigabit Ethernet with Intel® Controller
- CRT, Up to 24-bit Dual-channel LVDS, eDP (Optional), up to DDI x 2 (Share w/ eDP LVDS)
- High Definition Audio Interface
- SATA 3.0 Gb/s x 2
- USB 2.0 x 7, USB 3.0 x 1
- PCI-Express [x1] x 3
- COM Express Compact Module, Pin-out Type 6, COM.0 Rev. 2.1
- Supports Industrial Temperature

Specifications

System	
Form Factor	COM Express, Compact, Pin-out Type 6
CPU	Onboard Intel® Atom™ SoC
CPU Frequency	Intel® Atom™N2930 (1.83 GHz), N2807 (1.58 GHz), E3845 (1.91 GHz), E3827 (1.75 GHz), E3825 (1.33 GHz), J1900 (2.0 GHz)
Chipset	Intel® Atom™ SoC
Memory Type	DDR3L 1066/1333 MHz SODIMM x 1
Max. Memory Capacity	8 GB
BIOS	AMI BIOS
Wake on LAN	Yes
Watchdog Timer	255 Levels
Power Requirement	Nominal: +12V
Power Supply Type	AT/ ATX
Power Consumption (Typical)	0.92A@12V, full load, J1900 0.48A@12V, full load, N2807
Dimension (L x W)	3.74" x 3.74" (95mm x 95mm)
Operating Temperature	32°F ~ 140°F (0°C ~ 60°C) -40°F ~ 185°F (-40°C ~ 85°C) optional
Storage Temperature	-40°F ~ 176°F (-40°C ~ 80°C)
Operating Humidity	0% ~ 90% relative humidity, non-condensing
MTBF (Hours)	80,000
Certification	CE/FCC
Display	
VGA/LCD Controller	Intel® Atom™ SoC Integrated
Video Output	CRT, LVDS LCD, DDI
I/O	
Ethernet	Intel® 211, Gigabit Ethernet
Audio	High Definition Audio Interface
USB Port	USB 2.0 x 7, USB 3.0 x 1
Serial Port	Tx/Rx x 2
Parallel Port	—
HDD Interface	SATA x 2
FDD Interface	—
SSD	—
Expansion Slot	PCI-Express[x1] x 3 (Gen 2.0) LPC Bus x 1 SMBus x 1
GPIO	GPIO 8-bit
TPM	—



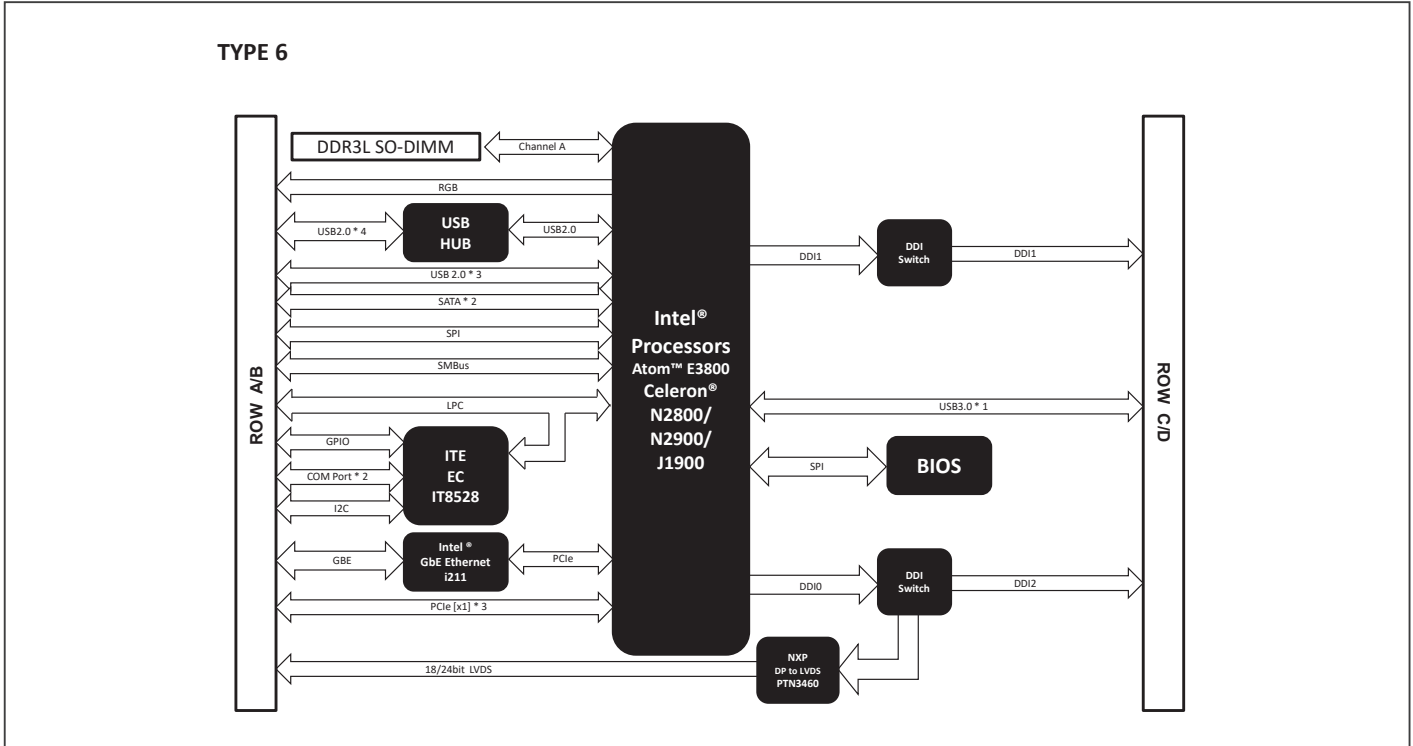
Packing List

- M2.5 Screw x 4
- Product DVD
- COM-BT Rev. A

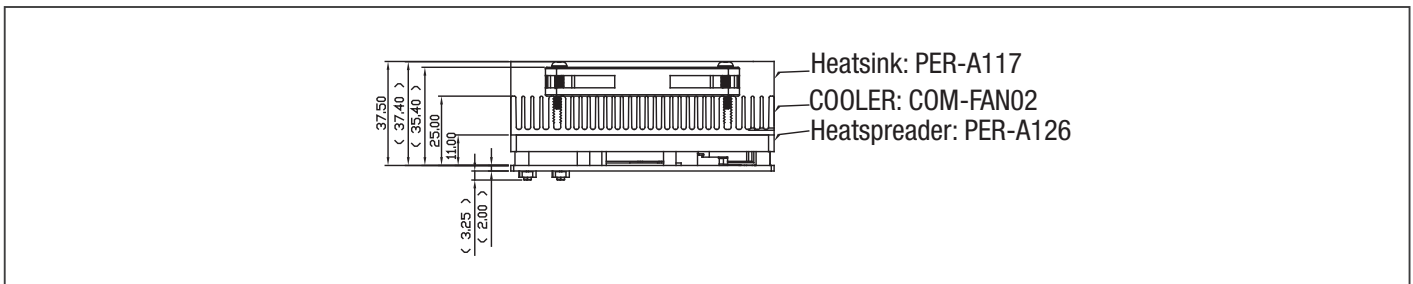
Optional Accessories

- **ECB-920A-A10-0001**
COM Type 1/6/10 Carrier Board, ATX, GbE, 8 USB, 2 COM, 4 SATA, PCIe, AT/ATX, Legacy Free, Rev. A1.0
- **PER-A126**
Heat Spreader, For COM-BT, Onboard CPU
- **COM-HSK02**
- **COM-FAN02**
CPU Cooler, 95 x 95 x 26.5mm, Silver, use with HSP

Block Diagram Unit: mm



Dimension Unit: mm



Ordering Information

Part Number	COM Express Type	CPU	Memory	Display	LVDS	Storage	LAN	USB	UART	Expansion Slot	Power	Temp.
COM-BT-A10-0001	6 (COM.0 Rev. 2.1)	Quad Core N2930 (1.83 GHz)	DDR3L1066/1333, Max. 8 GB	VGA, HDMI, LVDS, DP, eDP (Optional)	18/24b 2CH LVDS	SATA x 2	GbE x 1	USB 3.0 x 1 USB 2.0 x 7	2 (Tx/Rx)	PCI-Express [x1] x 3, LPC bus x 1, SMBUS x 1	12V	0°C - 60°C
COM-BT-A10-0002	6 (COM.0 Rev. 2.1)	Dual Core N2807 (1.58 GHz)	DDR3L1066/1333, Max. 8 GB	VGA, HDMI, LVDS, DP, eDP (Optional)	18/24b 2CH LVDS	SATA x 2	GbE x 1	USB 3.0 x 1 USB 2.0 x 7	2 (Tx/Rx)	PCI-Express [x1] x 3, LPC bus x 1, SMBUS x 1	12V	0°C - 60°C
COM-BT-A10-0003	6 (COM.0 Rev. 2.1)	Quad Core E3845 (1.91 GHz)	DDR3L1066/1333, Max. 8 GB	VGA, HDMI, LVDS, DP, eDP (Optional)	18/24b 2CH LVDS	SATA x 2	GbE x 1	USB 3.0 x 1 USB 2.0 x 7	2 (Tx/Rx)	PCI-Express [x1] x 3, LPC bus x 1, SMBUS x 1	12V	0°C - 60°C
COM-BTW2-A10-0003	6 (COM.0 Rev. 2.1)	Quad Core E3845 (1.91 GHz)	DDR3L1066/1333, Max. 8 GB	VGA, HDMI, LVDS, DP, eDP (Optional)	18/24b 2CH LVDS	SATA x 2	GbE x 1	USB 3.0 x 1 USB 2.0 x 7	2 (Tx/Rx)	PCI-Express [x1] x 3, LPC bus x 1, SMBUS x 1	12V	-45°C - 85°C
COM-BT-A10-0008	6 (COM.0 Rev. 2.1)	Quad Core J1900 (2.0 GHz)	DDR3L1066/1333, Max. 8 GB	VGA, HDMI, LVDS, DP, eDP (Optional)	18/24b 2CH LVDS	SATA x 2	GbE x 1	USB 3.0 x 1 USB 2.0 x 7	2 (Tx/Rx)	PCI-Express [x1] x 3, LPC bus x 1, SMBUS x 1	12V	0°C - 60°C