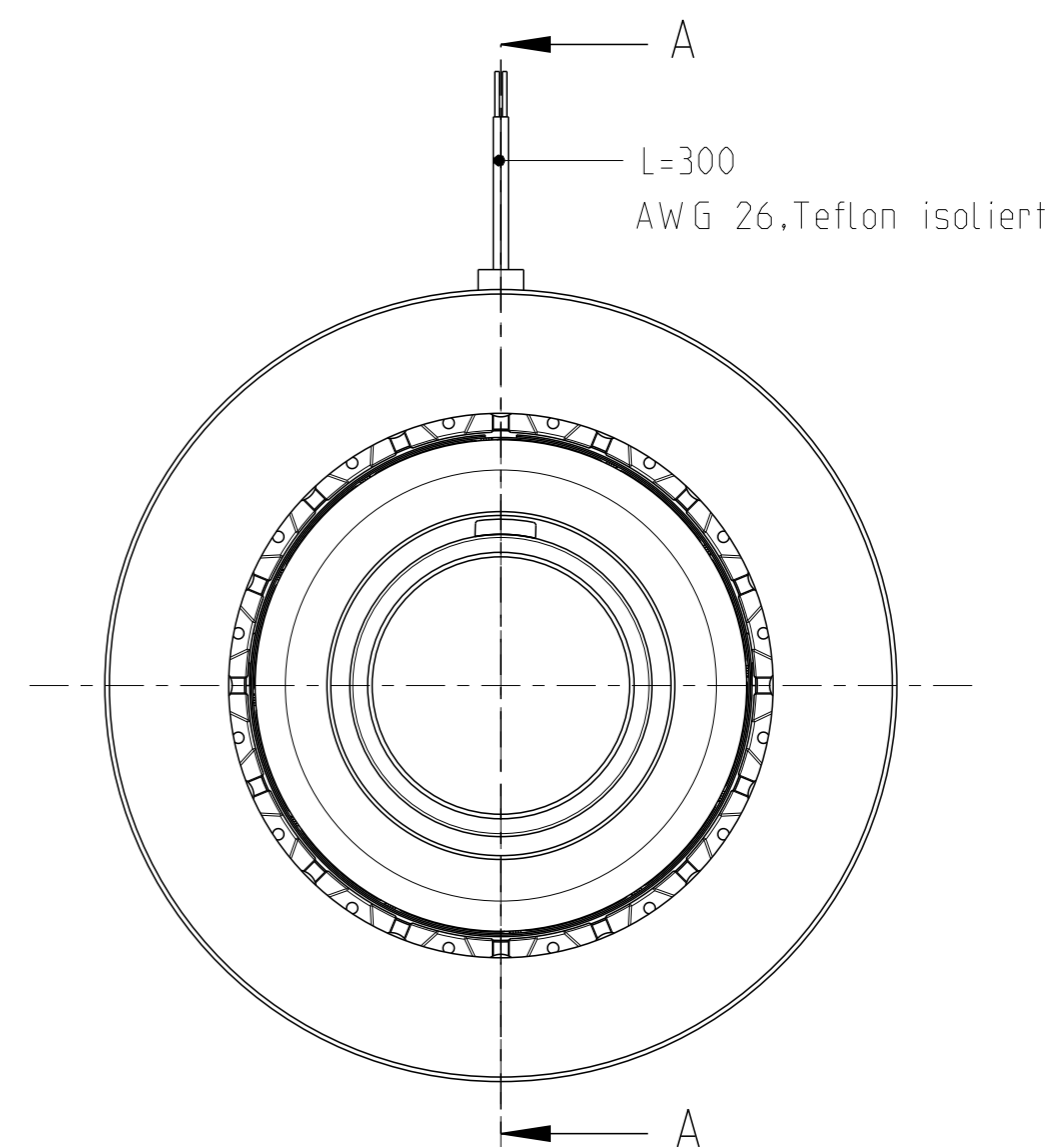
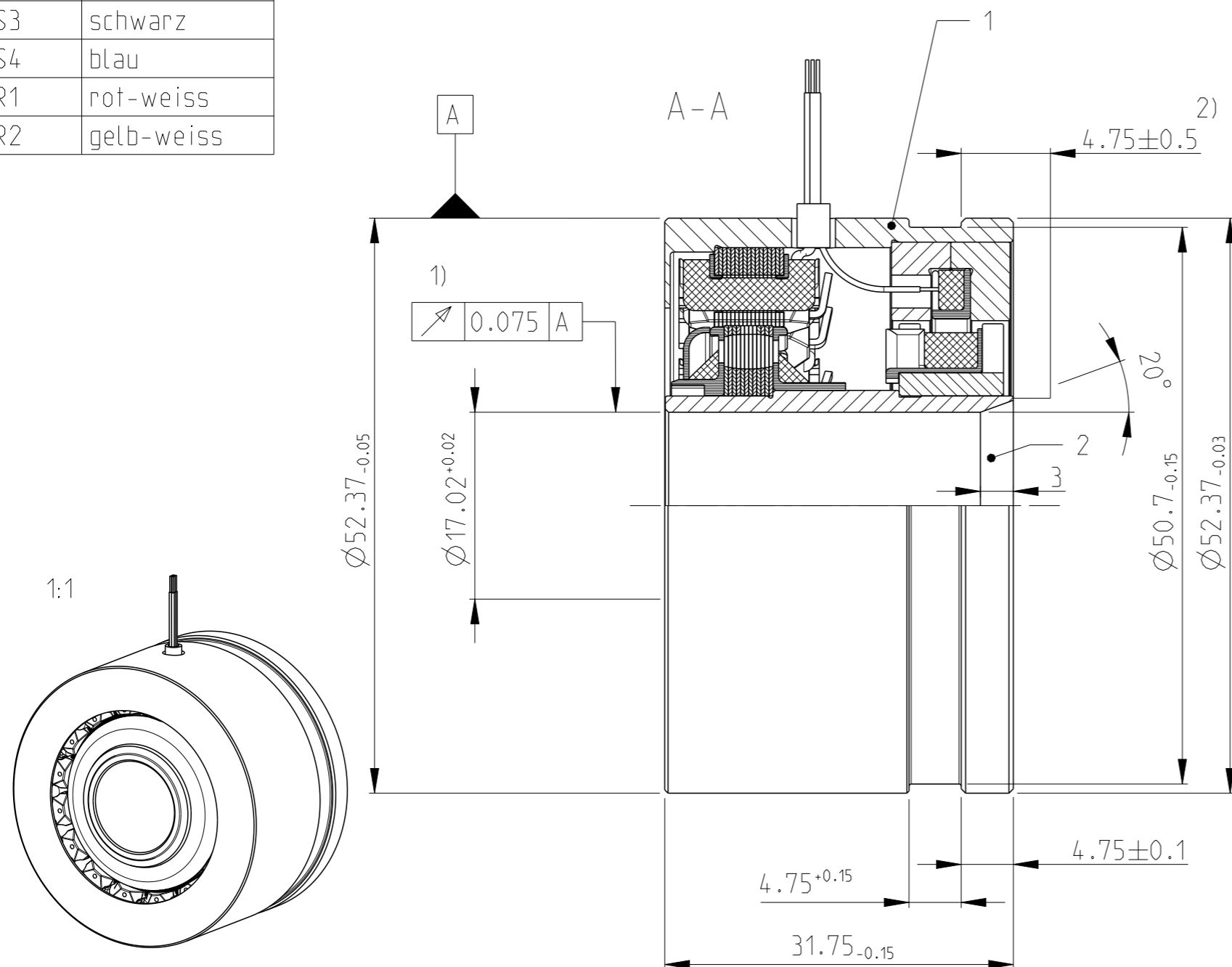


REVISIONS

P	LTR	DESCRIPTION	DATE	DWN	APVD
	A2	INITIAL RELEASE	01JULY2015	GCM	PL

Signal	Aderfarbe
S1	rot
S2	gelb
S3	schwarz
S4	blau
R1	rot-weiss
R2	gelb-weiss



Ersetzt / replace V23401-T8002-B802

1) Gesamtschlag im eingebauten Zustand
 2) Axialversatz

REVISION OF EACH ASSY NO. (WHEN BLANK, USE DWG. REVISION)	PARTNUMBER	DESCRIPTION	ITEM NO
1	1-1824344-0	Rotor kpl. / Bauform B8 (12N)	2
1	1-1824213-0	Gehäuse kpl. / Bauform T8	1
1-1824452-0	PARTNUMBER	DESCRIPTION	ITEM NO
PARTS LIST			

THIS DRAWING IS A CONTROLLED DOCUMENT.	
DIMENSIONS: mm	TOLERANCES UNLESS OTHERWISE SPECIFIED:
	0 PLC ±
	1 PLC ±
	2 PLC ±
	3 PLC ±
	4 PLC ±
MATERIAL	FINISH
-	-
-	-

DWN GANESH C M 01JULY2015	TE Connectivity	NAME Massbild Hohlwellendrehmelder Dimensional Drawing Resolver V23401-T8002-B802	RESTRICTED TO
CHK P. LERCHENFELD 01JULY2015			
APVD P. LERCHENFELD 01JULY2015			
PRODUCT SPEC			
APPLICATION SPEC	SIZE A3	CAGE CODE 00779	DRAWING NO C-6-1393048-0
WEIGHT	SCALE 2:1	SHEET 1 OF 1	REV A2
Customer Drawing			