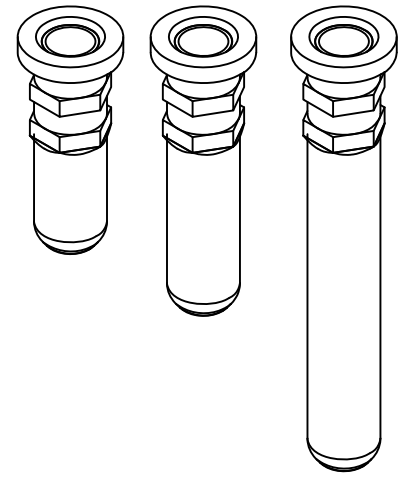
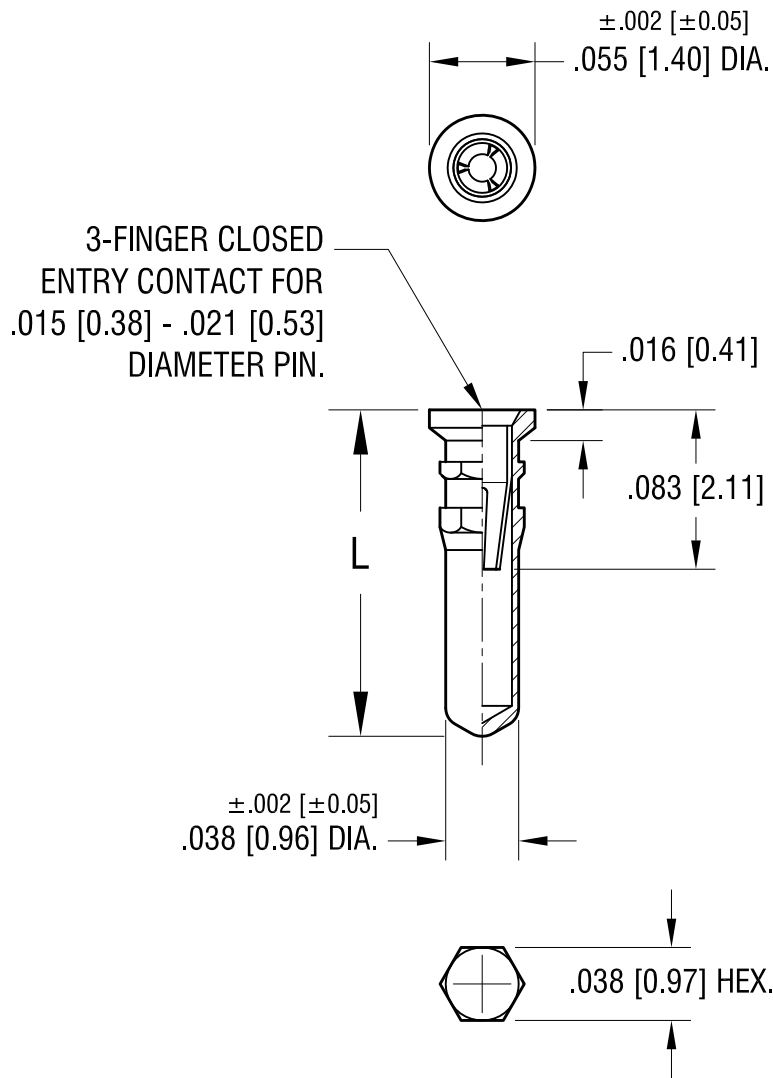


THIS DOCUMENT IS THE PROPERTY OF  
KEYSTONE ELECTRONICS CORP. AND  
SHALL NOT BE REPRODUCED, DISTRIBUTED  
OR USED AS A BASIS FOR MANUFACTURE  
WITHOUT PRIOR WRITTEN PERMISSION  
FROM KEYSTONE ELECTRONICS CORP.



- NOTES:
1. BODY: MAT'L - BRASS  
SPRING CONTACT: MAT'L - BERYLLIUM COPPER
  2. MOUNTING HOLE DIA.: .040 [1.02]

PART NO.	'L' DIM.
1432-1	.140 [3.56]
1432-2	.170 [4.32]
1432-3	.282 [7.16]

**KEYSTONE ELECTRONICS CORP.**  
www.keyelco.com • ASTORIA, N.Y. 11105-2017 • Tel (718) 956-8900

PART NAME: MICRO JACK, PRESS-FIT

MATERIAL: AS NOTED

FINISH: TIN/LEAD PLATE	DRN BY: BOONE	DATE: 2.15.07
	APP'D: LN	SCALE: 10X

TOLERANCES: INCH [MM]  
DECIMAL: ± .005 [± 0.13]  
ANGULAR: ± 1°  
UNLESS OTHERWISE SPECIFIED

CODE: C/M

DWG NO.: 1432-1 - 1432-3

7.20.11	CHANGE AS PER ECN 11-096	A
DATE	DESCRIPTION	REV.