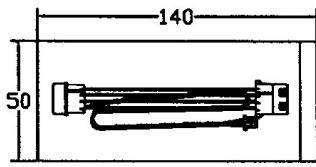
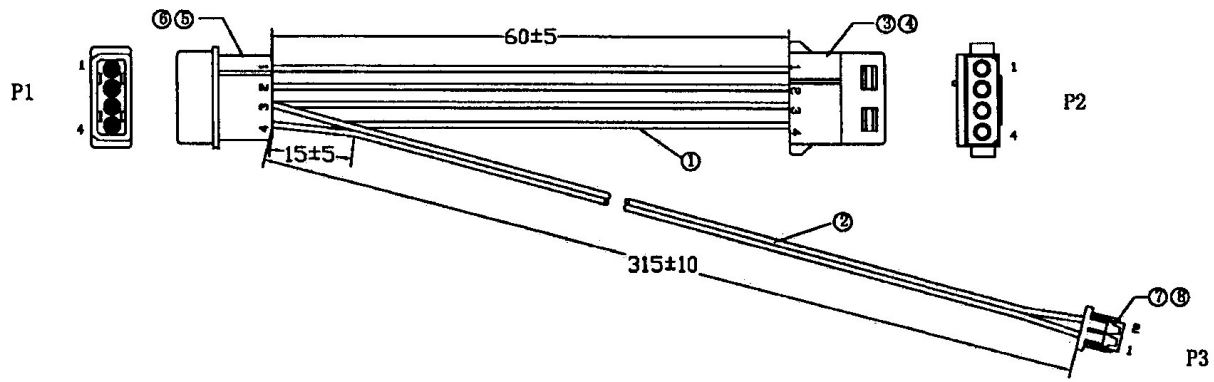


REV	DATE	DETAILS



NOTE: 1. 一般导通测试.  
 2. OPEN/SHORT TEST:100%  
 3. CONDUCTOR RESISTANCE:3Ω  
 4. INSULATION RESISTANCE:20MΩ  
 5. CURRENT RATING:300VDC/10ms

PS: 单条PE袋包装

TERMINATION:

P1	COLOR	P2	P3
1	YELLOW	1	
2	BLACK	2	
3	BLACK	3	2
4	RED	4	1

ITEM	PART NAME	SPECIFICATION
8	TERMINAL	JSY A1251T PH1. 25mm OR WL1025-T-T-S WL OR I12501PS-2 WST OR 2401PS-2 STM OR EQ
7	HOUSING	JSY A1251H-2P PH1. 25mm OR WL1025H-02 WL OR P2-I12501 WST OR P24012 STM OR EQ
6	TERMINAL	JSY C5081M-T OR A00202BS-2 WST OR C5081TOB-2 JWT OR EQ
5	HOUSING	JSY C5081HM-4P OR A00202 WST OR C5081H02 JWT OR EQ
4	TERMINAL	JSY C5082F-T OR A10204BS-2 WST OR C5082T2B-2 JWT OR EQ
3	HOUSING	JSY C5082HF-4P OR A10202 WST OR C5082H02-4P JWT OR EQ
2	WIRE	UL1061 28AWG/2C ODO. 9mm 红黑雙並線
1	WIRE	UL1007 18AWG STR



翔霖國際有限公司  
 SHINING INTERNATIONAL LTD

APPROVED	CHECKED	DRAWN BY	UNIT	TITLE	CUSTOMER P.Number	D.W NUMBER	REV
		FANG	mm	大西P*2 TO HSG2P			A
		2010.03.16	SCALE	L=60/315MM	CUSTOMER Name	YZ100316HSG315	PAGE NO
			NOT		YZ		1 / 1