




Product information GSA 2000 A schwarz/black

Industrial Connecting Solutions:Rectangular Connectors:Valve Connectors (Type A -B -C):Type A:Receptacle Valve Connectors (DIN EN 175 301-803):GSA 2000 A schwarz/black

<http://www.e-catalog.beldensolutions.com/link/57078-24228-256261-256266-256270-276216-35134/en/conf/ui/istate>

Name	GSA 2000 A schwarz/black
	
	appliance connector with retaining nut, without screws, longitudinal slots, closed nut
Delivery informations	
Availability	available
Product description	
Description	appliance connector with retaining nut, without screws, longitudinal slots, closed nut
Type	GSA 2000 A schwarz/black
Order No.	932 592-500
Number of contacts	2 + PE
Standard	DIN EN 175 301-803-A
Housing Color	black
Construction type	A
Technical data	
Rated voltage	AC/DC 400 V
Rated current	16 A
Contact resistance	<= 4 mOhm
Type of termination	solder, holes for possibility of soldering on both sides (ground contacts: screw)
Mounting	screw
Material	
Contact surface material	Sn
Contact bearer material	PA
Housing material	PA
Environmental conditions	
Protection class (IEC 60529)	IP 65 (gasket necessary) (mated)
Pollution severity	3
Temperature range	-40 °C to +125 °C
Inflammability class	
Contact bearer	94 V-0
Approvals	
UR	UR
VDE	VDE
SEV	SEV
CSA	CSA
Packing unit	
Packaging unit	200 pieces
Scope of delivery and accessories	
Accessories to order separately	(NBR) flat gasket GSA 200-4, Order no. 730 843-002; (EPDM) flat gasket GSA 200-7, Order no. 730 268-003



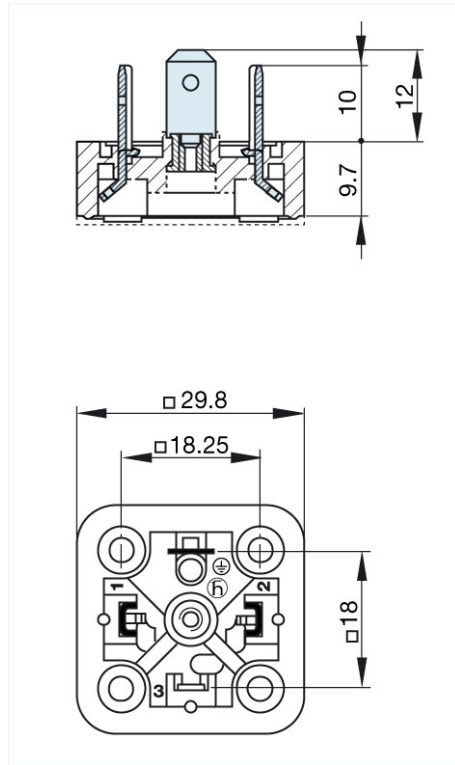
HIRSCHMANN

A BELDEN BRAND

Industrial Connecting Solutions:Rectangular Connectors:Valve Connectors (Type A -B -C):Type A:Receptacle Valve Connectors (DIN EN 175 301-803):GSA 2000 A schwarz/black
<http://www.e-catalog.beldensolutions.com/link/57078-24228-256261-256266-256270-276216-35134/en/conf/ui/state>

Picture

Drawing



Belden Deutschland GmbH

Im Gewerbepark 2
58579 Schalksmühle
Germany
Phone: +49 7127/14-1806
E-Mail: icos-sales@belden.com

The information published in the websites has been compiled as carefully as possible. It is subject to alteration without notice in technical as well as in price-related/commercial respect. The complete information and data were available on user documentation. Mandatory information can only be obtained by a concrete query.