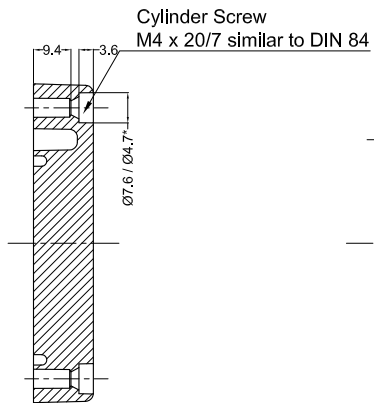
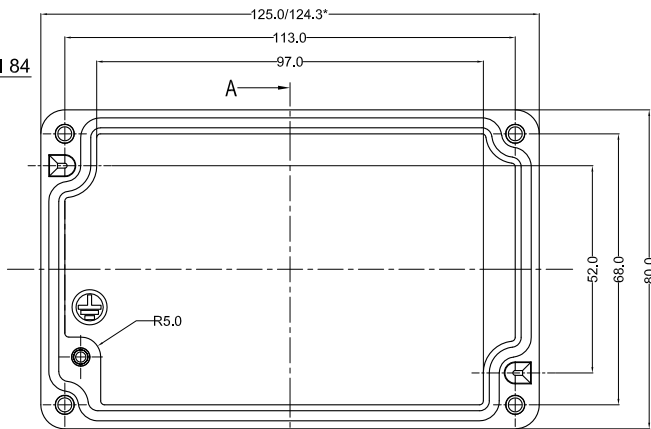


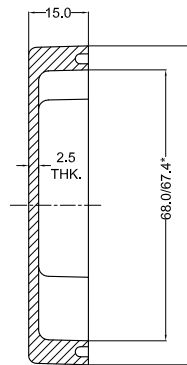
* = Conical form tapering downward.
 Untoleranced dimensions per GTA 13/5 DIN 1688



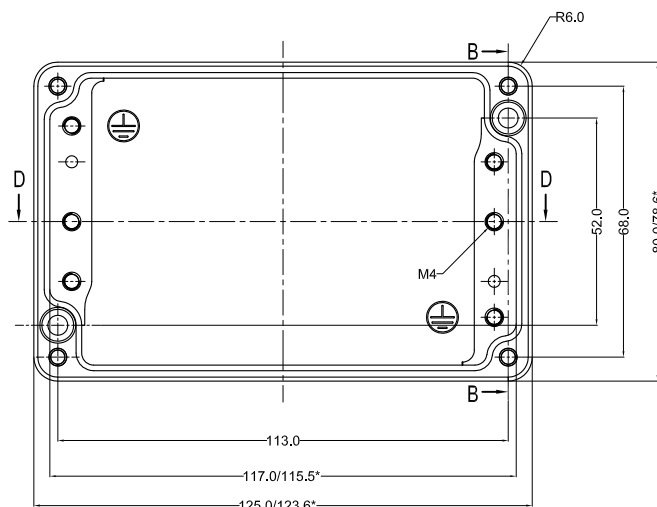
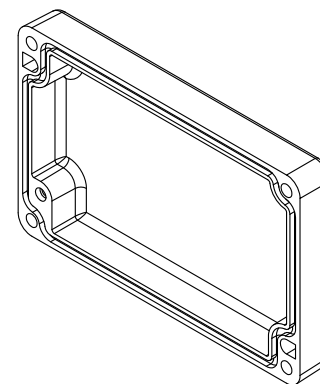
SECTION A-A



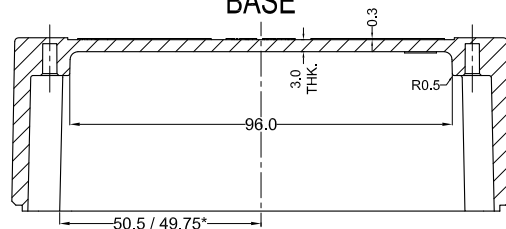
LID



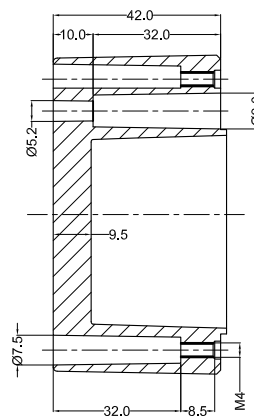
SECTION A-A



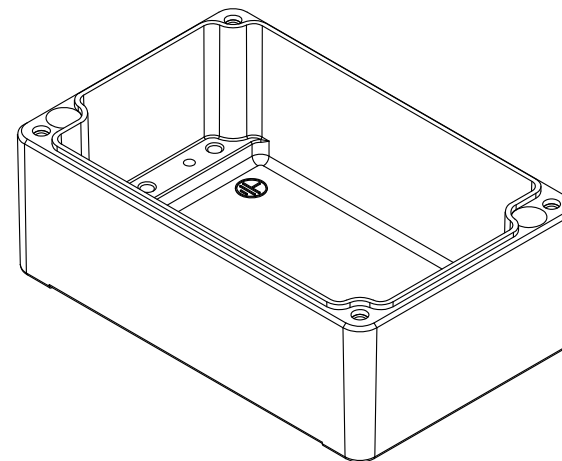
BASE



SECTION D-D



SECTION B-B



QUANTITY	MATERIAL :-	MACH.NAME	DATE	SIGN	NAME	
-	Alsi12 Din230	-			RRPL	DESIGN
			30/04/12		MANOJ	DRAWN
		TITLE :- JUNCTION BOX 125 x 80 x 57	30/04/12		PAVAN	CHECKED
					S.D.	APPROVED
	WEIGHT: - FINISH: NATURAL	Raychem RPG (P) Limited	SCALE	PARTNO.	0	
TOLERANCE	±0.2 DIMENSIONS ±0.2 HOLES ±1.0° ANGLES	Ceat Mahal Annexe, Dr. Annie Besant Road, Worli, Mumbai 400030 Web : www.raychemrpg.com	REV	DRG. NO.		
			0		AJB-1258057	

PROPERTY OF RaychemRPG (P) LTD.
 ALL RIGHTS RESERVED AND/OR PHOTOCOPYING THIS DOCUMENT
 TO A PERSON WITHOUT RaychemRPG (P) LTD. WRITTEN AUTHORIZATION IS PROHIBITED

PRODUCED BY AN AUTODESK EDUCATIONAL PRODUCT

PRODUCED BY AN AUTODESK EDUCATIONAL PRODUCT