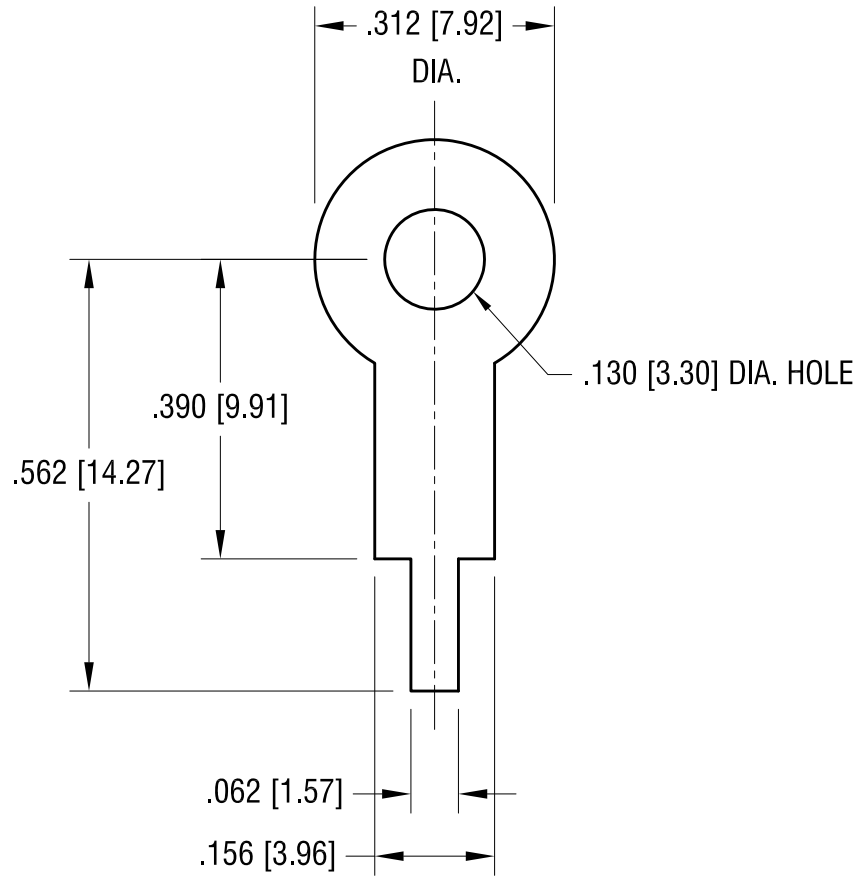


THIS DOCUMENT IS THE PROPERTY OF
KEYSTONE ELECTRONICS CORP. AND
SHALL NOT BE REPRODUCED, DISTRIBUTED
OR USED AS A BASIS FOR MANUFACTURE
WITHOUT PRIOR WRITTEN PERMISSION
FROM KEYSTONE ELECTRONICS CORP.



KEYSTONE ELECTRONICS CORP.

www.keyelco.com • ASTORIA, N.Y. 11105-2017 • Tel (718) 956-8900

PART NAME		PC TEST POINT TERMINAL	
MATERIAL		.016 [0.40] TH'K BRASS	
FINISH	MATTE TIN PLATE	DRN BY	BOONE
		APP'D	LN
		DATE	7.31.95
		SCALE	4X
TOLERANCES	INCH [MM]	CODE	DWG NO.
DECIMAL	± .005 [± 0.15]	C/M	680
ANGULAR	± 1°		
UNLESS OTHERWISE SPECIFIED			

8.14.09	CHANGE AS PER ECN 09-113	B
7.01.02	CHANGE AS PER ECN 09-093	A
DATE	DESCRIPTION	REV.