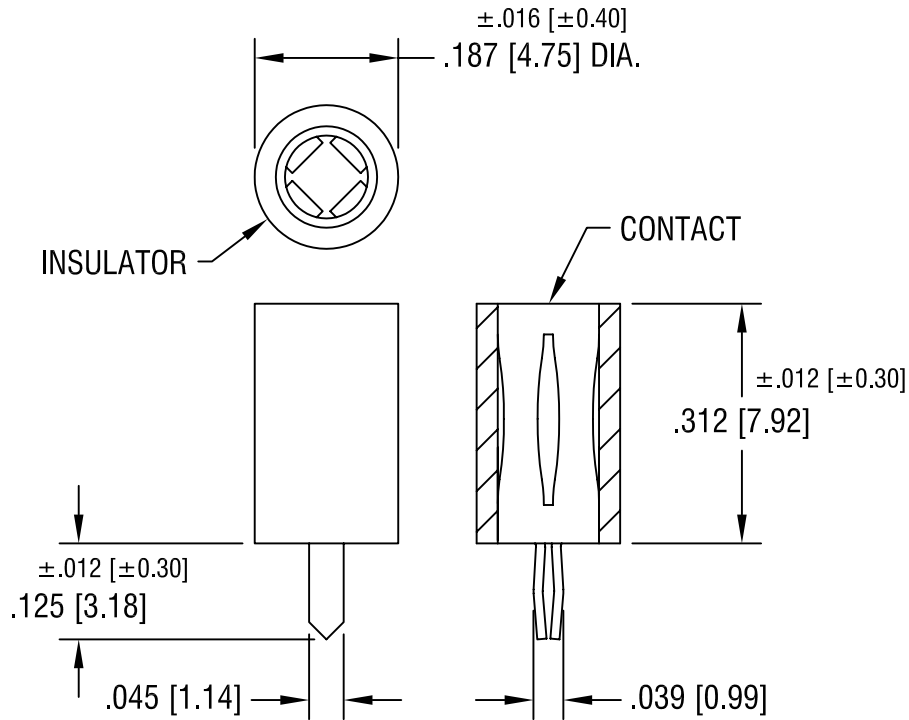


THIS DOCUMENT IS THE PROPERTY OF  
KEYSTONE ELECTRONICS CORP. AND  
SHALL NOT BE REPRODUCED, DISTRIBUTED  
OR USED AS A BASIS FOR MANUFACTURE  
WITHOUT PRIOR WRITTEN PERMISSION  
FROM KEYSTONE ELECTRONICS CORP.



PART NO.	BODY COLOR
6042	WHITE
6043	RED
6044	BLACK
6045	YELLOW
6046	GREEN
6047	BLUE

NOTES:

- 1. INSULATOR:  
MAT'L - NYLON 6/6
- CONTACT :  
MAT'L - BERYLLIUM COPPER, SILVER PLATE

DATE	DESCRIPTION	REV.
4.29.08	CHANGE AS PER ECN 08-103	C
4.18.08	CHANGE AS PER ECN 08-102	B
8.24.07	CHANGE AS PER ECN 07-048	A

**KEYSTONE ELECTRONICS CORP.**  
ASTORIA, N.Y. 11105-2017

PART NAME: SNAP-IN VERTICAL PC TEST JACK

MATERIAL: AS NOTED

FINISH: AS NOTED	DRN BY: BOONE	DATE: 12.6.06
	APP'D: LN	SCALE: 4X

TOLERANCES: INCH [MM]  
DECIMAL:  $\pm .005$  [ $\pm 0.15$ ]  
ANGULAR:  $\pm 1^\circ$   
UNLESS OTHERWISE SPECIFIED

CODE: C

DWG NO. **6042 - 6047**