

Panel PC

15.1" SUPER Fanless Bezel-free Panel PC



Touch Screen



31385CW Back Panel



31385CW Back Panel (Option)

Feature :

Fanless, Touch Screen, IP65 Front Panel Water Proof, LED Backlight panel

Panel PC Information

Resolution	1024 x 768
Luminance (cd/m2)	450
Contrast Ratio	800:1
Backlight	LED
Viewing Angle (H-V)	80 / 80 / 80 / 80 CR≥10 (L / R / U / D)
Touch Screen	Resistive Touch screen (Capacitive touch screen-option)
Mounting Spec.	VESA 75
Panel frame water proof	IP65
Accessory (Option)	Wall Mount Kit / Stand

Application:

Restaurant Cashier, Kitchen, retail, outdoor self-service terminal, Traffic Control, Automation, Military Industry

Bezel Free Panel PC

Dimension	404.1W x 68.7H x 335D mm 404.1W x 82.7H x 335D mm (Optional)
Chassis Material	Plastic
Weight	3.5kg (Incl. M/B)
Storage Space	mSATA / 1 x 2.5" HDD
Operation Humidity	5 ~ 90% @ 39°C, non-condensing

M/B information: (Please refer to M/B specification)

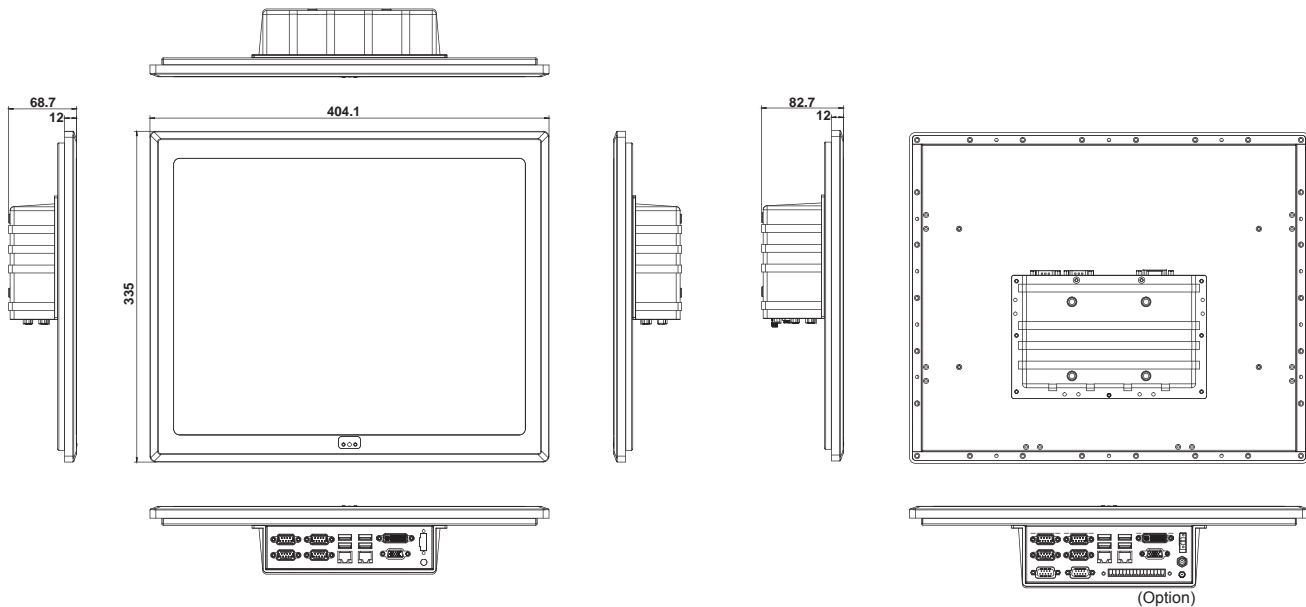
CPU Type	M/B Model	VGA	COM	LAN	USB	Other Function	Operation Temp.	
							mSATA	HDD
Intel® Bay-Trail E3845 / J1900	31385CW	1	4	2	4	2 x mini Card DC IN +9~36V	60°C	50°C
Intel® Skylake-U / Kaby Lake-U Core i	31610CW	1	4	2	4	2 x mini Card DC IN +9~36V	60°C	50°C

Optional Functions

3G / 4G	Wi-Fi	Bluetooth	High Brightness Panel	GPS	Rechargeable Battery
---------	-------	-----------	-----------------------	-----	----------------------

The above available functions outline the possibility with system, please contact us for more information.

Dimension



(Option)