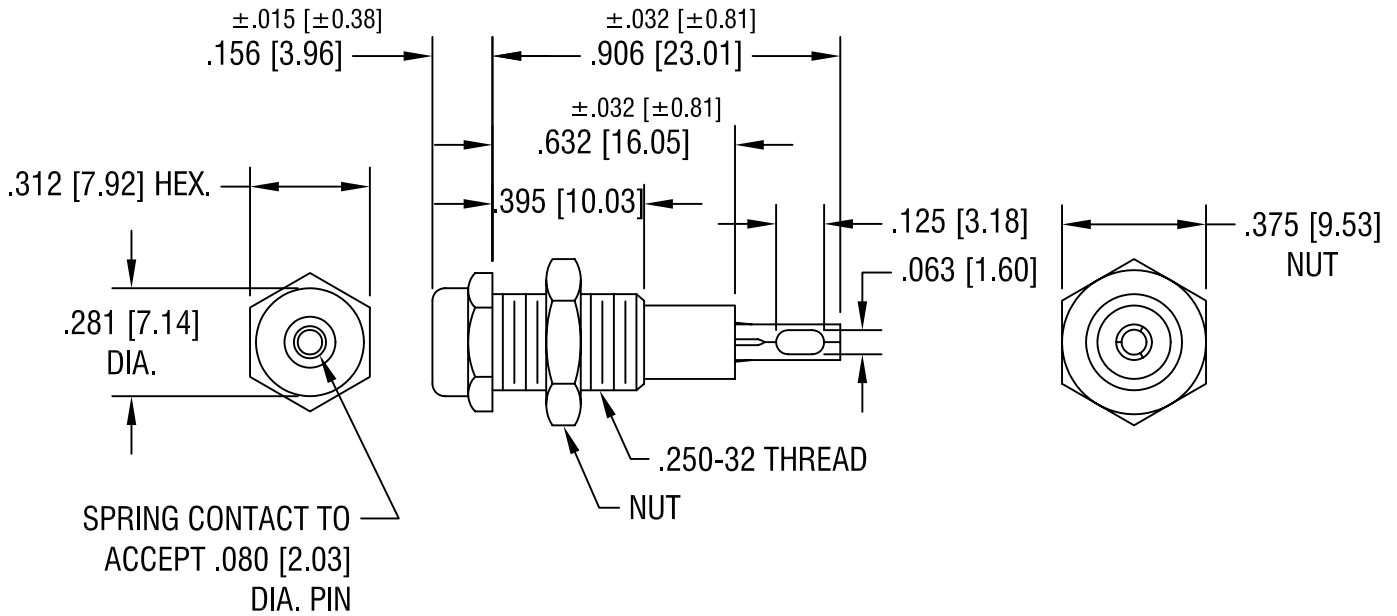


RATINGS:

CURRENT: 10 AMPS
BREAKDOWN VOLTAGE: 5700 V RMS
CONTACT RESISTANCE: 0.010 OHMS MAX.
CONTACT-TO-PANEL C: 2 pF NOMINAL



NOTES:

1. CONTACT:

MAT'L - PHOSPHOR BRONZE
SILVER PLATE

BODY:

MAT'L - NYLON 6/6 PER ASTM D4066

2. SHELL, NUT:

BRASS, NICKEL PLATE.
HARDWARE SUPPLIED
UNASSEMBLED.

PART NO.	COLOR
6024	WHITE
6025	RED
6026	BLACK
6027	GREEN
6028	YELLOW
6029	BLUE

2.5.03 CHANGE AS PER ECN 03-012

A

DATE

DESCRIPTION

REV.

KEYSTONE ELECTRONICS CORP.			
ASTORIA, N.Y. 11105-2017			
PART NAME INSULATED METAL-CLAD TIP JACK			
MATERIAL AS NOTED			
FINISH AS NOTED		DRN BY BOONE	DATE 12.7.82
		APPD LN	SCALE 2X
TOLERANCES DECIMAL ANGULAR UNLESS OTHERWISE SPECIFIED	INCH [MM] ±.005 [±0.15] ± 1°	CODE C/M	DWG NO. 6024-6029