

4

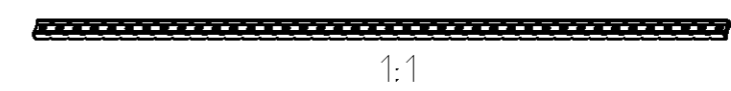
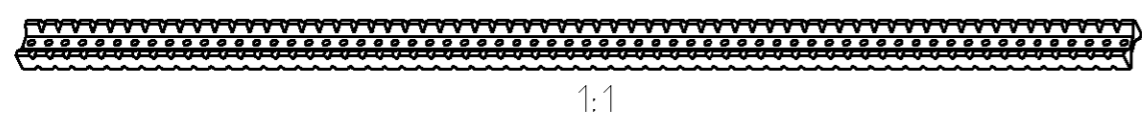
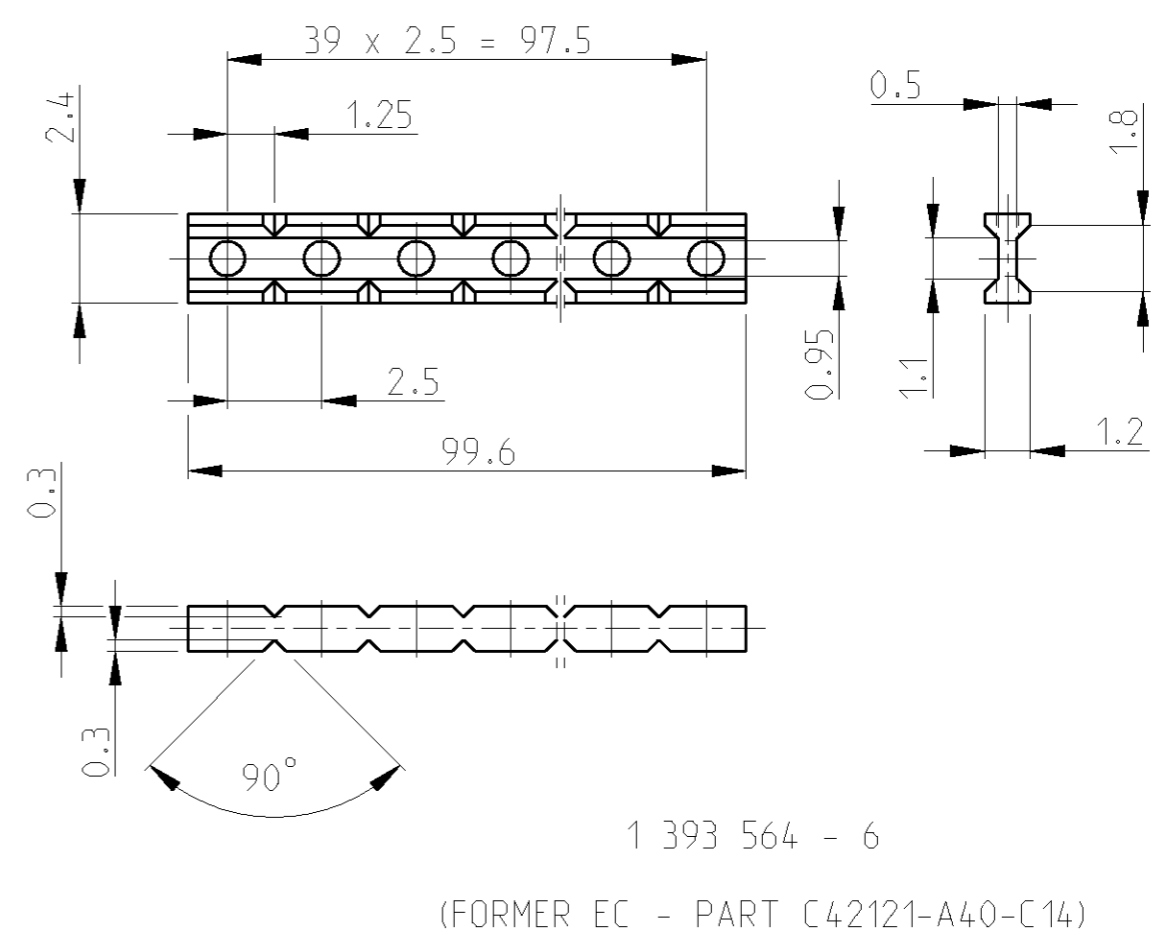
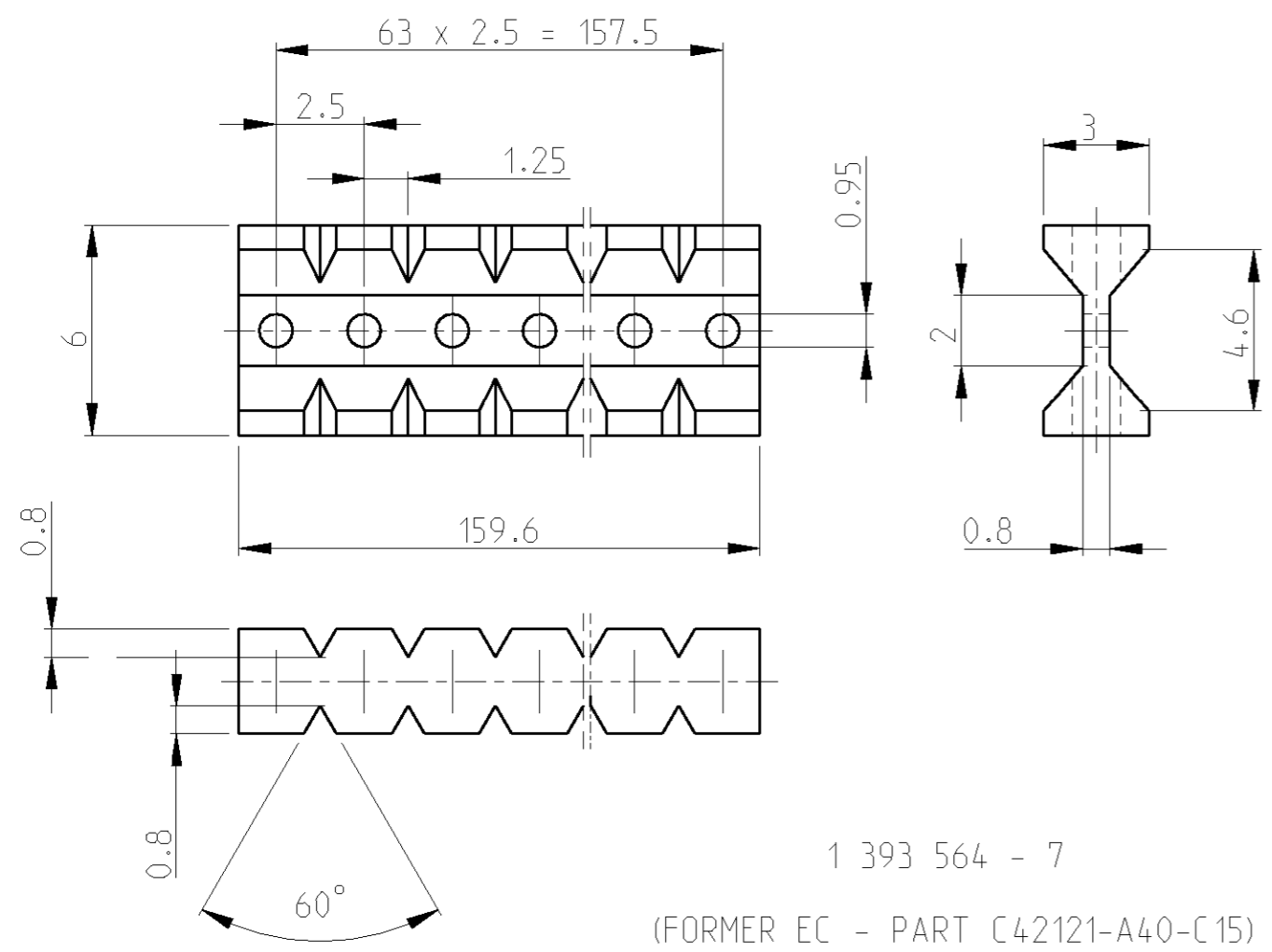
3

2

1

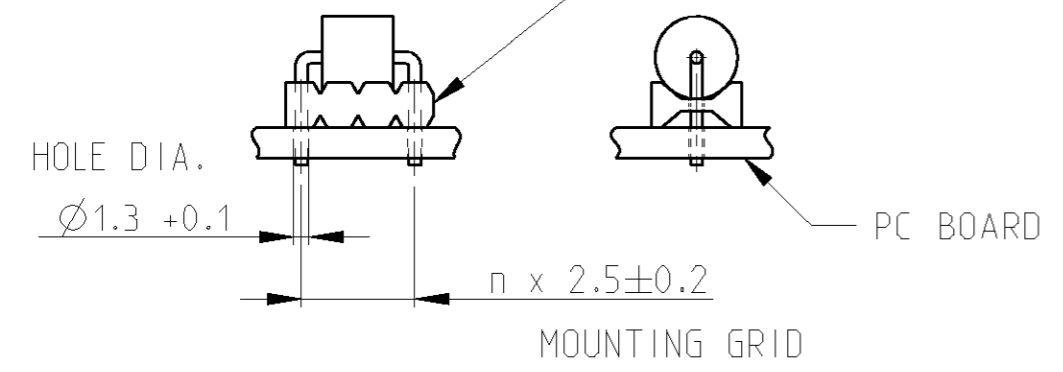
THIS DRAWING IS UNPUBLISHED. RELEASED FOR PUBLICATION 2000  
 © COPYRIGHT 2000 BY TYCO ELECTRONICS CORPORATION. ALL RIGHTS RESERVED.

LOC	DIST	REVISIONS					
		P	LTR	DESCRIPTION	DATE	DWN	APVD
A1	-		A	PART NUMBERS CHANGED TO TYCO ELECTRONICS	11SEP2001	ACK	GF



APPLICATION EXAMBLE  
2:1

CUTTED TO LENGHT  
BEFORE MOUNTING



<small>THIS DRAWING IS A CONTROLLED DOCUMENT FOR TYCO ELECTRONICS CORPORATION IT IS SUBJECT TO CHANGE AND THE CONTROLLING ENGINEERING ORGANIZATION SHOULD BE CONTACTED FOR THE LATEST REVISION.</small>		DWN G.ACKERMANN 11SEP2001 CHK M.SCHLEIHAUF - APVD G.FELDMEIER - PRODUCT SPEC - APPLICATION SPEC - WEIGHT -	<b>tyco</b> <b>Electronics</b>	tyco Electronics AMP GmbH D - 67346 Speyer
DIMENSIONS: mm	TOLERANCES UNLESS OTHERWISE SPECIFIED: ±0.2	NAME MOUNTING FIXTURES HALTERUNG		
	0 PLC ± 1 PLC ± 2 PLC ± 3 PLC ± 4 PLC ± ANGLES ±°	SIZE A3 CAGE CODE 00779 DRAWING NO C=1393564-7 RESTRICTED TO -		
MATERIAL PC	FINISH -	CUSTOMER DRAWING SCALE 5:1 SHEET 1 OF 1 REV A		