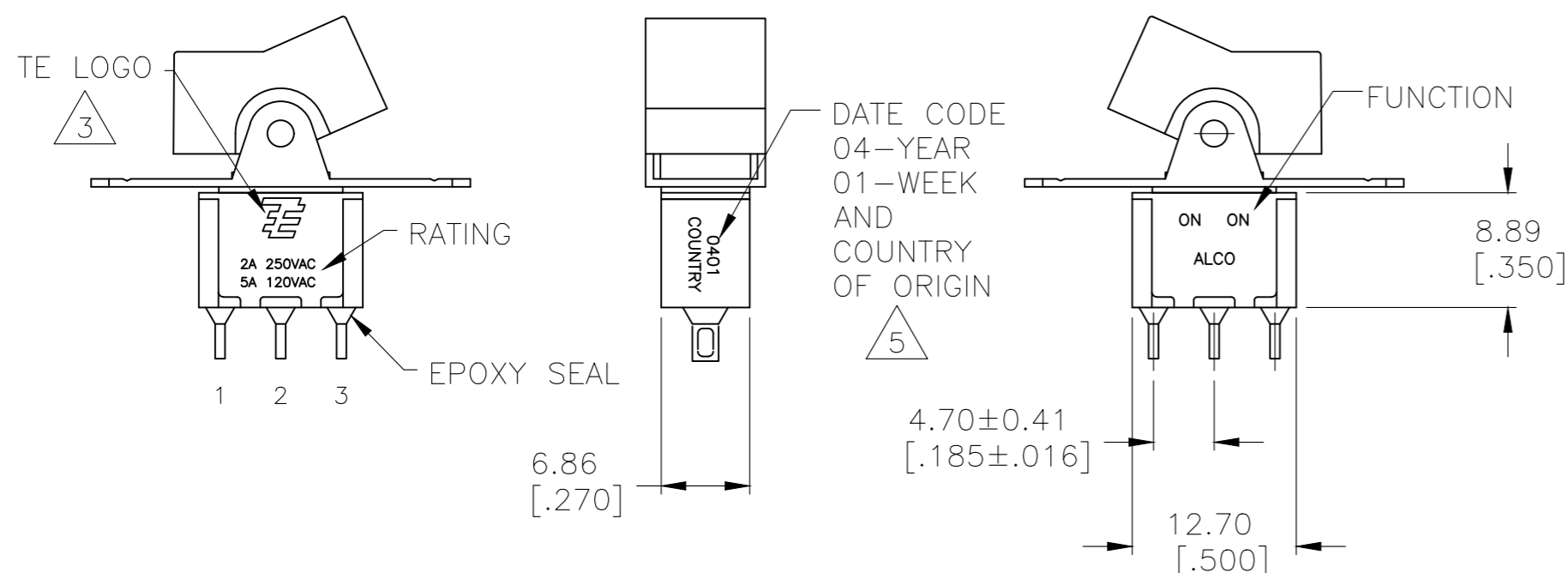


| REVISIONS |     |                           |           |     |      |
|-----------|-----|---------------------------|-----------|-----|------|
| P         | LTR | DESCRIPTION               | DATE      | DWN | APVD |
|           | A12 | REVISED PER ECO-17-001761 | 10MAY2017 | RK  | AS   |



- 1 ALL MATERIALS AND FINISHES SHALL COMPLY WITH EU DIRECTIVE 2002/95/EC OF 27JAN2003 (ROHS).
- 2 G CONTACT OPTION CAN BE USED FOR SIGNAL OR POWER LEVEL SWITCHING. IF SWITCH IS USED AT LEVELS EXCEEDING .4VA @ 20V AC/DC, SWITCH IS RENDERED FOR POWER SWITCHING ONLY DUE TO ARC REMOVAL OF GOLD PLATING. RATING MARKED ON SWITCH IS 2A 250VAC, 5A 120VAC.
- 3 TE CONNECTIVITY LOGO PER PER TEC-202-36.
- 5 DATE CODE AND COUNTRY OF ORIGIN MAY APPEAR ON EITHER SIDE OF SWITCH.
- 6 PANEL MOUNT BRACKET SUPPLIED WITH TERMINALS W, Z AND Z3 ONLY.
- 7 ACTUATOR MARKED  -
- 8 ACTUATOR MARKED -
- 9 ACTUATOR MARKED -
- 10 ALL LOGO, RATING, DATE CODE, AND FUNCTION MARKINGS TO BE LASER MARKED.
- 11 OBSOLETE
- 12 GRAY ACTUATOR WITH MODIFIED BRACKET (SUPPORT BRACKET TRIMMED PARALLEL TO THE PCB)

| FUNCTION CHART      |       |       |       |
|---------------------|-------|-------|-------|
| FUNCTION            |       |       |       |
|                     | 1 2 3 | 1 2 3 | 1 2 3 |
| 01                  | ON    | NONE  | ON    |
| 03                  | ON    | OFF   | ON    |
| 05                  | (ON)  | OFF   | (ON)  |
| 07                  | ON    | OFF   | (ON)  |
| 08                  | ON    | NONE  | (ON)  |
| TERMINALS CONNECTED | 2-3   | ---   | 1-2   |

NONE: NO MECHANICAL POSITION  
 OFF: MECHANICAL POSITION WITH NO ELECTRICAL CONNECTION  
 (ON): MOMENTARY ACTION

| SPECIFICATIONS                  |  |
|---------------------------------|--|
| RATING, B CONTACTS              | .4VA MAX @20V MAX. AC OR DC              |
| RATING, G CONTACTS--SEE NOTE 2  | .4VA MAX @20V MAX. AC OR DC OR           |
|                                 | 5A @120 VAC OR 28 VDC (RESISTIVE)        |
| RATING, Q CONTACTS              | 2A @250 VAC (RESISTIVE)                  |
|                                 | 5A @120 VAC OR 28 VDC (RESISTIVE)        |
| ELECTRICAL LIFE                 | 6,000 CYCLES AT RATED LOAD               |
| CONTACT RESISTANCE              | 10 MILLIOHMS MAX INITIAL @ 2-4VDC, 100MA |
| INSULATION RESISTANCE           | 1,000 MEGOHMS MIN                        |
| DIELECTRIC WITHSTANDING VOLTAGE | 1,000 V RMS AT SEA LEVEL                 |
| OPERATING TEMPRATURE            | -30C TO 85C                              |

| PART NUMBER SEQUENCE CHART |          |          |          |         |                |               |      |
|----------------------------|----------|----------|----------|---------|----------------|---------------|------|
| MODEL                      | FUNCTION | ACTUATOR | TERMINAL | CONTACT | ACTUATOR COLOR | BEZEL COLOR   | ROHS |
| A1                         |          |          |          |         |                |               | 04   |
|                            | 01       | J1       | A        | B       | 0 BLACK (STD)  | 0 BLACK (STD) |      |
|                            | 03       | J3       | AV2      | G       | 1 BROWN        | 1 BROWN       |      |
|                            | 05       | J50      | C        | Q       | 2 RED          | 2 RED         |      |
|                            | 07       | J51      | V3       |         | 3 ORANGE       | 3 ORANGE      |      |
|                            | 08       | J52      | V4       |         | 4 YELLOW       | 4 YELLOW      |      |
|                            |          | J2       | V6       |         | 5 GREEN        | 5 GREEN       |      |
|                            |          | J4       | V7       |         | 6 BLUE         | 6 BLUE        |      |
|                            |          | J60      | W        |         | 8 GRAY         | 8 GRAY        |      |
|                            |          | J61      | W4       |         | 9 WHITE        | 9 WHITE       |      |
|                            |          | J62      | Z        |         |                |               |      |
|                            |          |          | Z3       |         |                |               |      |

THIS DRAWING IS A CONTROLLED DOCUMENT.

|      |          |         |
|------|----------|---------|
| DWN  | M.BINNER | 06JAN05 |
| CHK  | M.ZITTO  | 06JAN05 |
| APVD | M.ZITTO  | 06JAN05 |

TE Connectivity

GEMINI A SERIES ROCKER SWITCH SINGLE POLE

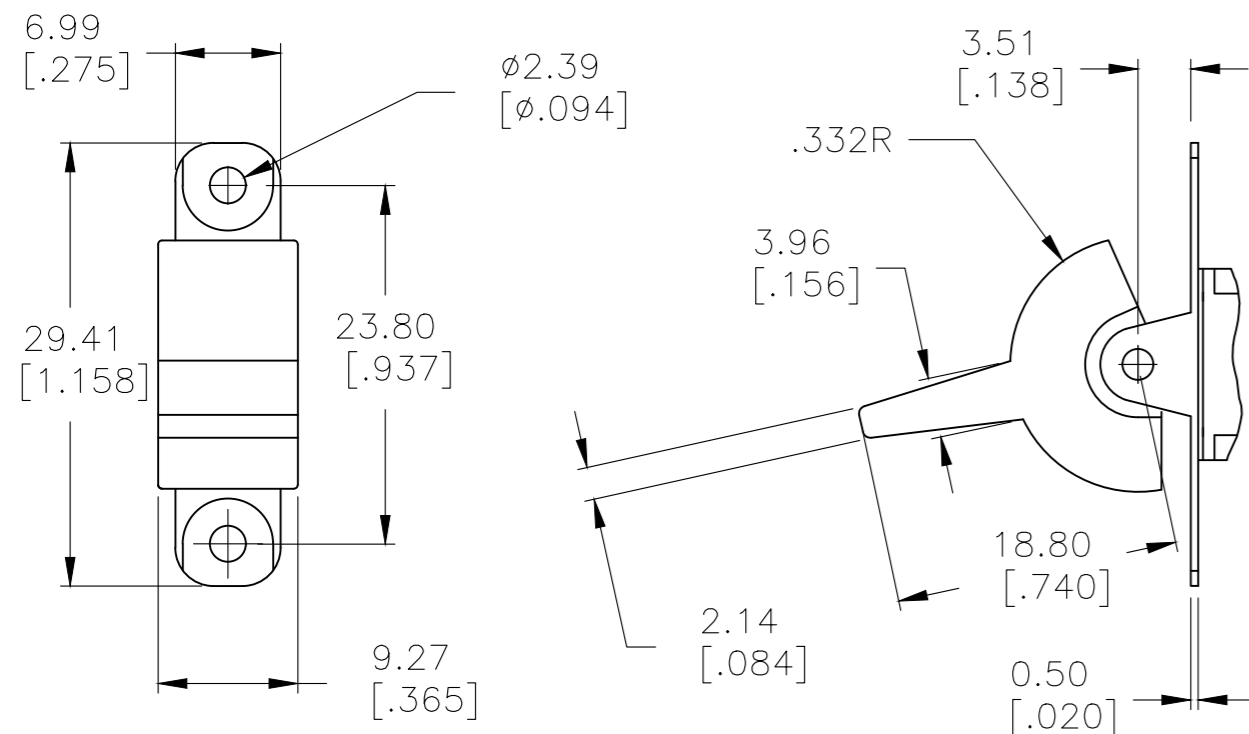
|      |           |            |               |
|------|-----------|------------|---------------|
| SIZE | CAGE CODE | DRAWING NO | RESTRICTED TO |
| A2   | 00779     | C-1571986  | -             |

CUSTOMER DRAWING SCALE 2:1 SHEET 1 of 5 REV A12

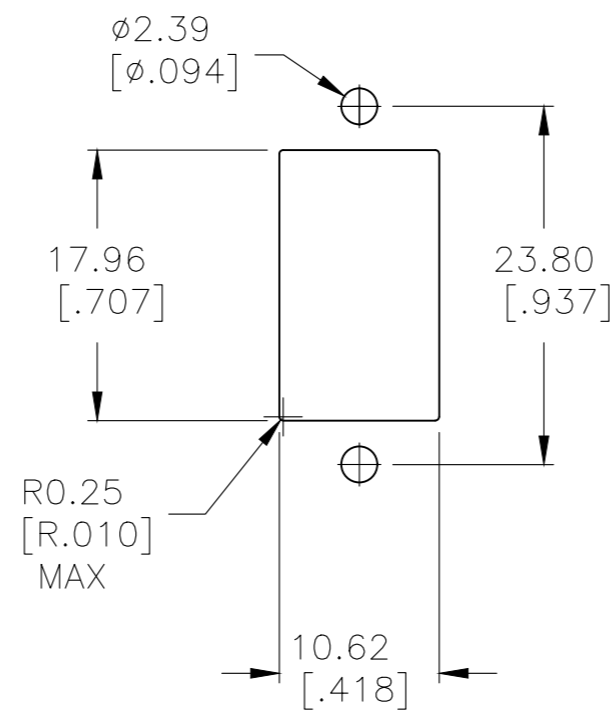


THIS DRAWING IS UNPUBLISHED. RELEASED FOR PUBLICATION  
 © COPYRIGHT - By - ALL RIGHTS RESERVED.

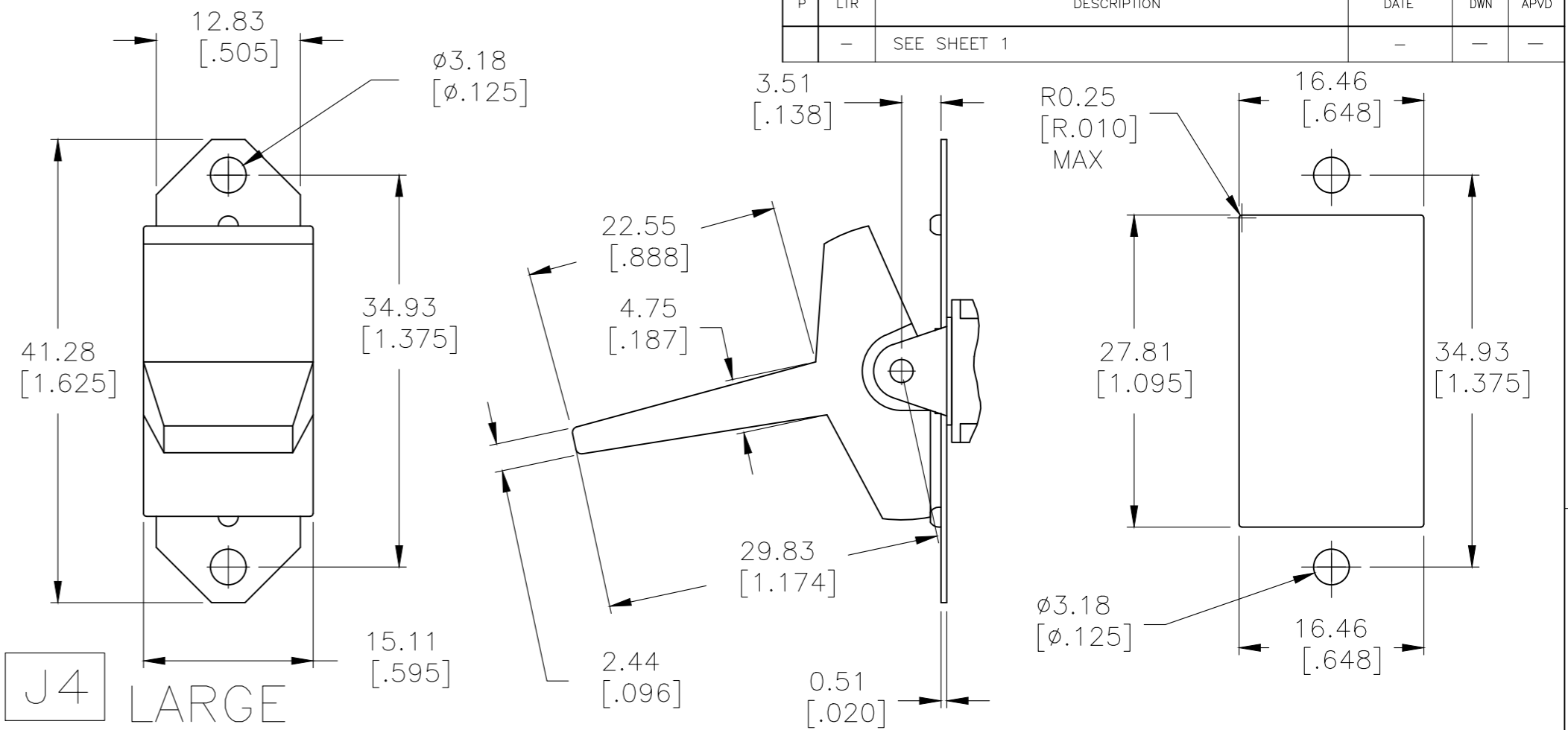
| REVISIONS |     |             |      |      |
|-----------|-----|-------------|------|------|
| P         | LTR | DESCRIPTION | DATE | APVD |
| -         | -   | SEE SHEET 1 | -    | -    |



J2 SMALL

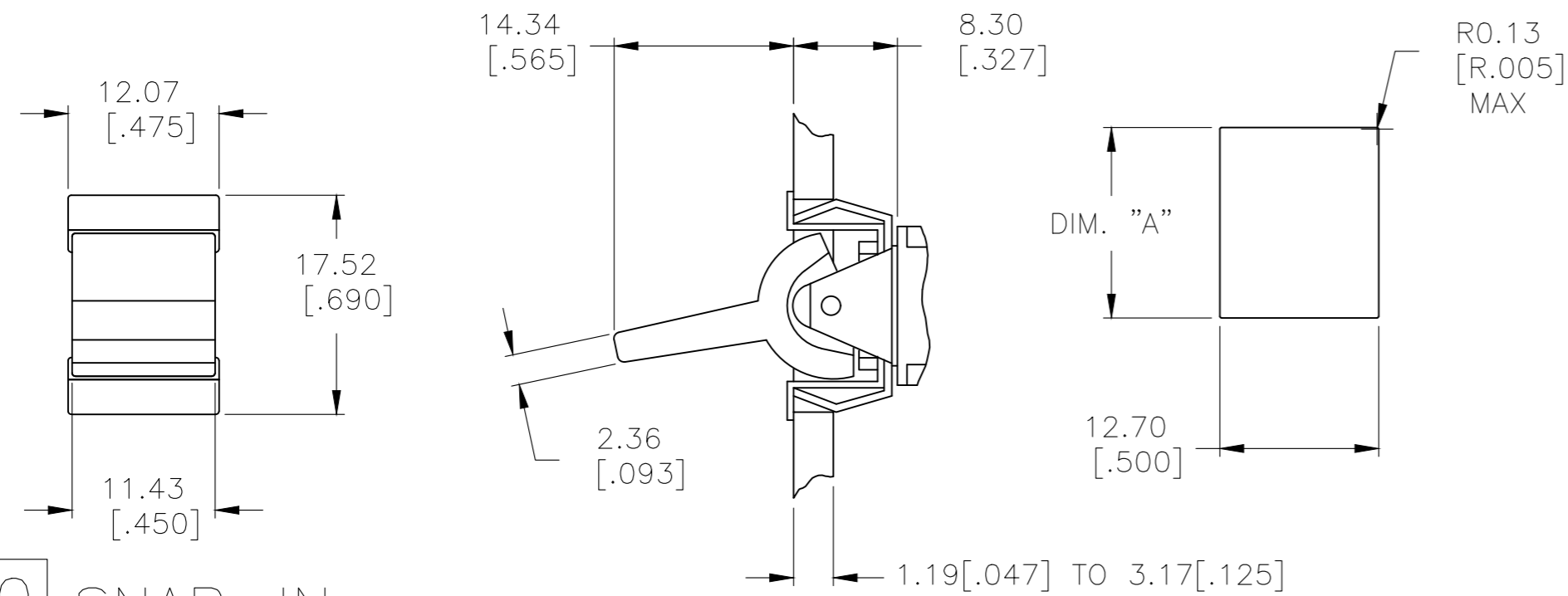


J4 LARGE



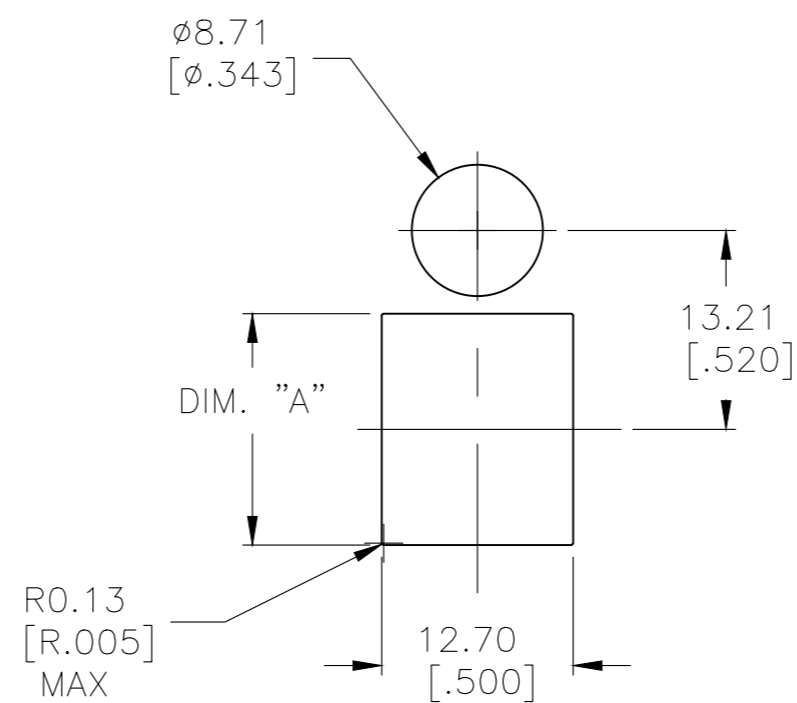
J60 SNAP-IN

J61 SNAP-IN WITH BEZEL



J62 SNAP-IN WITH BEZEL/L.E.D.

NOTE: L.E.D. NOT SUPPLIED

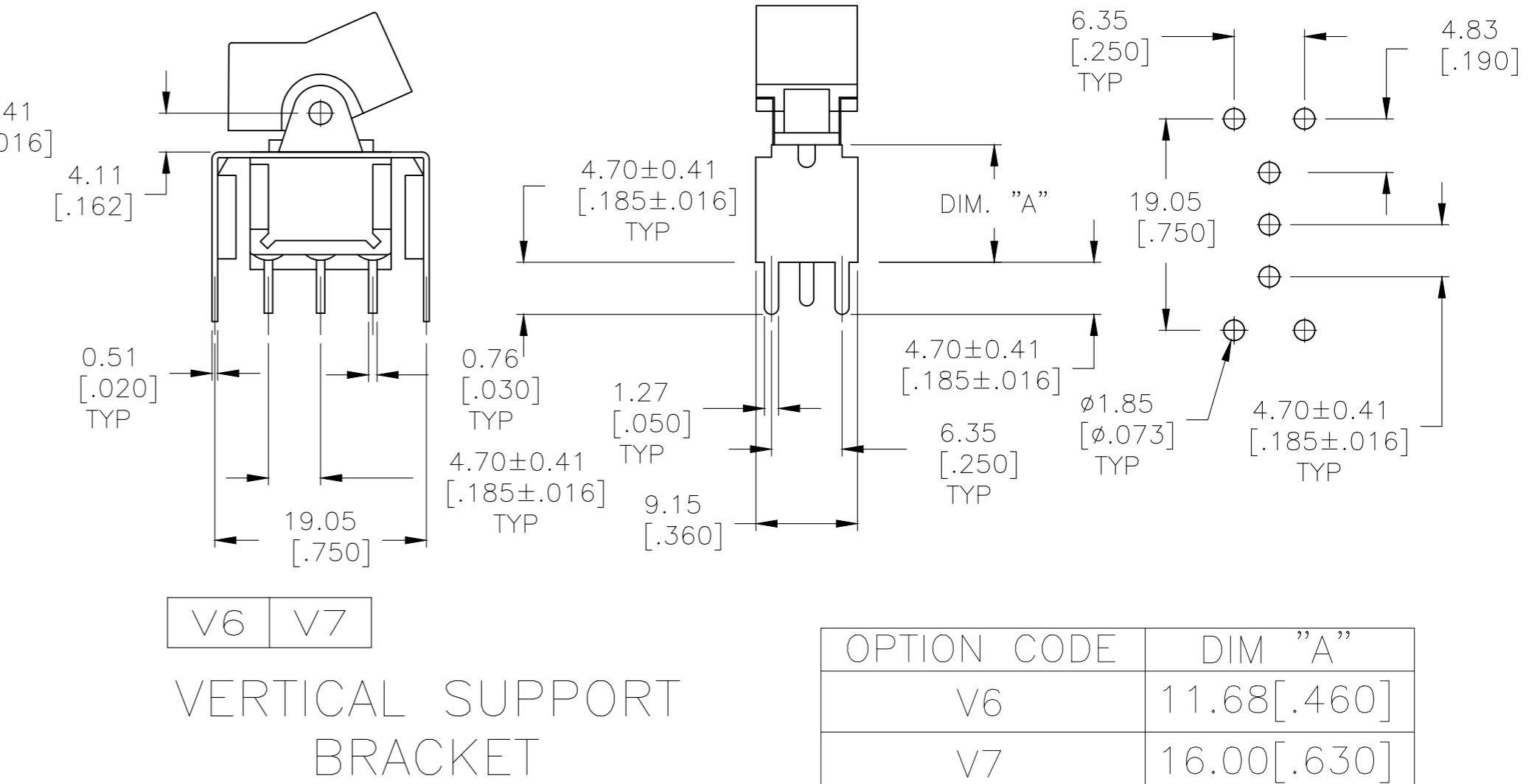
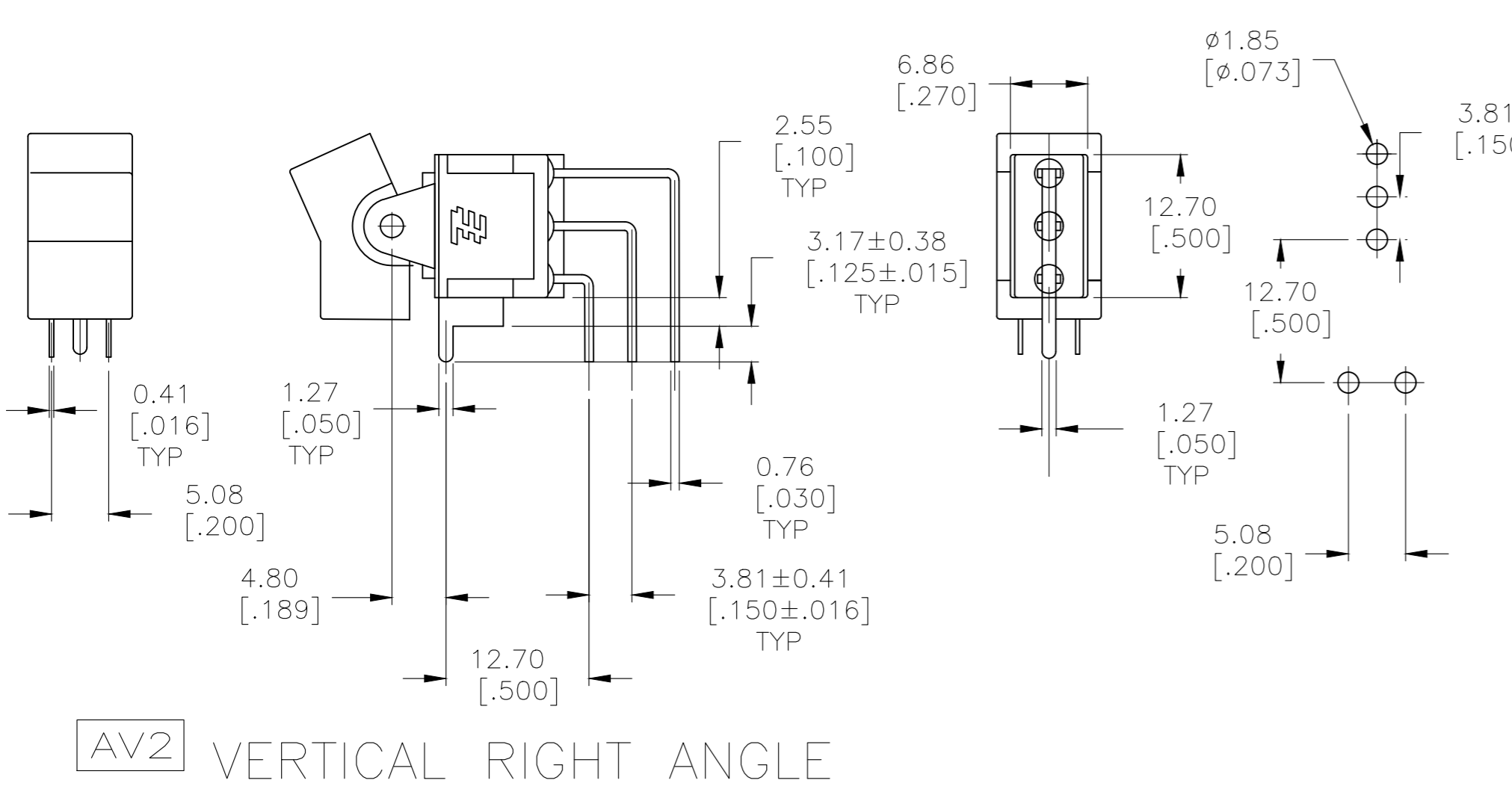
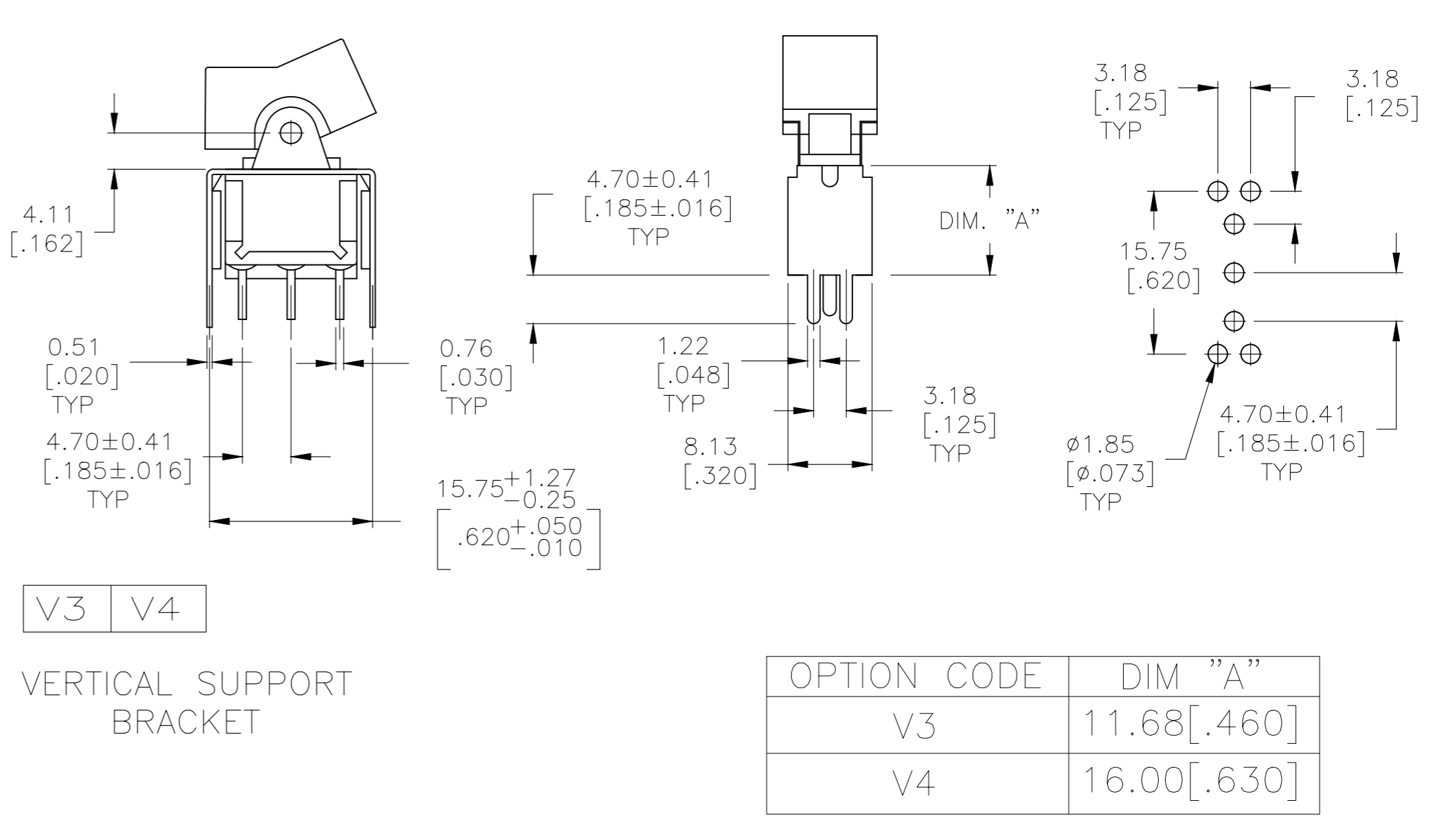
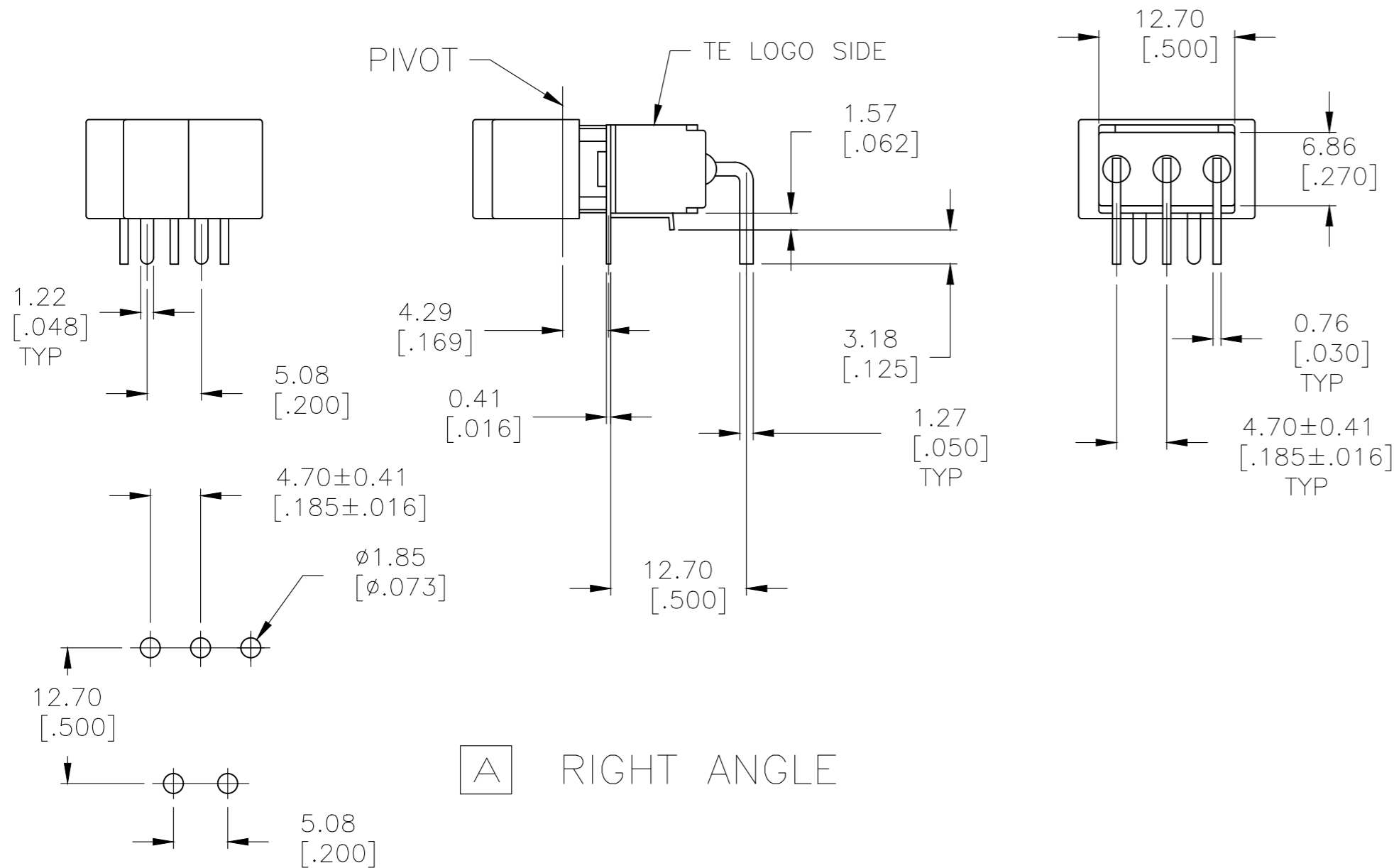


|                           |                             |
|---------------------------|-----------------------------|
| 1.52 [.060] - 3.17 [.125] | 15.75 [.620] - 15.87 [.625] |
| 1.19 [.047] - 1.50 [.059] | 15.72 [.619]                |
| PANEL THICKNESS           | DIM "A"                     |

|  |                    |                      |  |                      |
|--|--------------------|----------------------|--|----------------------|
| THIS DRAWING IS A CONTROLLED DOCUMENT. |                    | DWN M.BINNER 06JAN05 | TE Connectivity                                |                      |
| DIMENSIONS: mm [INCHES]                |                    | CHK M.ZITTO 06JAN05  |  |                      |
| TOLERANCES UNLESS OTHERWISE SPECIFIED: |                    | APVD M.ZITTO 06JAN05 | NAME GEMINI A SERIES ROCKER SWITCH SINGLE POLE |                      |
| 0 PLC ± -                              | 1 PLC ± -          | PRODUCT SPEC         | SIZE A2  |                      |
| 2 PLC ± -                              | 3 PLC ± 0.25[0.01] | APPLICATION SPEC     | CAGE CODE 00779                                | DRAWING NO C-1571986 |
| 4 PLC ± -                              | ANGLES ± 4°        | WEIGHT -             | RESTRICTED TO -                                | SCALE 2:1            |
| MATERIAL -                             | FINISH -           | CUSTOMER DRAWING     | SHEET 3 of 5                                   | REV A12              |

THIS DRAWING IS UNPUBLISHED. RELEASED FOR PUBLICATION  
 © COPYRIGHT - By - ALL RIGHTS RESERVED.

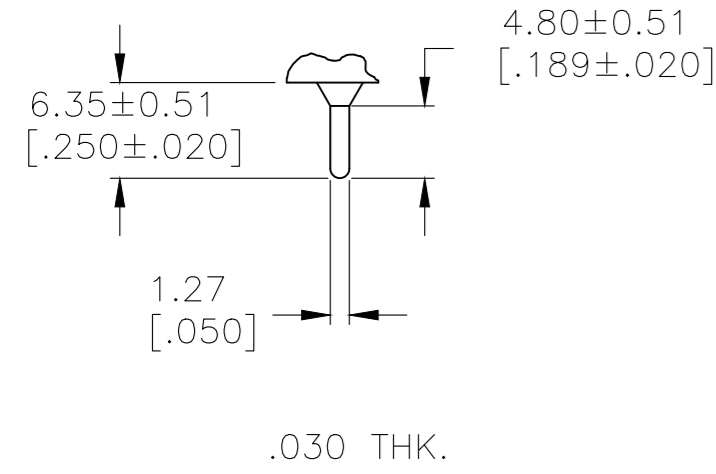
| REVISIONS |     |             |      |     |      |
|-----------|-----|-------------|------|-----|------|
| P         | LTR | DESCRIPTION | DATE | DWN | APVD |
| -         | -   | SEE SHEET 1 | -    | -   | -    |



|   |  |                            |  |                    |
|---|--|----------------------------|--|--------------------|
| THIS DRAWING IS A CONTROLLED DOCUMENT.  |  | DWN<br>M.BINNER<br>06JAN05 | TE Connectivity                                      |                    |
| DIMENSIONS:<br>mm [INCHES]  |  | CHK<br>M.ZITTO<br>06JAN05  |  |                    |
| TOLERANCES UNLESS OTHERWISE SPECIFIED:  |  | APVD<br>M.ZITTO<br>06JAN05 | NAME<br>GEMINI A SERIES ROCKER SWITCH<br>SINGLE POLE |                    |
| 0 PLC ± -<br>1 PLC ± -<br>2 PLC ± -<br>3 PLC ± 0.25[0.01]<br>4 PLC ± -<br>ANGLES ± 4° |  | PRODUCT SPEC               | SIZE<br>A2   | CAGE CODE<br>00779 |
| MATERIAL  |  | WEIGHT                     | DRAWING NO<br>C=1571986                              | RESTRICTED TO      |
| FINISH  |  | CUSTOMER DRAWING           | SCALE<br>2:1   | SHEET<br>4 of 5    |
|   |  |                            | REV<br>A12   |                    |

THIS DRAWING IS UNPUBLISHED. RELEASED FOR PUBLICATION  
 © COPYRIGHT - By - ALL RIGHTS RESERVED.

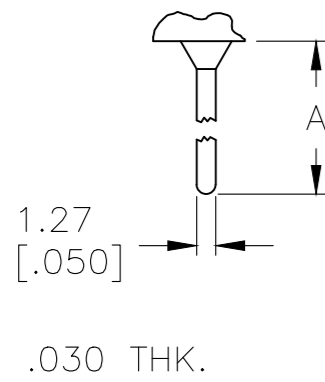
| REVISIONS |     |             |      |          |
|-----------|-----|-------------|------|----------|
| P         | LTR | DESCRIPTION | DATE | DWN APVD |
| -         | -   | SEE SHEET 1 | -    | -        |



**C** PRINTED CIRCUIT

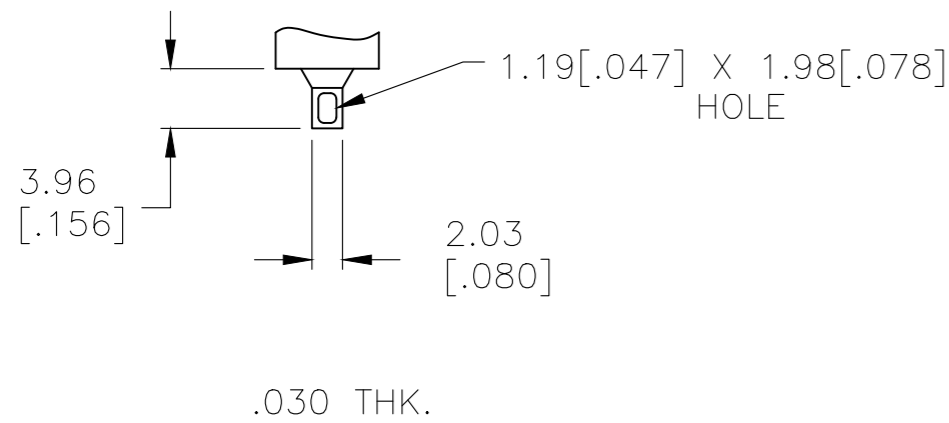
| MATERIALS CHART          |   |                        |
|--------------------------|---|------------------------|
| COMPONENT NAME           | BASE MATERIAL                                   | FINISH                 |
| CASE                     | DAP, 30-40% GF, RED, UL94 V-0, COSMIC D72/6120F |                        |
| FRAME                    | 304 STAINLESS STEEL                             |                        |
| B TERMINALS & CONTACTS   | C194 COPPER                                     | GOLD OVER NICKEL       |
| G TERMINALS & CONTACTS   | C194 COPPER                                     | GOLD OVER SILVER       |
| Q TERMINALS & CONTACTS   | C194 COPPER                                     | SILVER                 |
| ACTUATOR                 | PHENOLIC, BLACK, UL94 V-1                       |                        |
| ROCKER CAP               | NYLON, BLACK, UL94 V-1, NYTEX MG-2012N          |                        |
| BUSHING & ACTUATOR LEVER | ZINC ALLOY K2                                   | .000100-.000150 NICKEL |
| SPRING                   | MUSIC WIRE                                      |                        |
| SUPPORT BRACKET          | C2680H BRASS                                    | TIN                    |
| PIVOT PIN                | STEEL   | NICKEL                 |
| TERMINAL SEAL            | EPOXY, UL94 V-1, BOOM HOUSE S-9001A             |                        |

|   |                 |             |
|---|-----------------|-------------|
| △ | A105J1AV2Q004   | 5-1571986-0 |
| △ | A105J1AQ004     | 4-1571986-9 |
| △ | NOT ASSIGNED    | 4-1571986-8 |
| △ | A103J1AV2Q004MB | 4-1571986-7 |
| △ | A103J61ZQ0004   | 4-1571986-6 |
| △ | A103J51ZQ0004   | 4-1571986-5 |
| △ | A103J3ZQ004     | 4-1571986-4 |
| △ | A103J2ZQ004     | 4-1571986-3 |
| △ | A103J2CB004     | 4-1571986-2 |
| △ | A103J1ZQ004     | 4-1571986-1 |
| △ | A103J1V3Q004    | 4-1571986-0 |
| △ | A103J1AV2Q004   | 3-1571986-9 |
| △ | A103J1AV2B004   | 3-1571986-8 |
| △ | NOT ASSIGNED    | 3-1571986-7 |
| △ | A101J61ZQ0004   | 3-1571986-6 |
| △ | A101J51ZQ2004   | 3-1571986-5 |
| △ | A101J51ZQ0004   | 3-1571986-4 |
| △ | A101J51ZB0004   | 3-1571986-3 |
| △ | NOT ASSIGNED    | 3-1571986-2 |
| △ | A101J51Z3Q0004  | 3-1571986-1 |
| △ | A101J51Z3G0004  | 3-1571986-0 |
| △ | A101J51CB0004   | 2-1571986-9 |
| △ | A101J50ZQ004    | 2-1571986-8 |
| △ | A101J50V3Q204   | 2-1571986-7 |
| △ | A101J50V3Q004   | 2-1571986-6 |
| △ | A101J50AV2Q004  | 2-1571986-5 |
| △ | A101J4ZQ804     | 2-1571986-4 |
| △ | A101J4ZQ004     | 2-1571986-3 |
| △ | A101J3ZQ004     | 2-1571986-2 |
| △ | A101J3V3Q204    | 2-1571986-1 |
| △ | A101J2ZQ004     | 2-1571986-0 |
| △ | A101J2ZB904     | 1-1571986-9 |
| △ | A101J2AV2Q004   | 1-1571986-8 |
| △ | A101J1ZQ004     | 1-1571986-7 |
| △ | A101J1ZB004     | 1-1571986-6 |
| △ | A101J1V3Q004    | 1-1571986-5 |
| △ | A101J1V3B004    | 1-1571986-4 |
| △ | A101J1CQ004     | 1-1571986-3 |
| △ | A101J1CG004     | 1-1571986-2 |
| △ | A101J1AV2Q004   | 1-1571986-1 |
| △ | A101J1AV2B004   | 1-1571986-0 |
| △ | A101J1AQ204     | 1571986-9   |
| △ | A101J1AQ004     | 1571986-8   |
| △ | A101J1AB004     | 1571986-7   |
| △ | NOT ASSIGNED    | 1571986-6   |
| △ | NOT ASSIGNED    | 1571986-5   |
| △ | NOT ASSIGNED    | 1571986-4   |
| △ | NOT ASSIGNED    | 1571986-3   |
| △ | NOT ASSIGNED    | 1571986-2   |
| △ | A101J1AB004     | 1571986-1   |

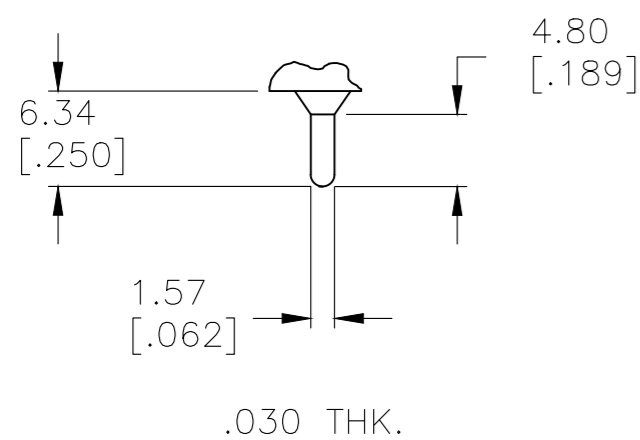


| OPTION | DIM A        |
|--------|--------------|
| W      | 18.69[.736]  |
| W4     | 26.97[1.062] |

**W** **W4** WIRE WRAP



**Z** WIRE LUG



**Z3** QUICK CONNECT

|          |                  |             |
|----------|------------------|-------------|
| △        | A101J1AV2Q004AM9 | 7-1571986-4 |
| △        | A101J1AV2Q004AM8 | 7-1571986-3 |
| △        | A101J1AV2Q004AM  | 7-1571986-2 |
| △        | A108J61ZQ0004    | 7-1571986-0 |
| △        | A108J51ZQ0004    | 6-1571986-9 |
| △        | A108J1ZQ004      | 6-1571986-8 |
| △        | A108J1V3Q004     | 6-1571986-7 |
| △        | A107J61ZQ0004    | 6-1571986-6 |
| △        | A107J51ZQ0004    | 6-1571986-5 |
| △        | A105J61ZQ0004    | 6-1571986-4 |
| △        | A105J61ZG0004    | 6-1571986-3 |
| △        | A105J52ZQ2004    | 6-1571986-2 |
| △        | A105J51ZQ0004    | 6-1571986-1 |
| △        | A105J4ZQ004      | 6-1571986-0 |
| △        | A105J3ZQ004      | 5-1571986-9 |
| △        | A105J3CQ2004     | 5-1571986-8 |
| △        | A105J3CQ004      | 5-1571986-7 |
| △        | A105J2ZQ004      | 5-1571986-6 |
| △        | A105J2AV2Q004    | 5-1571986-5 |
| △        | A105J2AQ004      | 5-1571986-4 |
| △        | A105J1ZQ004      | 5-1571986-3 |
| △        | A105J1V3B004     | 5-1571986-2 |
| △        | A105J1CQ004      | 5-1571986-1 |
| ALCO P/N | P/N              |             |

|   |  |                            |  |                                |
|---|--|----------------------------|--|--------------------------------|
| THIS DRAWING IS A CONTROLLED DOCUMENT.  |  | DWN<br>M.BINNER<br>06JAN05 | TE Connectivity                                      |                                |
| DIMENSIONS:<br>mm [INCHES]  |  | CHK<br>M.ZITTO<br>06JAN05  |  |                                |
| TOLERANCES UNLESS OTHERWISE SPECIFIED:<br>0 PLC ± -<br>1 PLC ± -<br>2 PLC ± -<br>3 PLC ± 0.25[0.01]<br>4 PLC ± -<br>ANGLES ± 4° |  | APVD<br>M.ZITTO<br>06JAN05 | NAME<br>GEMINI A SERIES ROCKER SWITCH<br>SINGLE POLE |                                |
| MATERIAL  |  | FINISH                     | SIZE<br>A2   | CAGE CODE<br>00779             |
|   |  | WEIGHT                     | DRAWING NO<br>C-1571986                              | RESTRICTED TO                  |
|   |  | CUSTOMER DRAWING           |  | SCALE 2:1 SHEET 5 OF 5 REV A12 |