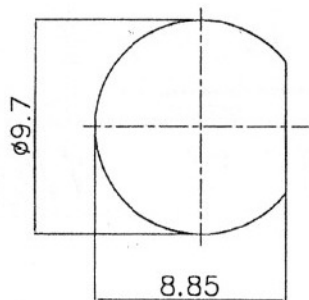
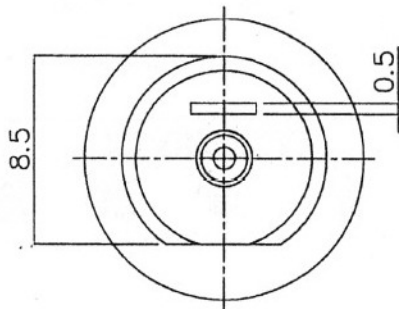


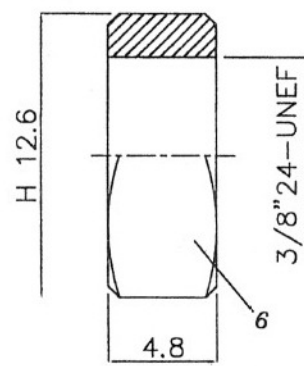
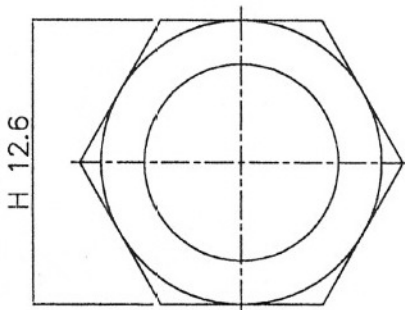
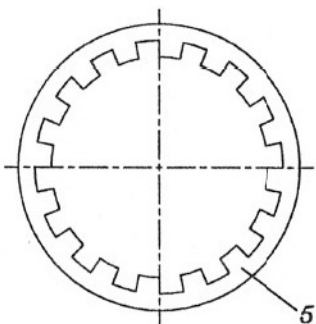
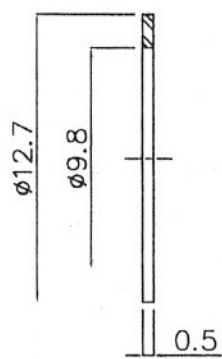
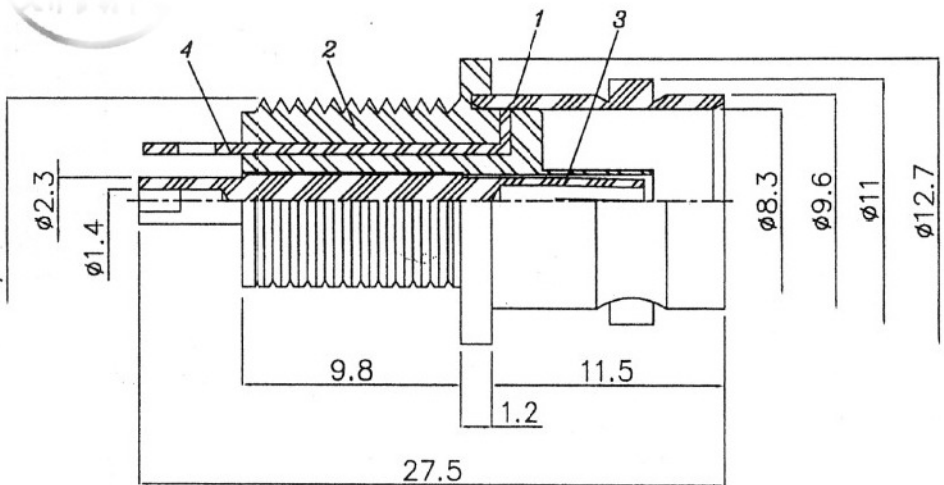
96.5.07



MOUNTING HOLE



($\pm 0.25 \pm 0.05$)
3/8" - 24 UNEF



DR.-ING. SIEGER ELECTRONIC GMBH **Item No. B 94 Ki G**

編號	NGD	圖號	2007年01月04日		版次
ITEM NO.		DRAWING NO.			EDITION
電鍍		日期			製圖
PLATING		DATE			DRAWER
描述		單位			比例
DESCRIPTION	UNIT	SCALE	DESIGN		
		未註明公差為	+ 0.05	認定	APPROVED
			- 0.00		

NO	DESCRIPTION	Q'TY	ITEM NO.	MATERIAL	PLATING
1	BODY	1		BRASS	NICKEL 100μ" MIN.
2	DIELECTRIC	1		ABS	-
3	CENTER PIN	1		PHOSPHOR BRONZE	GOLD 3-5μ" MIN.
4	PARTS	1		BRASS	TIN 100μ" MIN.
5	LOCK WASHER	1		MEDIUM CARBOR STEEL	NICKEL 100μ" MIN.
6	NUT	1		BRASS	NICKEL 100μ" MIN.

NGD: 1st N is Nickel for body. 2nd G is Gold for pin.
3rd D is Delrin for insulation.

Handwritten signature and date: 2/04