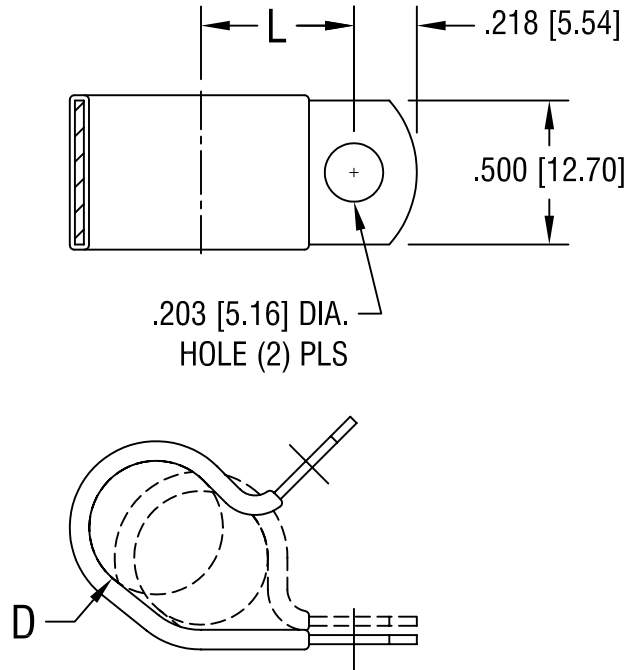


THIS DOCUMENT IS THE PROPERTY OF
KEYSTONE ELECTRONICS CORP. AND
SHALL NOT BE REPRODUCED, DISTRIBUTED
OR USED AS A BASIS FOR MANUFACTURE
WITHOUT PRIOR WRITTEN PERMISSION
FROM KEYSTONE ELECTRONICS CORP.



| | |
|--------------|--------------|
| 'L' DIM. | 'D' FOR DIA. |
| .531 [13.49] | .437 [11.10] |

| | | | |
|------------------------------------|---------------------------|--------|-------------|
| KEYSTONE ELECTRONICS CORP. | | | |
| ASTORIA, N.Y. 11105-2017 | | | |
| PART NAME | | | |
| INSULATED STEEL CABLE CLAMP | | | |
| MATERIAL | | | |
| .032 [.81] TH'K STEEL, BLACK VINYL | | | |
| FINISH | | DRN BY | DATE |
| ZINC PLATE CLEAR CHROMATE | | BOONE | 10.20.99 |
| | | APP'D | SCALE |
| | | LN | NONE |
| TOLERANCES | INCH [MM] | CODE | DWG NO. |
| DECIMAL | $\pm .010$ [± 0.25] | C/M | 8125 |
| ANGULAR | $\pm 1^\circ$ | | |
| UNLESS OTHERWISE SPECIFIED | | | |

| | | |
|----------|--------------------------|------|
| 10.18.06 | CHANGE AS PER ECN 06-070 | A |
| DATE | DESCRIPTION | REV. |