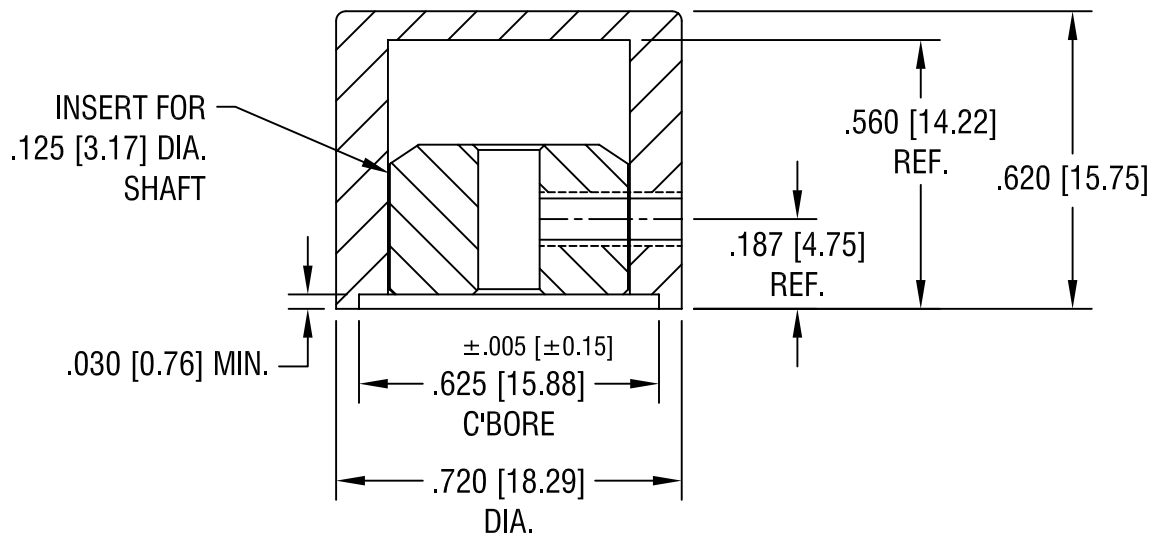
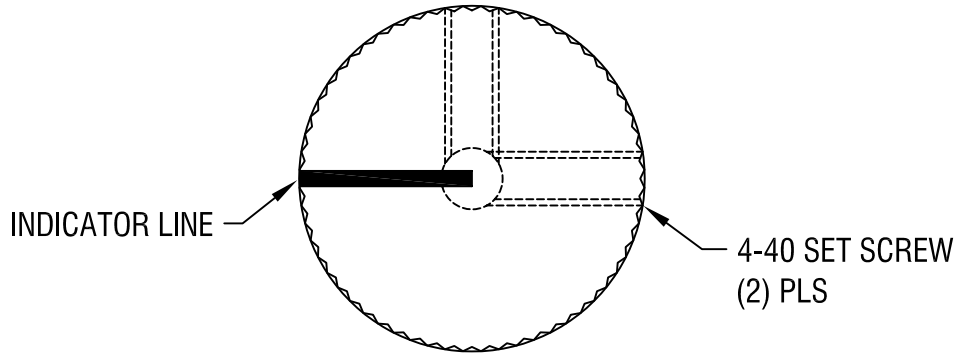


THIS DOCUMENT IS THE PROPERTY OF  
KEYSTONE ELECTRONICS CORP. AND  
SHALL NOT BE REPRODUCED, DISTRIBUTED  
OR USED AS A BASIS FOR MANUFACTURE  
WITHOUT PRIOR WRITTEN PERMISSION  
FROM KEYSTONE ELECTRONICS CORP.



NOTES:

1. KNOB: MAT'L: ABS, BLACK  
INSERT: MAT'L: BRASS,  
NICKEL PLATE
2. INDICATOR WHITE PAINT LINE  
ON TOP & SIDE OF KNOB

**KEYSTONE ELECTRONICS CORP.**

ASTORIA, N.Y. 11105-2017

PART NAME		KNOB	
MATERIAL		AS NOTED	
FINISH	AS NOTED	DRN BY	BOONE
		APP'D	
TOLERANCES	INCH [MM]	DATE	1.4.07
DECIMAL	$\pm .015$ [ $\pm 0.38$ ]	SCALE	2.5X
ANGULAR	$\pm 1^\circ$	DWG NO.	8530
UNLESS OTHERWISE SPECIFIED		CODE	C/M

DATE	DESCRIPTION	REV.
------	-------------	------