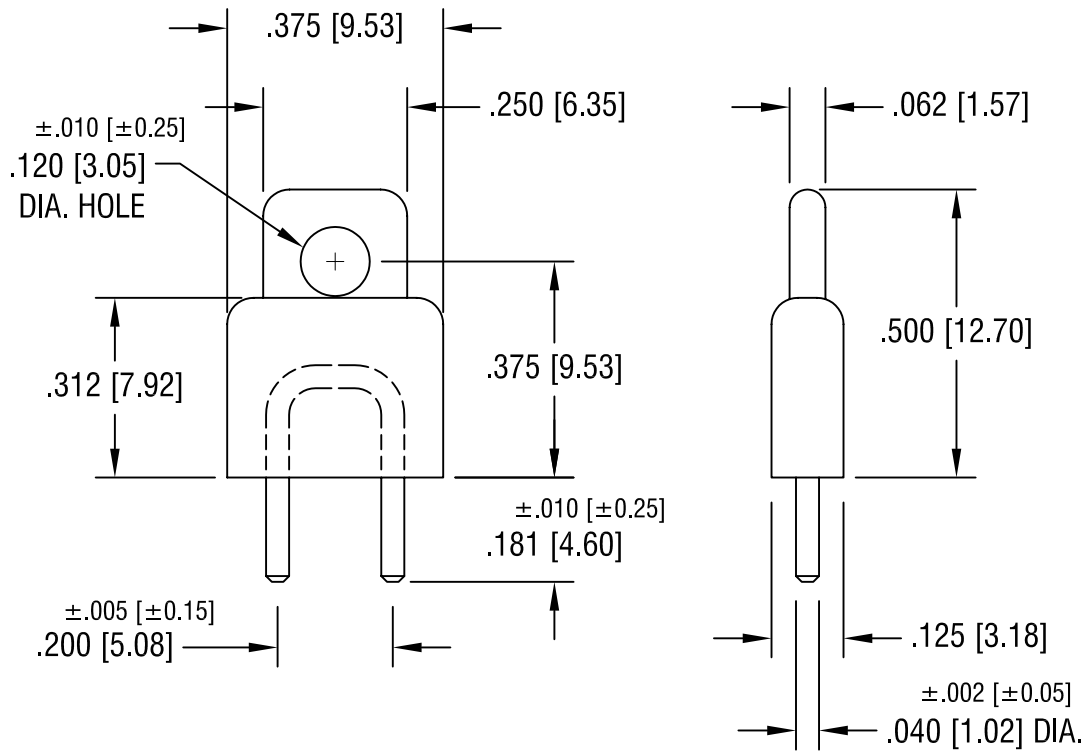


THIS DOCUMENT IS THE PROPERTY OF  
KEYSTONE ELECTRONICS CORP. AND  
SHALL NOT BE REPRODUCED, DISTRIBUTED  
OR USED AS A BASIS FOR MANUFACTURE  
WITHOUT PRIOR WRITTEN PERMISSION  
FROM KEYSTONE ELECTRONICS CORP.



NOTES:

- 1. BODY:  
MAT'L - POLYPROPYLENE
- PIN:  
MAT'L - BRASS  
FINISH - GOLD PLATE

PART NO.	COLOR
1460R	RED
1460B	BLACK
1460L	BLUE

KEYSTONE ELECTRONICS CORP.			
ASTORIA, N.Y. 11105-2017			
PART NAME INSULATED SHORTING PIN			
MATERIAL AS NOTED			
FINISH AS NOTED		DRN BY BOONE	DATE 3.1.07
		APP'D	SCALE 3X
TOLERANCES	INCH [MM]	CODE	DWG NO.
DECIMAL	± .015 [± 0.38]	C/M	1460-
ANGULAR	± 1°		
UNLESS OTHERWISE SPECIFIED			

DATE	DESCRIPTION	REV.