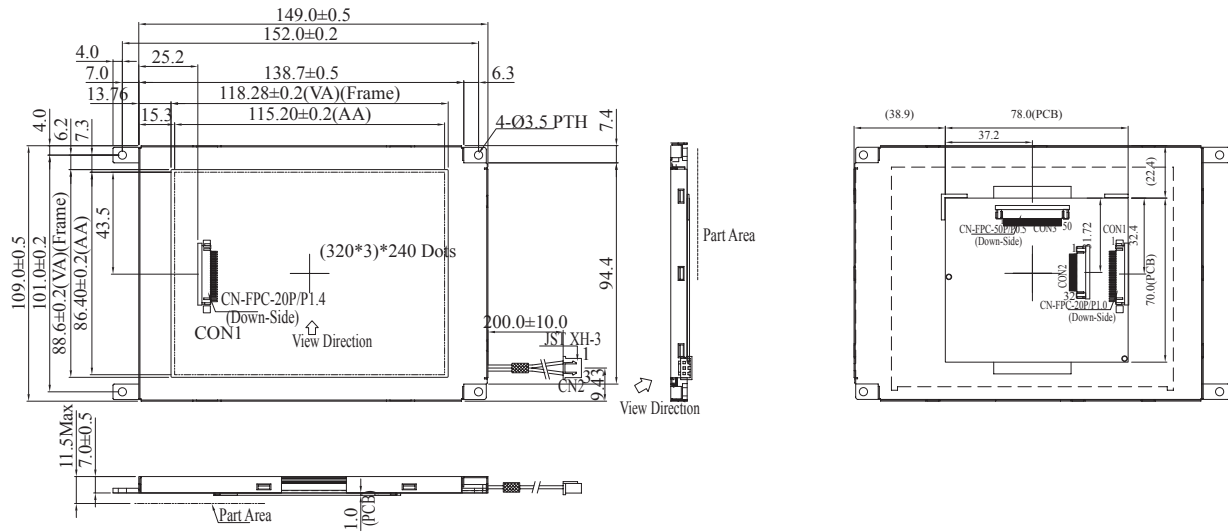




WF57B/M Graphic 320x240 dots

Dimension drawing



Feature

1. 320*240 dots
2. 5.7 inches
3. Digital interface
4. Option for control board built-in
5. Option for 8 bits & 16 bits

TFT
type