

DATE	DESCRIPTION	REV.
6.7.05	CHANGE AS PER ECN 05-031	A

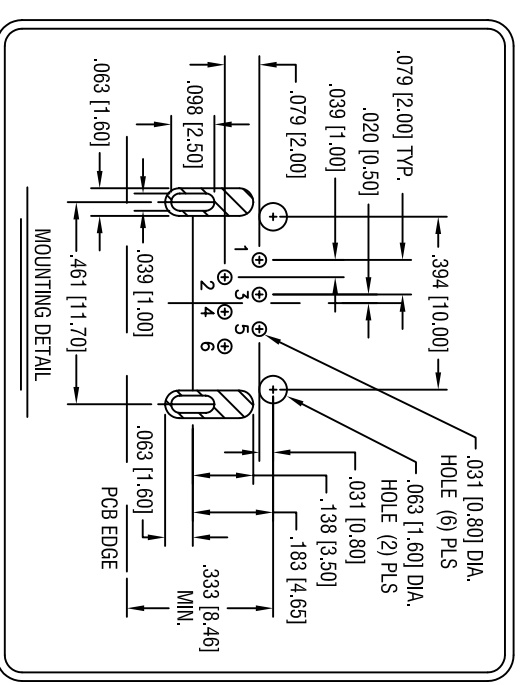
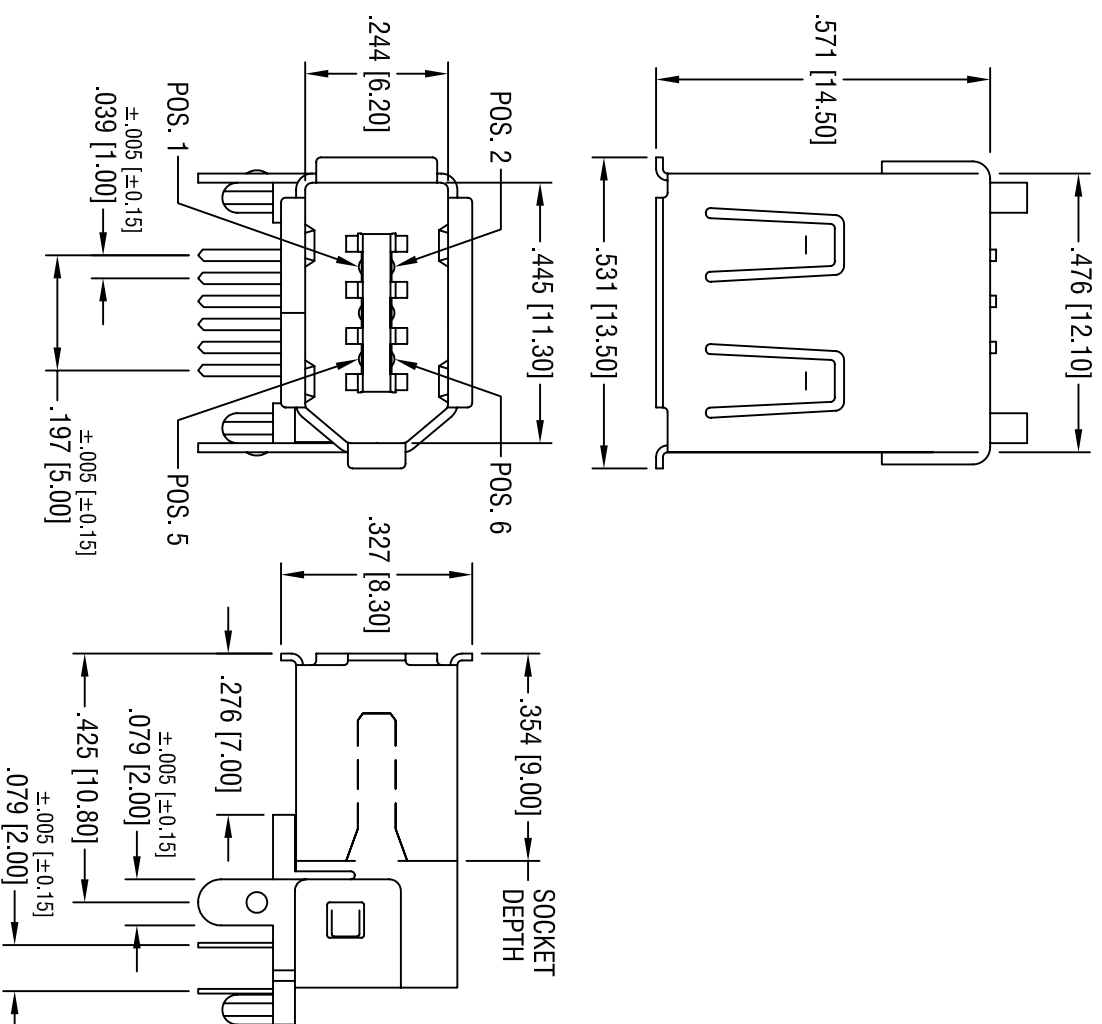
Notes:

Shell: Mat'l: Phosphor Bronze,
Finish: Tin Plate over
Nickel Plate.

Insulator: Mat'l: Thermoplastic
UL 94V-0

Contacts: Mat'l: Phosphor Bronze
Finish: Gold Plate over
Nickel Plate on
Contact Area.
Tin Plate over
Nickel Plate
on Solder Tail.

Electrical Specifications
Rated Voltage:
30V AC (rms)
Contact Current Rating:
1A Max.
Contact Resistance:
30 milliohms Max.
Insulation Resistance:
1000 Megohms Min.
Dielectric Withstanding:
750V AC
Operating Temperature:
32° [0°C] to 104° [40°C]



KEYSTONE ELECTRONICS CORP.

ASTORIA, N.Y. 11105-2017

PART NAME	IEEE 1394 FIREWIRE THRU-HOLE HORIZONTAL SOCKET	
MATERIAL	AS NOTED	

FINISH	AS NOTED	DRN BY	BOONE	DATE	7.1.99		
TOLERANCES	INCH [MM]	CODE	DWG NO.	App'D	LN	SCALE	3X
DECIMAL	± .010 [± 0.25]	C/M	929				
ANGULAR	± 1°						

THIS DOCUMENT IS THE PROPERTY OF KEYSTONE ELECTRONICS CORP. AND SHALL NOT BE REPRODUCED, DISTRIBUTED OR USED AS A BASIS FOR MANUFACTURE WITHOUT PRIOR WRITTEN PERMISSION FROM KEYSTONE ELECTRONICS CORP.