

Data sheet

721-610/019-000

**MALE CONNECTOR WITH FIXING FLANGE
PIN SPACING 5 MM / 0.197 IN 100% PROTECTED AGAINST MISMATING WITHOUT
PRECEDING EARTH CONTACT**



Technical data

Package size 25 pieces.

Pin spacing from	5 mm
Pin spacing from	0.197 in
pole count	10
Cross section from [mm ²]	0.08 mm ²
Cross section to [mm ²]	2.5 mm ²
Cross section from [AWG]	28 AWG
Cross section to [AWG]	12 AWG
Voltage UL	300 V
Voltage CSA	300 V
Current UL	15 A
Current CSA	15 A
Measured voltage EN	250 V
Measured shock voltage	4 kV
Pollution degree	3
Current intensity EN	12 A
Weight	16.41 g
Color	light grey
No. of connection Points	10
No. of potentials	10
Height	14.3 mm
Height	0.563 in
Width	64.8 mm
Width	2.551 in

Data sheet**721-610/019-000****MALE CONNECTOR WITH FIXING FLANGE
PIN SPACING 5 MM / 0.197 IN 100% PROTECTED AGAINST MISMATING WITHOUT
PRECEDING EARTH CONTACT**

Depth	27.5 mm
Depth	1.083 in
Strip length from	8 mm
Strip length to	9 mm
Strip length	0.33 in
xxx-xxx/035-000	Strain relief plate 50 mm

Data sheet

721-610/019-000

**MALE CONNECTOR WITH FIXING FLANGE
PIN SPACING 5 MM / 0.197 IN 100% PROTECTED AGAINST MISMATING WITHOUT
PRECEDING EARTH CONTACT**

Approval	Voltage	Current	Approval number	Notes
BBJ	250	12	B/12/699/03	
BV	250	12	11915/A0	
CCA	250	12	DK2127	
CSA	300	15	154112-1465035	
CSM	250	12	017956	
DNV	250	12	E-6997	
GL	250	12	17296-00HH	
KEMA	250	12	98.2486.01	
KR	250/400	12/16	HMB05880-EL003	
LR	250	12	96/20035	
NEMKO	250		P94101840	
RMR	250	12	99.00007.250	
RosTesT	250	12	B09523	
UL	600	15	E45171	
UL	300	15	E45172	
VDE	250	12	5675ÜGBI.2	

Data sheet

721-610/019-000

**MALE CONNECTOR WITH FIXING FLANGE
PIN SPACING 5 MM / 0.197 IN 100% PROTECTED AGAINST MISMATING WITHOUT
PRECEDING EARTH CONTACT**

Accessories

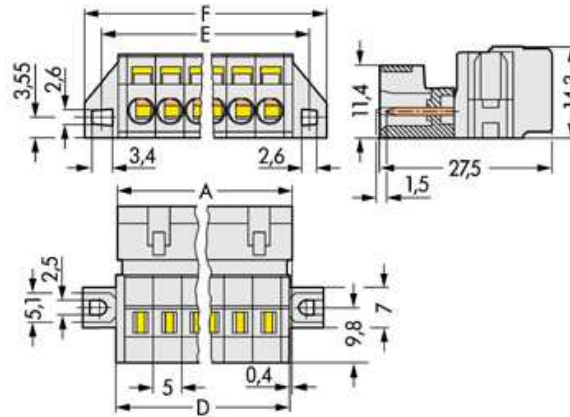
Item number

CODING KEY FOR SNAP IN	231-129
COMB TYPE JUMPER BAR FOR PIN SPACING 5MM / 0.197 IN AND 5.08 MM / 0.2 IN	231-902
ISULATION STOP 0.08 - 0.2 MM ² / 0.2 MM ² S	231-670
ISULATION STOP 0.25 - 0.5 MM ²	231-671
ISULATION STOP 0.75 - 1 MM ²	231-672
LOCKOUT CAPS FOE COVERING UNUSED CLAMPING UNITS	231-668
OPERATING STICKER FOR MULTI CONNECTION SYSTEM	210-199
OPERATING TOOL FOR FEMALE AND MALE CONNECTORS WITH CAGE CLAMP	210-250
OPERATING TOOL TO CONNECT JUMPERS	209-132
PUSH BUTTON FOR FEMALE CONNECTORS AND MALE CONNECTORS	231-131
SCREWDRIVER 3.5 X 0.5 MM / 0.137 X 0.019IN	210-257
SCREWDRIVER 3.5 X 0.5 MM / 0.137 X 0.019IN	210-258
SCREWDRIVER Type 2, bar (3,5 x 0,5) mm	210-120
SCREWDRIVER WITH PARTIALLY INSULATED SHAFT Type 2, bar (3,5 x 0,5) mm	210-620
SELF-TAPPING SCREW	209-147
SNAP-ON TYPE RELIEF HOUSING CONSISTING OF: STRAIN RELIEF SUPPORT/ HOUSING	232-610

Data sheet

721-610/019-000

MALE CONNECTOR WITH FIXING FLANGE
PIN SPACING 5 MM / 0.197 IN 100% PROTECTED AGAINST MISMATING WITHOUT
PRECEDING EARTH CONTACT



Data sheet

721-610/019-000

**MALE CONNECTOR WITH FIXING FLANGE
PIN SPACING 5 MM / 0.197 IN 100% PROTECTED AGAINST MISMATING WITHOUT
PRECEDING EARTH CONTACT**

A = (No.of poles x pin spacing) + 3,2 mm

D = A - 0,2 mm

E = D + 5,8 mm

F = D + 11,8 mm