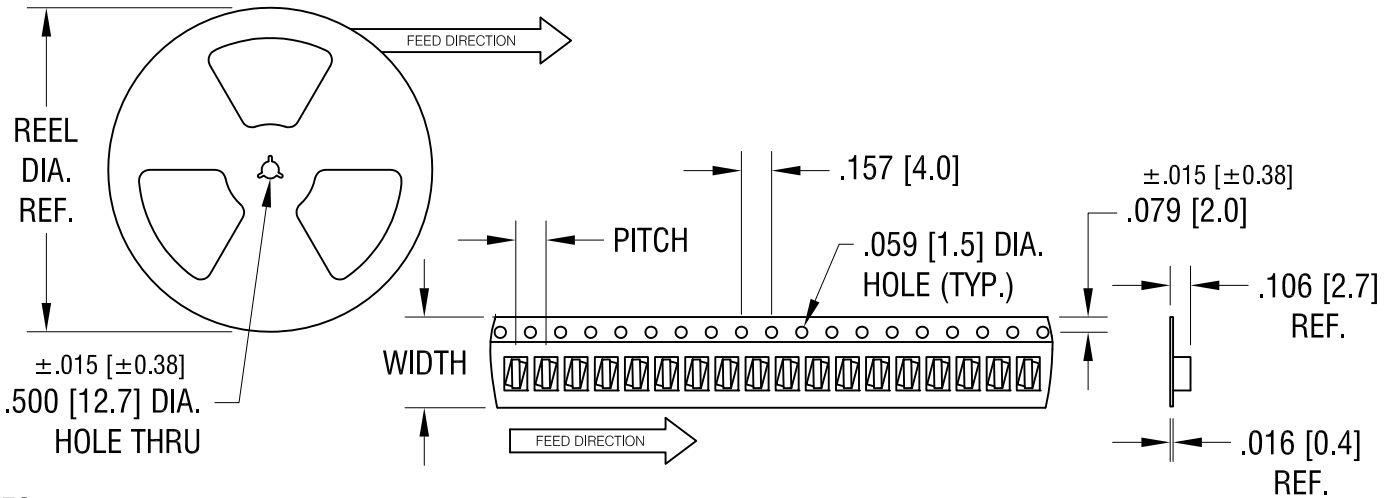
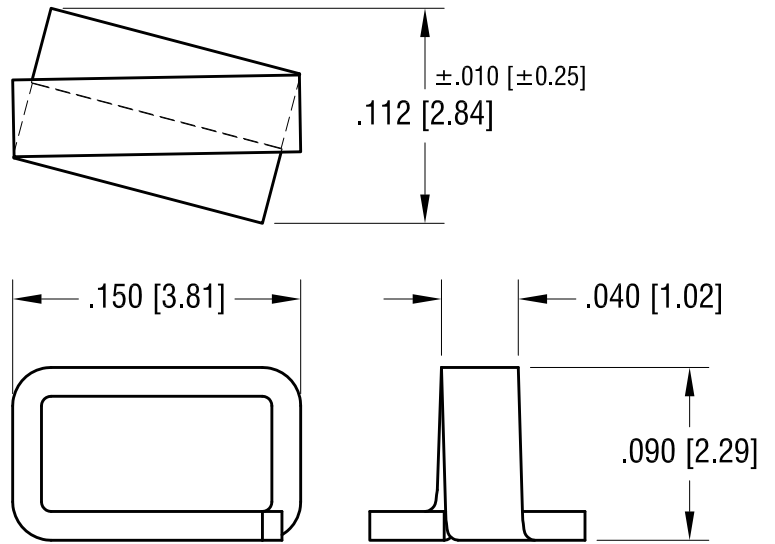
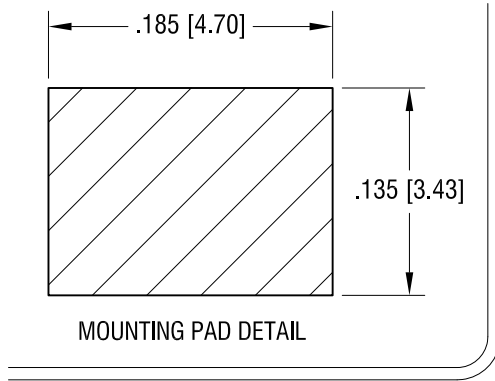


THIS DOCUMENT IS THE PROPERTY OF KEYSTONE ELECTRONICS CORP. AND SHALL NOT BE REPRODUCED, DISTRIBUTED OR USED AS A BASIS FOR MANUFACTURE WITHOUT PRIOR WRITTEN PERMISSION FROM KEYSTONE ELECTRONICS CORP.



NOTES:

1. SUPPLIED ON TAPE AND REEL ONLY.

TAPE AND REEL SPECIFICATIONS:

2. TAPE:

MAT'L - ALL CONDUCTIVE POLYSTYRENE CARRIER

ANSI/EIA-481 STANDARD

.472 [12.0] WIDE; .157 [4.0] PITCH

3. REEL:

13" [330.2] DIA. 5000 PIECES OF PART NO. 5018 PER REEL.

6.21.12	CHANGE AS PER ECN 12-078	C
2.5.08	CHANGE AS PER ECN 08-071	B
5.19.04	CHANGE AS PER ECN 04-037	A
DATE	DESCRIPTION	REV.

KEYSTONE ELECTRONICS CORP.			
www.keyelco.com • ASTORIA, N.Y. 11105-2017 • Tel (718) 956-8900			
PART NAME			
TEST POINT, COMPACT, SURFACE MOUNT			
MATERIAL			
.015 [0.38] TH'K PHOSPHOR BRONZE			
FINISH		DRN BY	DATE
SILVER PLATE		BOONE	5.1.01
		APP'D	SCALE
		LN	10X, 1X
TOLERANCES	INCH [MM]	CODE	DWG NO.
DECIMAL	± .005 [± 0.15]	C	
ANGULAR	± 1°		
UNLESS OTHERWISE SPECIFIED			
			5018