

LCD MODULE SPECIFICATION

MODEL NO.

BC1601A series

FOR MESSRS:

ON DATE OF:

APPROVED BY:

C O N T E N T S

1. Numbering System
2. Precautions in use of LCD Modules
3. General Specification
4. Absolute Maximum Rating
5. Electrical Characteristics
6. Optical Characteristics
7. Interface Pin Function
8. Power supply for LCD Module and LCD operating voltage adjustment
9. Backlight information
10. Quality Assurance
11. Reliability
12. Appendix (Drawing , EL inverter data , KS0066 controller data)
 - 12-1 Drawing
 - 12-2 EL inverter data (P/N:IVEL-01)
 - 12-3 KS0066 controller data
 - 12-3.1 Function description
 - 12-3.2 C.G ROM table. table 2
 - 12-3.3 Instruction table
 - 12-3.4 Timing characteristics
 - 12-3.5 Initializing soft ware of LCM

1. Numbering System

<u>B</u>	<u>C</u>	<u>2004</u>	<u>A</u>	<u>G</u>	<u>P</u>	<u>L</u>	<u>E</u>	<u>B</u>	<u>xxx</u>
0	1	2	3	4	5	6	7	8	9

0	Brand		Bolymin	
1	Module Type		C= character type G= graphic type P= TAB/TCP type	O= COG type F= COF type
2	Format		2002=20 characters, 4 lines 12232= 122 x 32 dots	
3	Version No.		A type	
4	LCD Color		G=STN/gray Y=STN/yellow-green C=color STN	B=STN/blue F=FSTN T=TN
5	LCD Type		R=positive/reflective P=positive/transflective	M=positive/transmissive N=negative/transmissive
6	Backlight type/color		L=LED array/ yellow-green H=LED edge/white R=LED array/red G=LED edge/yellow-green	D=LED edge/blue E=EL/white B=EL/blue C=CCFL/white
7	CGRAM Font		J=English/Japanese Font E=English/European Font	C=English/Cyrillic Font H=English/Hebrew Font
8	View Angle/ Operating Temperature		B=Bottom/Normal Temperature H=Bottom/Wide Temperature U=Bottom/Ultra wide Temperature	T=Top/Normal Temperature W=Top/Wide Temperature C=9H/Normal Temperature
9	Special Code		3=3 volt logic power supply n=negative voltage for LCD c=cable/connector xxx=to be assigned on data sheet	t=temperature compensation for LCD p=touch panel

2. Precaution in use of LCD Module

- (1) Avoid applying excessive shocks to the module or making any alterations or modifications to it.
- (2) Don't make extra holes on the printed circuit board, modify its shape or change the components of LCD module.
- (3) Don't disassemble the LCM.
- (4) Don't operate it above the absolute maximum rating.
- (5) Don't drop, bend or twist LCM.
- (6) Soldering: only to the I/O terminals.
- (7) Storage: please storage in anti-static electricity container and clean environment.
- (8) Don't touch the elastmer connector, especially insert a backlight panel (EL or CCFL)

3. General Specification

(1) Mechanical Dimension

Item	Dimension	Unit
Number of Characters	16characters x 1 Lines	-
Module dimension (L x W x H)	80.0 x 36.0 x 13.2(Max)- LED array B/L, LED edge B/L (white, blue) 80.0 x 36.0 x 9.4 (Max) – LED edge / blue B/L, EL or No B/L	mm
View area	66.0 x 16.0	mm
Active area	59.62 x 6.56	mm
Dot size	0.55 x 0.75	mm
Dot pitch	0.63 x 0.83	mm
Character size (L x W)	3.07 x 6.56	mm
Character pitch (L x W)	3.77 x 6.56	mm

(2) Controller IC: **KS0066 (or Equivalent) controller**

(3) Temperature Range

	Normal	Wide
Operating	0 ~+50	-20 ~+70
Storage	-10 ~+60	-30 ~+80

4. Absolute Maximum Ratings

4.1 Electrical Absolute Maximum Ratings

(V_{ss}=0V, T_a=25 °C)

Item	Symbol	Min	Max	Unit
Supply Voltage (Logic)	V _{dd} -V _{ss}	-0.3	7	V
Supply Voltage (LCD Driver)	V _{dd} -V _o	-0.3	13	V
Input Voltage	V _I	V _{ss}	V _{dd}	V
Normal Type	TOP	0	+50	
	TSTG	-10	+60	
Wide Temperature Type	Top	-20	+70	
	Tstg	-30	+80	

4.2 Environmental Absolute Maximum Ratings

Item	Operating		Storage		Comment
	(Min.)	(Max.)	(Min.)	(Max.)	
Humidity	Note (2)		Note (2)		Without condensation
Vibration	--	4.9M/S ²	--	19.6M/S ²	XYZ Direction
Shock	--	29.4M/S ²	--	490M/S ²	XYZ Direction

Note (1) T_a = 0 °C : 50Hr Max.

Note (2) T_a = 40 °C : 90% RH MAX

T_a > 40 °C : Absolute humidity must be lower than the humidity of 90% at 40 °C.

5. Electrical Characteristics

Item	Symbol	Condition	Min	Typ	Max	Unit
Supply Voltage For Logic	Vdd-Vss	-	3.0	-	5.5	V
Supply Voltage For LCD * Wide Temp、 Type	Vdd-Vo	* Ta=-20	-	5.5	-	V
		Ta=0	-	-	-	V
		Ta=25	-	4.2	-	V
		Ta=50	-	-	-	V
		* Ta=+70	-	3.8	-	V
Input High Volt.	V _{IH}	-	2.2	-	Vdd	V
Input Low Volt.	V _{IL}	-	-	-	0.6	V
Output High Volt.	V _{OH}	-	2.4	-	-	V
Output Low Volt.	V _{OL}	-	-	-	0.4	V
Supply Current	I _{dd}	Vdd=5V	-	1.2	-	mA

6. Optical Characteristics

a. STN

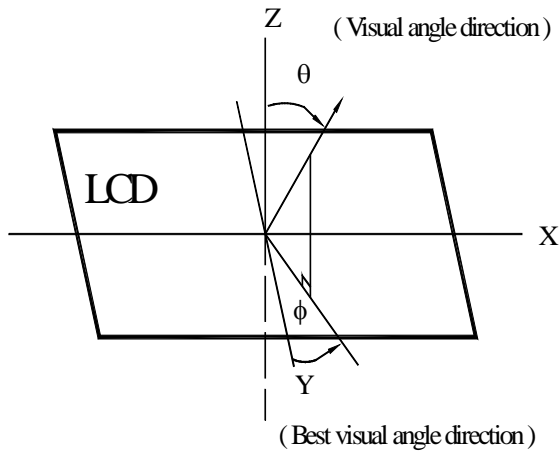
Item	Symbol	Condition	Min.	Typ.	Max.	Unit
View Angle	(V)	CR 2	10		45	deg
	(H)	CR 2	-30		30	deg
Contrast Ratio	CR	-		3		-
Response Time 25	T rise	-		100	150	ms
	T fall	-		150	200	ms

b. FSTN

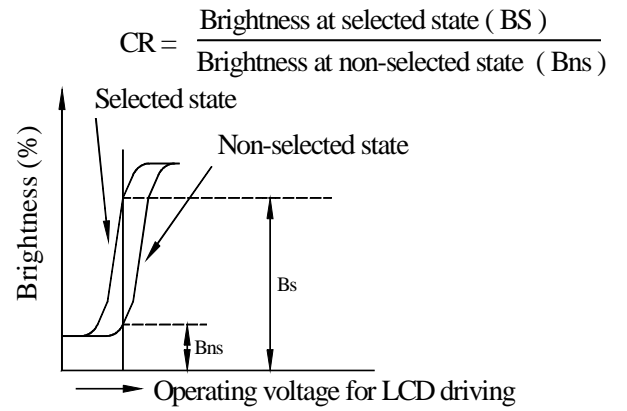
Item	Symbol	Condition	Min.	Typ.	Max.	Unit
View Angle	(V)	CR 3	10		60	deg
	(H)	CR 3	-45		45	deg
Contrast Ratio	CR	-		5		-
Response Time 25	T rise	-		100	150	ms
	T fall	-		150	200	ms

6.1 Definitions

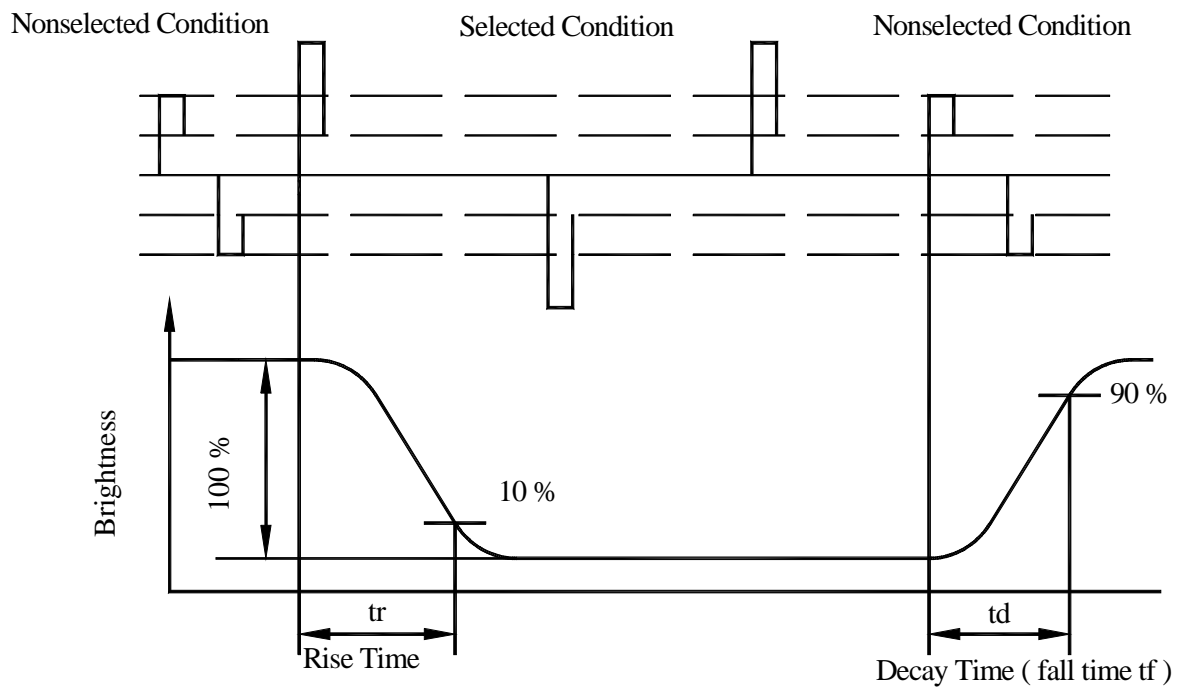
View Angles



Contrast Ratio



Response Time

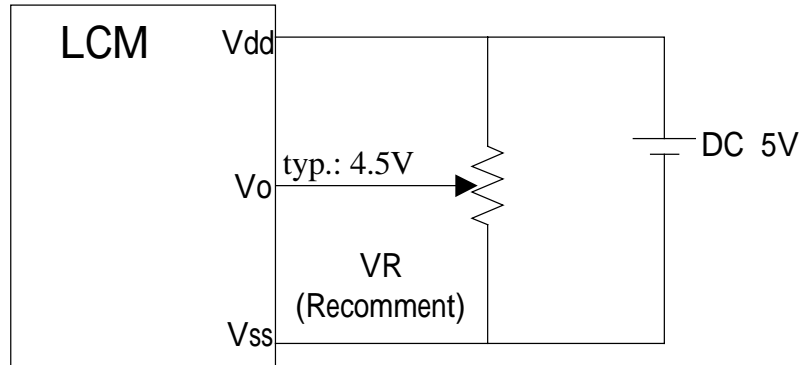


7. Interface Pin Function

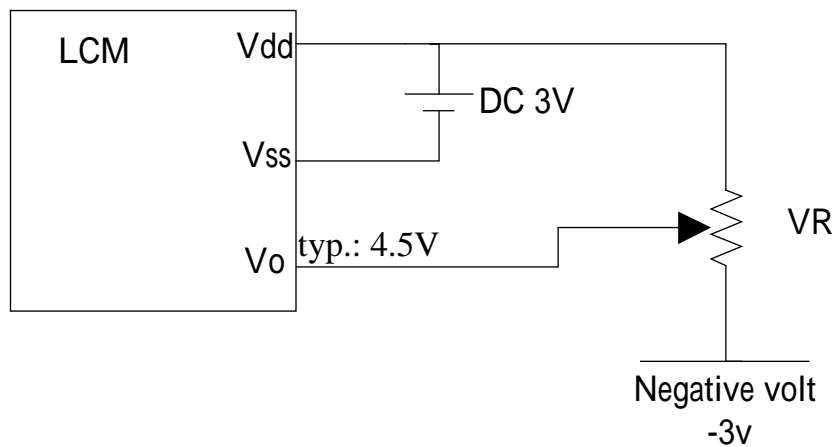
Pin No.	Symbol	Level	Description
1	Vss	0V	Ground
2	Vdd	5.0V	Supply Voltage for logic (option +3V)
3	Vo	(Variable)	Operating voltage for LCD
4	RS	H/L	H:DATA, L:Instruction code
5	R/W	H/L	H:Read(MPU Module)L:Write(MPU Module)
6	E	H,H L	Chip enable signal
7	DB0	H/L	Data bit 0
8	DB1	H/L	Data bit 1
9	DB2	H/L	Data bit 2
10	DB3	H/L	Data bit 3
11	DB4	H/L	Data bit 4
12	DB5	H/L	Data bit 5
13	DB6	H/L	Data bit 6
14	DB7	H/L	Data bit 7
15	A / Vee	-	Power supply for LED backlight (+) / Negative voltage output
16	K	-	Power supply for LED backlight (-)

8. Power Supply for LCD Module and LCD Operating Voltage a Adjustment

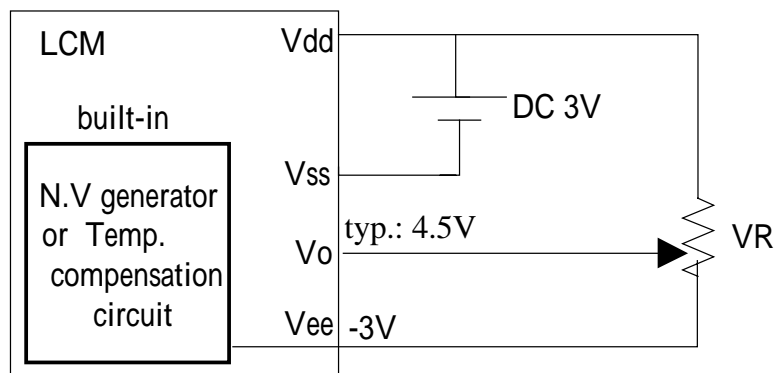
* Standart Type



* (Option) LCM operating on " DC 3V " input , with external negative



* (Option) LCM operating on " DC 3V " input , with built-in negative Voltage



9.Backlight Information

9.1 Specification

(1) LED array / yellow-green

Parameter	Symbol	Min	Typ	Max	Unit	Test Condition
Supply Current	I _{LED}		100		mA	V=4.2V
Supply Voltage	V	-	4.2	4.3	V	
Reverse Voltage	V _R	-	-	8	V	
Luminous Intensity	I _V	60	-	-	cd/m ²	I _{LED} =100mA
Wave Length	p		574		nm	I _{LED} =100mA
Life Time		-	100000	-	Hr.	V 4.2V
Color	Yellow Green					

(2) LED edge / (white / blue)

Parameter	Symbol	Min	Typ	Max	Unit	Test Condition
Supply Current	I _{LED}		20	25	mA	V=3.4V
Supply Voltage	V	-	3.4	3.5	V	
Reverse Voltage	V _R	-	-	8	V	
Luminous Intensity	I _V	50	-	-	cd/m ²	I _{LED} =20mA
Life Time		-	10000-white	-	Hr.	V 3.4 V
			50000-blue			
Color	White / Blue					

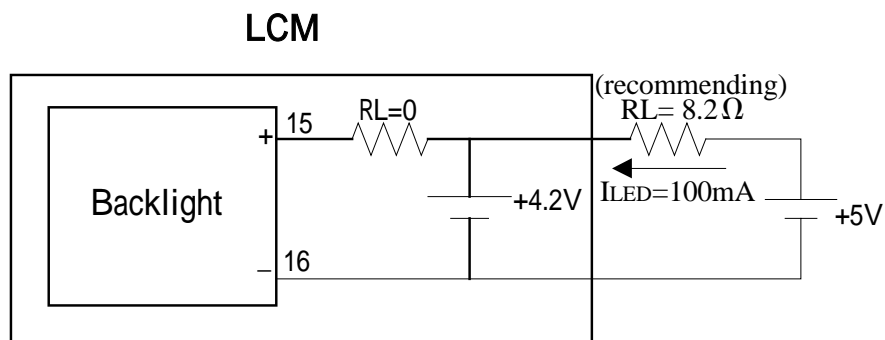
(3) EL / Blue

Parameter	Symbol	Min	Typ	Max	Unit	Test Condition
Voltage	Vrms	--	110 (AC)		--	
Frequency	HZ	--	400		--	
Brightness*	cd/m ²	48	60		--	110Vrms 400Hz
CIE Chromaticity Diagram	X	--	0.1852		--	
	Y	--	0.3937		--	
Current Dissipation	mA/cm ²	--	1.33		--	
Power Dissipation	mW/cm ²	--	26.29		--	
Color	Blue					

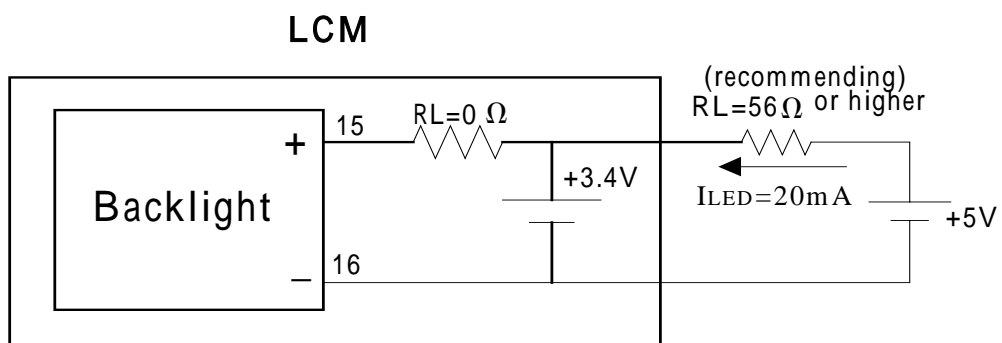
9.2 Backlight driving methods

a. LED B/L drive from pin15 (LED+) pin16 (LED-)

a.1 array / yellow-green

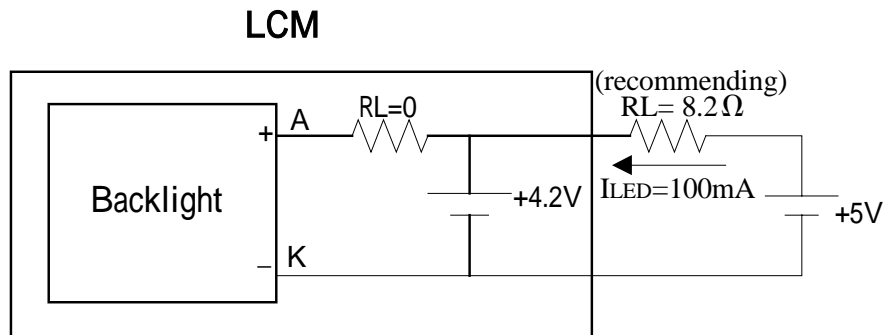


a.2 edge / (white / blue)

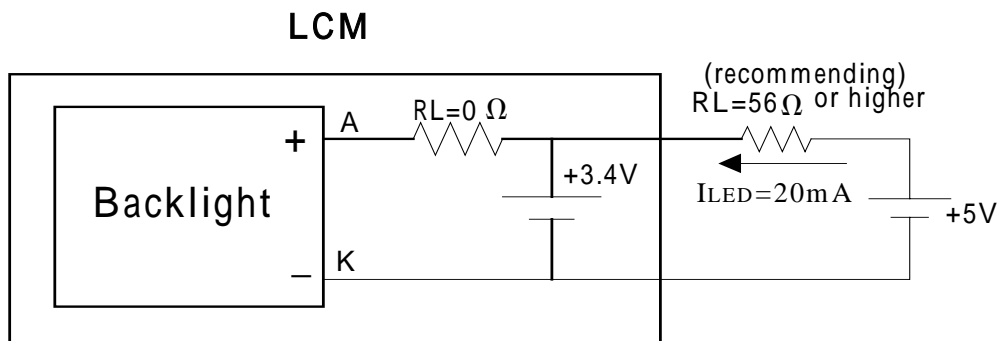


b. LED B/L drive from A. K directly

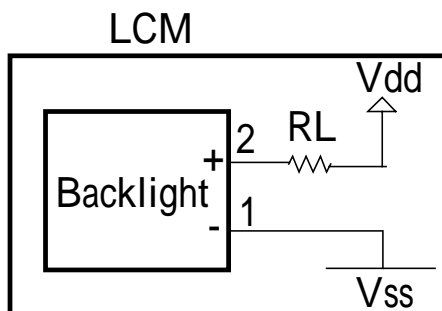
b.1 array / yellow-green



b.2 edge / (white/blue)

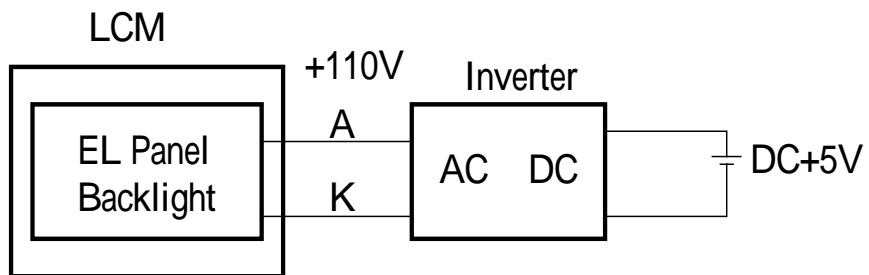


c. * (Option) LED B/L drive from pin1 (Vss) pin2 (Vdd)



- (1) Jump 1,2 Short
- (2) Current Resistor required on RL
- (3) Jump 15,16 open
- (4) To be sure of enough current supply for both Vdd + LED B/L

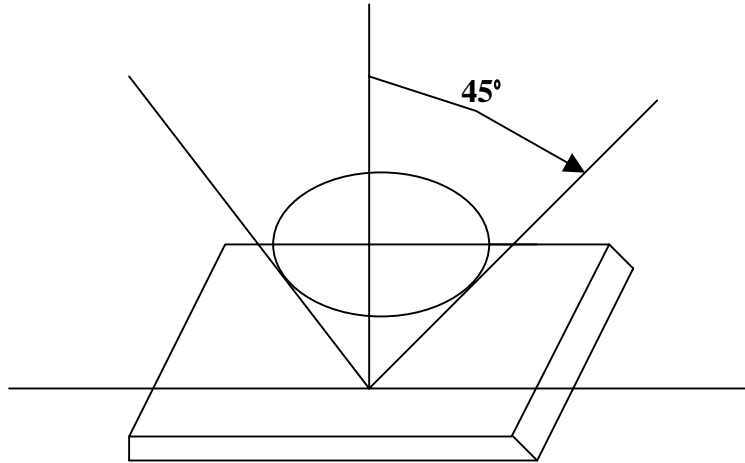
d. EL B/L drive from A.K directly



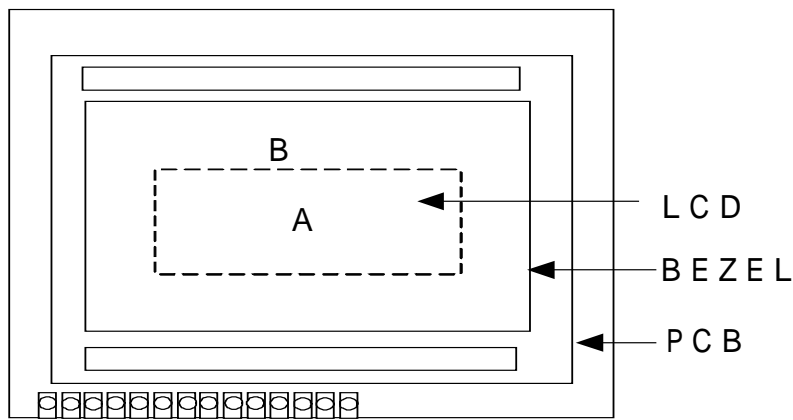
10. Quality Assurance

10.1 Inspection conditions

The LCD shall be inspected under 40W white fluorescent light.



Definition of applicable Zones

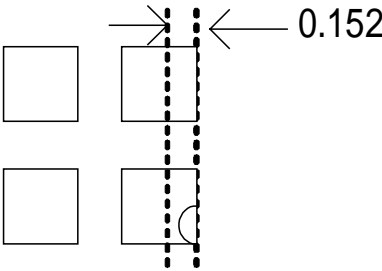
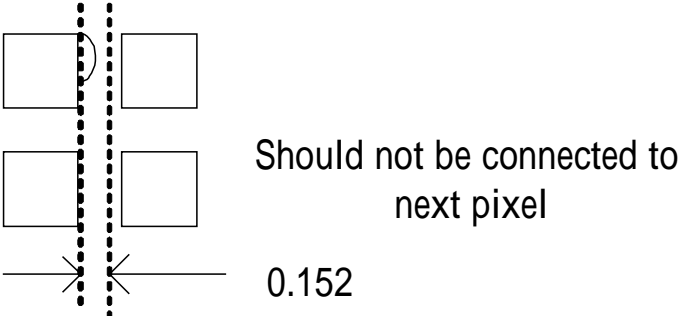
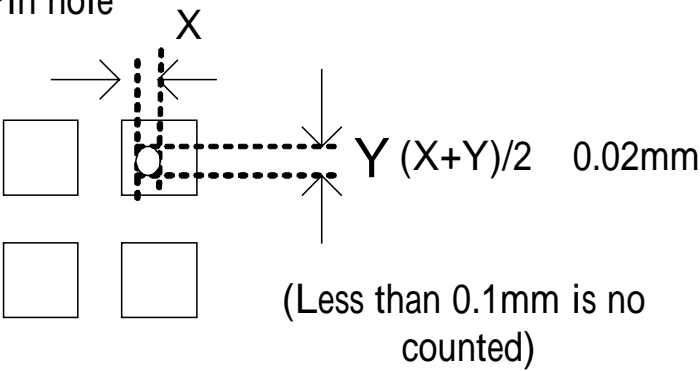
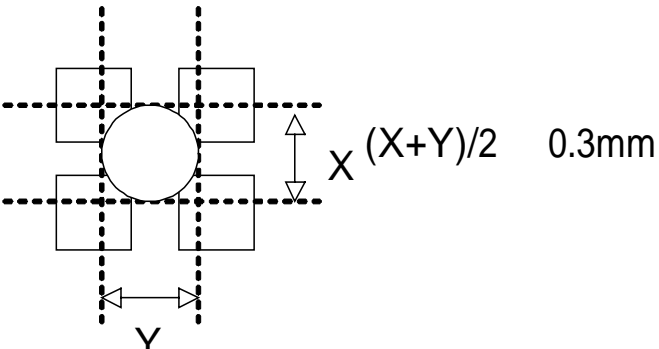


A : Display Area

B : Non-Display Area

10.2 Inspection Parameters

NO.	Parameter	Criteria																					
1	Black or White spots	<table border="1"> <thead> <tr> <th rowspan="2">Zone Dimension</th> <th colspan="2">Acceptable Number</th> <th rowspan="2">Class Of Defects</th> <th rowspan="2">Acceptable Level</th> </tr> <tr> <th>A</th> <th>B</th> </tr> </thead> <tbody> <tr> <td>D < 0.15</td> <td>*</td> <td>*</td> <td rowspan="4">Minor</td> <td rowspan="4">2.5</td> </tr> <tr> <td>0.15 D 0.2</td> <td>4</td> <td>4</td> </tr> <tr> <td>0.2 D 0.25</td> <td>2</td> <td>2</td> </tr> <tr> <td>D 0.3</td> <td>0</td> <td>1</td> </tr> </tbody> </table> <p>D=(Long + Short)/2 *: Disregard</p>	Zone Dimension	Acceptable Number		Class Of Defects	Acceptable Level	A	B	D < 0.15	*	*	Minor	2.5	0.15 D 0.2	4	4	0.2 D 0.25	2	2	D 0.3	0	1
Zone Dimension	Acceptable Number			Class Of Defects	Acceptable Level																		
	A	B																					
D < 0.15	*	*	Minor	2.5																			
0.15 D 0.2	4	4																					
0.2 D 0.25	2	2																					
D 0.3	0	1																					
2	Scratch, Substances	<table border="1"> <thead> <tr> <th rowspan="2">Zone X(mm) Y(mm)</th> <th colspan="2">Acceptable Number</th> <th rowspan="2">Class Of Defects</th> <th rowspan="2">Acceptable Level</th> </tr> <tr> <th>A</th> <th>B</th> </tr> </thead> <tbody> <tr> <td>* 0.04 W</td> <td>*</td> <td>*</td> <td rowspan="4">Minor</td> <td rowspan="4">2.5</td> </tr> <tr> <td>3.0 L 0.06 W</td> <td>4</td> <td>4</td> </tr> <tr> <td>2.0 L 0.08 W</td> <td>2</td> <td>3</td> </tr> <tr> <td>- 0.1 < W</td> <td>0</td> <td>1</td> </tr> </tbody> </table> <p>X: Length Y : Width * : Disregard Total defects should not exceed 4/module</p>	Zone X(mm) Y(mm)	Acceptable Number		Class Of Defects	Acceptable Level	A	B	* 0.04 W	*	*	Minor	2.5	3.0 L 0.06 W	4	4	2.0 L 0.08 W	2	3	- 0.1 < W	0	1
Zone X(mm) Y(mm)	Acceptable Number			Class Of Defects	Acceptable Level																		
	A	B																					
* 0.04 W	*	*	Minor	2.5																			
3.0 L 0.06 W	4	4																					
2.0 L 0.08 W	2	3																					
- 0.1 < W	0	1																					
3	Air Bubbles (between glass & polarizer)	<table border="1"> <thead> <tr> <th rowspan="2">Zone Dimension</th> <th colspan="2">Acceptable Number</th> <th rowspan="2">Class Of Defects</th> <th rowspan="2">Acceptable Level</th> </tr> <tr> <th>A</th> <th>B</th> </tr> </thead> <tbody> <tr> <td>D 0.15</td> <td>*</td> <td>*</td> <td rowspan="3">Minor</td> <td rowspan="3">2.5</td> </tr> <tr> <td>0.15 < D 0.25</td> <td>2</td> <td>*</td> </tr> <tr> <td>0.25 < D</td> <td>0</td> <td>1</td> </tr> </tbody> </table> <p>*: Disregard Total defects shall not excess 3/module.</p>	Zone Dimension	Acceptable Number		Class Of Defects	Acceptable Level	A	B	D 0.15	*	*	Minor	2.5	0.15 < D 0.25	2	*	0.25 < D	0	1			
Zone Dimension	Acceptable Number			Class Of Defects	Acceptable Level																		
	A	B																					
D 0.15	*	*	Minor	2.5																			
0.15 < D 0.25	2	*																					
0.25 < D	0	1																					

<p>4</p>	<p>Uniformity</p>	<p>(1) Pixel shape (with Dent)</p>  <p>(2) Pixel shape (With Projection)</p>  <p>(3) Pin hole</p>  <p>(4) Deformation</p>  <p>Total acceptable number : 1/pixel,5/cell</p>
----------	-------------------	--

11. Reliability

Content of Reliability Test

Environmental Test				
No.	Test Item	Content of Test	Test Condition	Applicable Standard
1	High Temperature storage	Endurance test applying the high storage temperature for a long time.	60 200hrs	—
2	Low Temperature storage	Endurance test applying the high storage temperature for a long time.	-20 200hrs	—
3	High Temperature Operation	Endurance test applying the electric stress (Voltage & Current) and the thermal stress to the element for a long time.	50 200hrs	—
4	Low Temperature Operation	Endurance test applying the electric stress under low temperature for a long time.	0 200hrs	—
5	High Temperature/ Humidity Storage	Endurance test applying the high temperature and high humidity storage for a long time.	60 ,90%RH 96hrs	—
6	High Temperature/ Humidity Operation	Endurance test applying the electric stress (Voltage & Current) and temperature / humidity stress to the element for a long time.	40 ,90%RH 96hrs	—
7	Temperature Cycle	Endurance test applying the low and high temperature cycle. <div style="text-align: center;"> <p style="margin: 0;">-20 25 60</p> <p style="margin: 0;">←—————→</p> <p style="margin: 0;">30min 5min 30min</p> <p style="margin: 0;">—————</p> <p style="margin: 0;">1 cycle</p> </div>	-20 /60 10 cycles	—
Mechanical Test				
8	Vibration test	Endurance test applying the vibration during transportation and using.	10~22Hz 1.5mmp-p 22~500Hz 1.5G Total 0.5hrs	—
9	Shock test	Constructional and mechanical endurance test applying the shock during transportation.	50G Half sign wave 11 msdc 3 times of each direction	—
10	Atmospheric pressure test	Endurance test applying the atmospheric pressure during transportation by air.	115mbar 40hrs	—
Others				
11	Static electricity test	Endurance test applying the electric stress to the terminal.	VS=800V,RS=1.5k CS=100pF 1 time	—

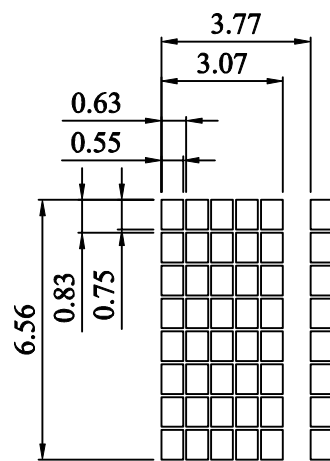
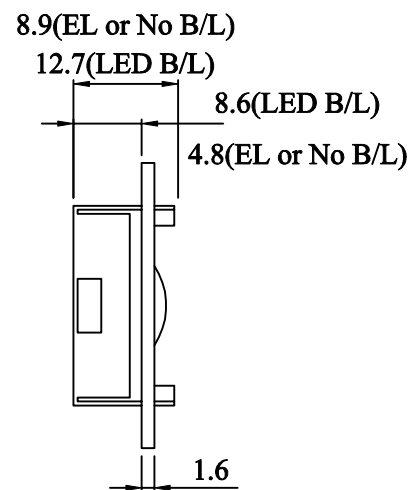
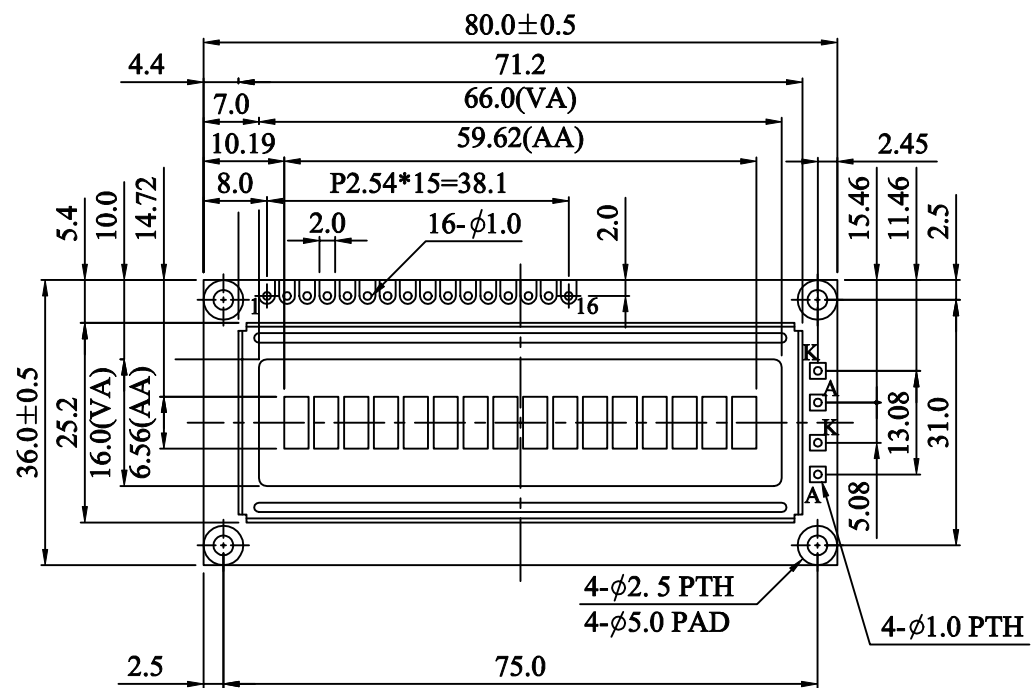
***Supply voltage for logic system=5V. Supply voltage for LCD system =Operating voltage at 25

Bolymin, Inc.

12. Appendix (Drawing , EL inverter data , KS0066 controller data)

12-1 Drawing

As shown on next page



DOT SIZE
SCALE 5/1

PIN NO.	SYMBOL
1	V _{ss}
2	V _{dd}
3	V _o
4	RS
5	R/ \bar{W}
6	E
7	DB0
8	DB1
9	DB2
10	DB3
11	DB4
12	DB5
13	DB6
14	DB7
15	A/NV
16	K

Bolymin, Inc.

12-2 EL inverter data (P/N:IVEL-01)

As shown on next page

Bolymin, Inc.

EL Inverter Specification

P/N: IVEL-01

Customer		Date	99/12/03	Rev	A
Part No	IVEL-01	Item	DC/AC INVERTER	Dwg. No	

●Specification

Input(V/Dc)	Output(V/Ac)	Frequency(Hz)	Input(mA/Dc)	El range(c m ²)	Test Dummy Load=El(cm ²)
5V/DC±10%	80V±15%	600Hz±20%	60mA TYP.	30~80 c m ²	22nF//66.6KΩ

●Test Condition: @25°C. Dc 5V & Standard Dummy Load.

●Test equipment :

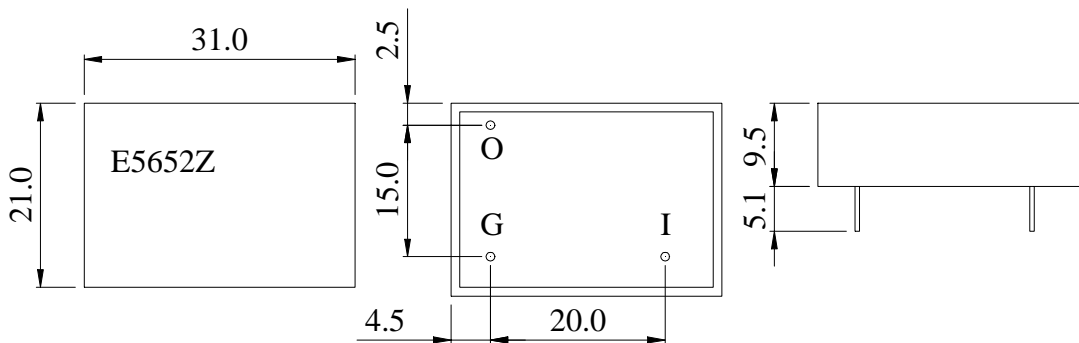
1. Millimeter : FLUKE 87S Millimeter.
2. Oscilloscope : Tektronic TDS210 Digital Oscilloscope.
3. Power supply : Gw GPC-3030D Dc Power Supply.
4. Load : EPI – LOAD – 01 Multi Range Load.

● Operation Temperature : -10°C ~ +70°C

● Storage Temperature : -30°C ~ +80°C

Note :

1. Warning : output do not open or short . Inverter may be burnout.



PIN	Description
I	Input DC Voltage.
G	DC/AC ground.
O	Output AC Voltage.

Tolerance: ±0.5mm

Prepare:

Checked:

Approval:

12-3. KS0066 controller data

12-3.1 Function description

The LCD display Module is built in a LSI controller, the controller has two 8-bit registers, an instruction register (IR) and a data register (DR).

The IR stores instruction codes, such as display clear and cursor shift, and address information for display data RAM (DDRAM) and character generator (CGRAM). The IR can only be written from the MPU. The DR temporarily stores data to be written or read from DDRAM or CGRAM. When address information is written into the IR, then data is stored into the DR from DDRAM or CGRAM. By the register selector (RS) signal, these two registers can be selected.

RS	R/W	Operation
0	0	IR write as an internal operation (display clear, etc.)
0	1	Read busy flag (DB7) and address counter (DB0 to DB7)
1	0	Write data to DDRAM or CGRAM (DR to DDRAM or CGRAM)
1	1	Read data from DDRAM or CGRAM (DDRAM or CGRAM to DR)

Busy Flag (BF)

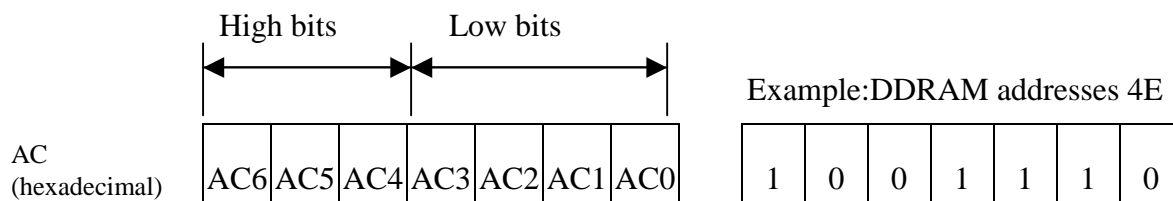
When the busy flag is 1, the controller LSI is in the internal operation mode, and the next instruction will not be accepted. When RS=0 and R/W=1, the busy flag is output to DB7. The next instruction must be written after ensuring that the busy flag is 0.

Address Counter (AC)

The address counter (AC) assigns addresses to both DDRAM and CGRAM

Display Data RAM (DDRAM)

This DDRAM is used to store the display data represented in 8-bit character codes. Its extended capacity is 80x8 bits or 80 characters. Below figure is the relationship between DDRAM addresses and positions on the liquid crystal display.



DDRAM Address

Display position DDRAM address

1 2 3 4 5 6 7 8 9 10 11 12 13 14 15 16

00	01	02	03	04	05	06	07	08	09	0A	0B	0C	0D	0E	0F
40	41	42	43	44	45	46	47	48	49	4A	4B	4C	4D	4E	4F

Example: 2-Line by 16-Character Display

Character Generator ROM (CGROM)

The CGROM generate 5×8 dot or 5×10 dot character patterns from 8-bit character codes. See Table 2.

Character Generator RAM (CGRAM)

In CGRAM, the user can rewrite character by program. For 5×8 dots, eight character patterns can be written, and for 5×10 dots, four character patterns can be written.

Write into DDRAM the character code at the addresses shown as the left column of table 1. To show the character patterns stored in CGRAM.

Relationship between CGRAM Addresses, Character Codes (DDRAM) and Character Patterns (CGRAM Data)

For 5 * 8 dot character patterns

Character Codes (DDRAM data)								CGRAM Address					Character Patterns (CGRAM data)																	
7	6	5	4	3	2	1	0	5		4			3		2		1		0		7	6	5	4	3	2	1	0		
High				Low				High		Low			High				Low													
0 0 0 0 * 0 0 0								0 0 0					0	0	0	*				*	*	*	0				Character pattern(1)			
													0	0	1	*				0	0	0	0	0	0	0		0	0	0
													0	1	0	*				0	0	0	0	0	0	0		0	0	0
													0	1	1	*				0	0	0	0	0	0	0		0	0	0
													1	0	0	*				0	0	0	0	0	0	0		0	0	0
													1	0	1	*				0	0	0	0	0	0	0		0	0	0
													1	1	0	*				0	0	0	0	0	0	0		0	0	0
													1	1	1	*				0	0	0	0	0	0	0		0	0	0
													0	0	0	*				0	0	0	0	0	0	0		0	0	0
													0	0	1	*				0	0	0	0	0	0	0		0	0	0
0 0 0 0 * 0 0 1								0 0 1					0	0	0	*				*	*	*	0				Character pattern(2)			
													0	0	1	*				0	0	0	0	0	0	0		0	0	
													1	0	0	*				0	0	0	0	0	0	0		0	0	0
													1	0	1	*				0	0	0	0	0	0	0		0	0	0
0 0 0 0 * 1 1 1								1 1 1					1	0	0	*				*	*	*	0				Cursor pattern			
													1	0	1	*				0	0	0	0	0	0	0		0	0	
													1	1	0	*				0	0	0	0	0	0	0		0	0	0
													1	1	1	*				0	0	0	0	0	0	0		0	0	0

For 5 * 10 dot character patterns

Character Codes (DDRAM data)								CGRAM Address					Character Patterns (CGRAM data)																																							
7	6	5	4	3	2	1	0	5		4			3		2		1		0		7	6	5	4	3	2	1	0																								
High				Low				High		Low			High					Low																																		
0 0 0 0 * 0 0 0								0 0					0	0	0	0	*				*	*	*	0	0	0	0	0	0	0	0	0	0	0	0	0	0	0	0	0	0	0	0	0	0	0	Character pattern					
													0	0	0	1	*				0	0	0	0	0	0	0	0	0	0	0	0	0	0	0	0	0	0	0	0	0	0	0	0	0	0		0	0	0	0	
													0	0	1	0	*				0	0	0	0	0	0	0	0	0	0	0	0	0	0	0	0	0	0	0	0	0	0	0	0	0	0		0	0	0	0	0
													0	0	1	1	*				0	0	0	0	0	0	0	0	0	0	0	0	0	0	0	0	0	0	0	0	0	0	0	0	0	0		0	0	0	0	0
													0	1	0	0	*				0	0	0	0	0	0	0	0	0	0	0	0	0	0	0	0	0	0	0	0	0	0	0	0	0	0		0	0	0	0	0
													0	1	0	1	*				0	0	0	0	0	0	0	0	0	0	0	0	0	0	0	0	0	0	0	0	0	0	0	0	0	0		0	0	0	0	0
													0	1	1	0	*				0	0	0	0	0	0	0	0	0	0	0	0	0	0	0	0	0	0	0	0	0	0	0	0	0	0		0	0	0	0	0
													0	1	1	1	*				0	0	0	0	0	0	0	0	0	0	0	0	0	0	0	0	0	0	0	0	0	0	0	0	0	0		0	0	0	0	0
													1	0	0	0	*				0	0	0	0	0	0	0	0	0	0	0	0	0	0	0	0	0	0	0	0	0	0	0	0	0	0		0	0	0	0	0
													1	0	0	1	*				0	0	0	0	0	0	0	0	0	0	0	0	0	0	0	0	0	0	0	0	0	0	0	0	0	0		0	0	0	0	0
													1	0	1	0	*				*	*	*	0	0	0	0	0	0	0	0	0	0	0	0	0	0	0	0	0	0	0	0	0								
													1	1	1	1	*				*	*	*	*	*	*	*	*	*	*	*	*	*	*	*	*	*	*	*	*	*	*	*	*	*	*	*	*	*	*		

■ : " High "

12-3.2 C.G ROM table. table 2

Code J: English – Japanese Font

Upper 4 bit Lower 4 bit	LLLL	LLLH	LLHL	LLHH	LHLL	LHLH	LHHL	LHHH	HLLL	HLLH	HLHL	HLHH	HHLL	HHLH	HHHL	HHHH
LLLL	CG RAM (1)			0	1	2	3	4				5	6	7	8	9
LLLH	(2)	!	0	1	2	3	4			5	6	7	8	9	0	1
LLHL	(3)		!	0	1	2	3			4	5	6	7	8	9	0
LLHH	(4)		!	0	1	2	3			4	5	6	7	8	9	0
LHLL	(5)		!	0	1	2	3			4	5	6	7	8	9	0
LHLH	(6)		!	0	1	2	3			4	5	6	7	8	9	0
LHHL	(7)		!	0	1	2	3			4	5	6	7	8	9	0
LHHH	(8)		!	0	1	2	3			4	5	6	7	8	9	0
HLLL	(1)		!	0	1	2	3			4	5	6	7	8	9	0
HLLH	(2)		!	0	1	2	3			4	5	6	7	8	9	0
HLHL	(3)		!	0	1	2	3			4	5	6	7	8	9	0
HLHH	(4)		!	0	1	2	3			4	5	6	7	8	9	0
HHLL	(5)		!	0	1	2	3			4	5	6	7	8	9	0
HHLH	(6)		!	0	1	2	3			4	5	6	7	8	9	0
HHHL	(7)		!	0	1	2	3			4	5	6	7	8	9	0
HHHH	(8)		!	0	1	2	3			4	5	6	7	8	9	0

Code E: English - European Font

Upper 4 bit Lower 4 bit	LLLL	LLLH	LLHL	LLHH	LHLL	LHLH	LHHL	LHHH	HLLL	HLLH	HLHL	HLHH	HHLL	HHLH	HHHL	HHHH
LLLL	CG RAM (1)	!	"	#	\$	%	&	'	()	*	+	,	-	.	:
LLLH	CG RAM (2)	;	<	=	>	?@	AB	CD	EF	GH	IJ	KL	M	N	O	P
LLHL	CG RAM (3)	Q	R	S	T	U	V	W	X	Y	Z	[]	^	_	`
LLHH	CG RAM (4)	a	b	c	d	e	f	g	h	i	j	k	l	m	n	o
LHLL	CG RAM (5)	p	q	r	s	t	u	v	w	x	y	z	{	}	~	`
LHLH	CG RAM (6)	0	1	2	3	4	5	6	7	8	9	:	;	<	=	>
LHHL	CG RAM (7)	?	@	A	B	C	D	E	F	G	H	I	J	K	L	M
LHHH	CG RAM (8)	N	O	P	Q	R	S	T	U	V	W	X	Y	Z	[]
HLLL	CG RAM (1)	`	!@	AB	CD	EF	GH	IJ	KL	MN	OP	QR	ST	UV	WX	YZ
HLLH	CG RAM (2)	`	!@	AB	CD	EF	GH	IJ	KL	MN	OP	QR	ST	UV	WX	YZ
HLHL	CG RAM (3)	`	!@	AB	CD	EF	GH	IJ	KL	MN	OP	QR	ST	UV	WX	YZ
HLHH	CG RAM (4)	`	!@	AB	CD	EF	GH	IJ	KL	MN	OP	QR	ST	UV	WX	YZ
HHLL	CG RAM (5)	`	!@	AB	CD	EF	GH	IJ	KL	MN	OP	QR	ST	UV	WX	YZ
HHLH	CG RAM (6)	`	!@	AB	CD	EF	GH	IJ	KL	MN	OP	QR	ST	UV	WX	YZ
HHHL	CG RAM (7)	`	!@	AB	CD	EF	GH	IJ	KL	MN	OP	QR	ST	UV	WX	YZ
HHHH	CG RAM (8)	`	!@	AB	CD	EF	GH	IJ	KL	MN	OP	QR	ST	UV	WX	YZ

Bolymin, Inc.

Code C: English - Cyrillic Font

Upper 4 bit Lower 4 bit	LLLL	LLLH	LLHL	LLHH	LHLL	LHLH	LHHL	LHHH	HLLL	HLLH	HLHL	HLHH	HHLL	HHLH	HHHL	HHHH
LLLL	CG RAM (1)			0	1	2	3	4			5	6	7	8	9	0
LLLH	CG RAM (2)		!	1	2	3	4				5	6	7	8	9	0
LLHL	CG RAM (3)		"	2	3	4	5	6			7	8	9	0	1	2
LLHH	CG RAM (4)		#	3	4	5	6	7			8	9	0	1	2	3
LHLL	CG RAM (5)		\$	4	5	6	7	8			9	0	1	2	3	4
LHLH	CG RAM (6)		%	5	6	7	8	9			0	1	2	3	4	5
LHHL	CG RAM (7)		&	6	7	8	9	0			1	2	3	4	5	6
LHHH	CG RAM (8)		'	7	8	9	0	1			2	3	4	5	6	7
HLLL	CG RAM (1)		(8	9	0	1	2			3	4	5	6	7	8
HLLH	CG RAM (2))	9	0	1	2	3			4	5	6	7	8	9
HLHL	CG RAM (3)		*	0	1	2	3	4			5	6	7	8	9	0
HLHH	CG RAM (4)		+	1	2	3	4	5			6	7	8	9	0	1
HHLL	CG RAM (5)		,	2	3	4	5	6			7	8	9	0	1	2
HHLH	CG RAM (6)		-	3	4	5	6	7			8	9	0	1	2	3
HHHL	CG RAM (7)		.	4	5	6	7	8			9	0	1	2	3	4
HHHH	CG RAM (8)		/	5	6	7	8	9			0	1	2	3	4	5

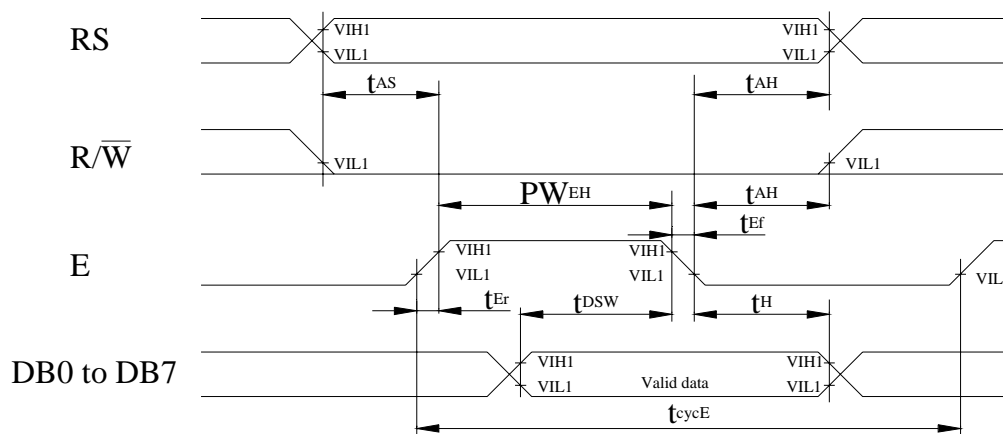
12-3.3 Instruction table

Instruction	Instruction Code										Description	Execution time (fosc=270 Khz)	
	RS	R/W	DB7	DB6	DB5	DB4	DB3	DB2	DB1	DB0			
Clear Display	0	0	0	0	0	0	0	0	0	0	1	Write "00H" to DDRAM and set DDRAM address to "00H" from AC	1.53ms
Return Home	0	0	0	0	0	0	0	0	0	1	-	Set DDRAM address to "00H" from AC and return cursor to its original position if shifted. The contents of DDRAM are not changed.	1.53ms
Entry Mode Set	0	0	0	0	0	0	0	0	1	I/D	SH	Assign cursor moving direction and enable the shift of entire display.	39 μs
Display ON/OFF Control	0	0	0	0	0	0	0	1	D	C	B	Set display (D), cursor (C), and blinking of cursor (B) on/off control bit.	39 μs
Cursor or Display Shift	0	0	0	0	0	0	1	S/C	R/L	-	-	Set cursor moving and display shift control bit, and the direction, without changing of DDRAM data.	39 μs
Function Set	0	0	0	0	0	1	DL	N	F	-	-	Set interface data length (DL:8-bit/4-bit), numbers of display line (N:2-line/1-line)and, display font type (F:5×11 dots/5×8 dots)	39 μs
Set CGRAM Address	0	0	0	1	AC5	AC4	AC3	AC2	AC1	AC0		Set CGRAM address in address counter.	39 μs
Set DDRAM Address	0	0	1	AC6	AC5	AC4	AC3	AC2	AC1	AC0		Set DDRAM address in address counter.	39 μs
Read Busy Flag and Address	0	1	BF	AC6	AC5	AC4	AC3	AC2	AC1	AC0		Whether during internal operation or not can be known by reading BF. The contents of address counter can also be read.	0 μs
Write Data to RAM	1	0	D7	D6	D5	D4	D3	D2	D1	D0		Write data into internal RAM (DDRAM/CGRAM).	43 μs
Read Data from RAM	1	1	D7	D6	D5	D4	D3	D2	D1	D0		Read data from internal RAM (DDRAM/CGRAM).	43 μs

* " - " : don't care

12-3.4 Timing characteristics

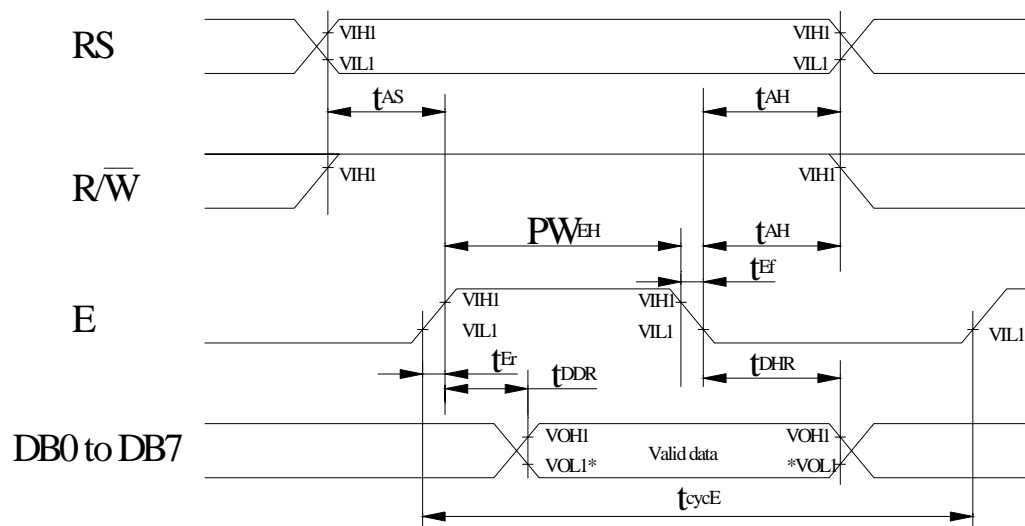
12-3.4.1 Write Operation



$T_a=25$, $V_{dd}=5.0\pm 0.5V$

Item	Symbol	Min	Typ	Max	Unit
Enable cycle time	t_{cycE}	500	-	-	ns
Enable pulse width (high level)	PW_{EH}	230	-	-	ns
Enable rise/fall time	t_{Er}, t_{Ef}	-	-	20	ns
Address set-up time (RS, R/W to E)	t_{AS}	40	-	-	ns
Address hold time	t_{AH}	10	-	-	ns
Data set-up time	t_{DSW}	80	-	-	ns
Data hold time	t_H	10	-	-	ns

12-3.4.2 Read Operation



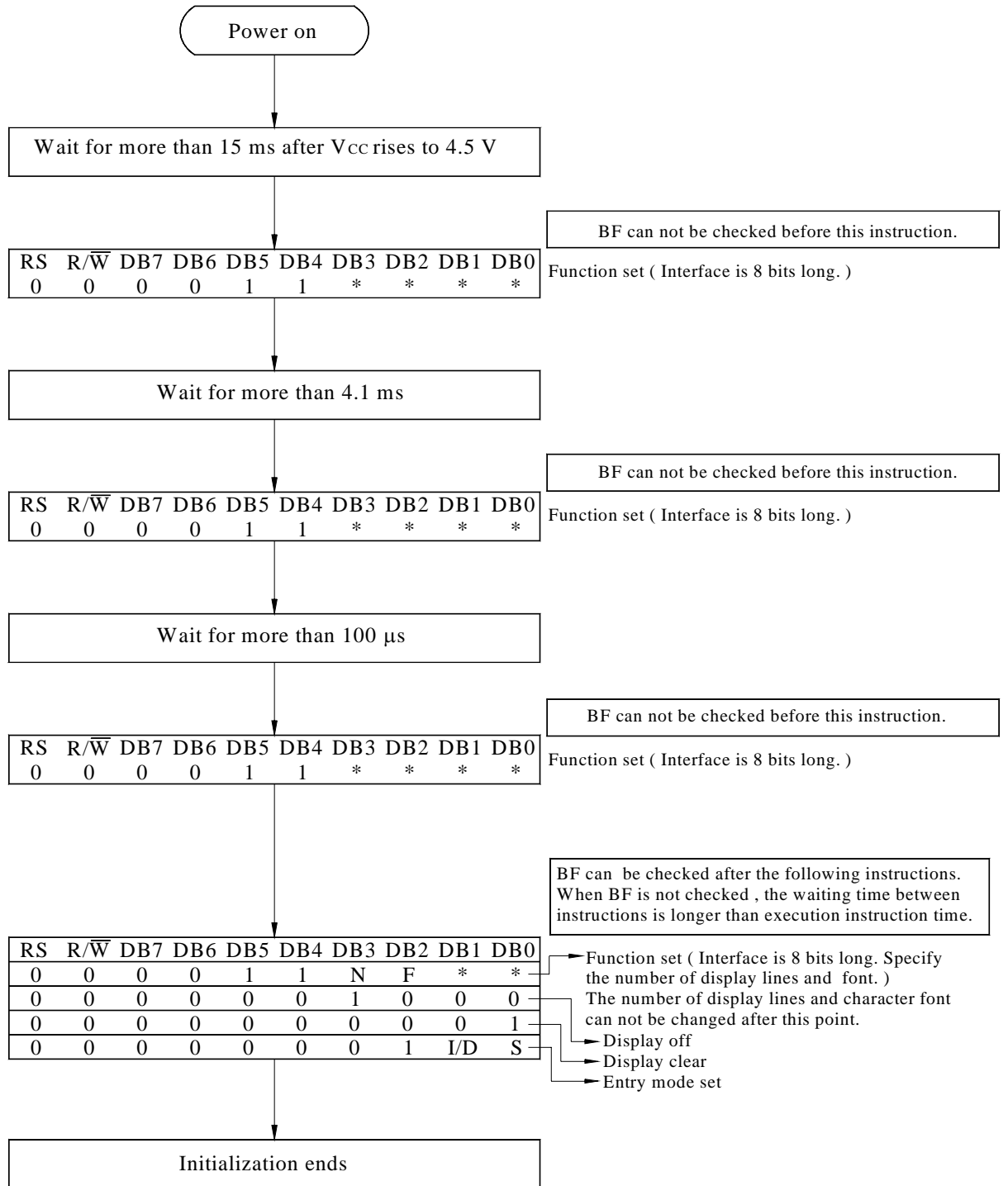
NOTE: *VOL1 is assumed to be 0.8V at 2 MHz operation.

$T_a=25$, $V_{dd}=5.0\pm 0.5V$

Item	Symbol	Min	Typ	Max	Unit
Enable cycle time	t_{cycE}	500	-	-	ns
Enable pulse width (high level)	PW_{EH}	230	-	-	ns
Enable rise/fall time	t_{Er}, t_{Efc}	-	-	20	ns
Address set-up time (RS, R/W to E)	t_{AS}	40	-	-	ns
Address hold time	t_{AH}	10	-	-	ns
Data delay time	t_{DDR}	-	-	100	ns
Data hold time	t_{DHR}	5	-	-	ns

12-3.5 Initializing soft ware of LCM

12-3.5.1 8-bit interface



8-Bit Ineterface

12-3.5.2 4-bit interface

