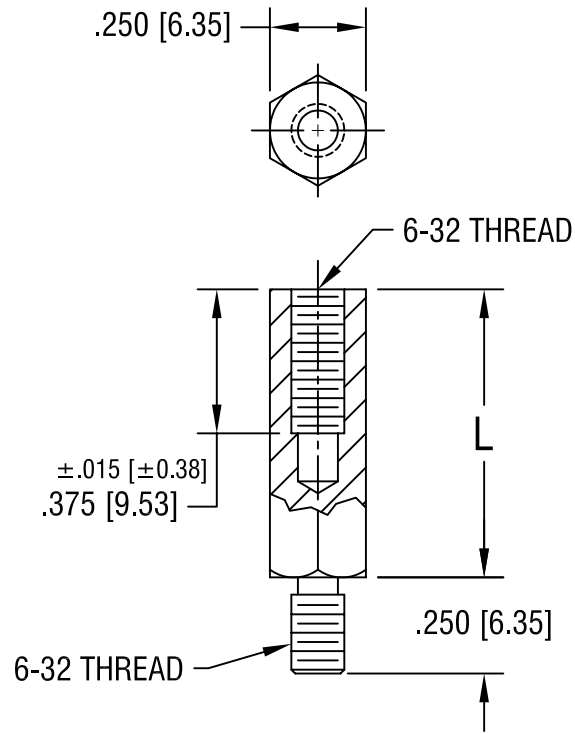


THIS DOCUMENT IS THE PROPERTY OF
KEYSTONE ELECTRONICS CORP. AND
SHALL NOT BE REPRODUCED, DISTRIBUTED
OR USED AS A BASIS FOR MANUFACTURE
WITHOUT PRIOR WRITTEN PERMISSION
FROM KEYSTONE ELECTRONICS CORP.



PART NO.	'L' DIM.
1953	.625 [15.87]
1954	.750 [19.05]

KEYSTONE ELECTRONICS CORP.			
ASTORIA, N.Y. 11105-2017			
PART NAME HEX M/F STANDOFF			
MATERIAL BRASS			
FINISH NICKEL PLATE		DRN BY BOONE	DATE 7.30.82
		APP'D	SCALE 2X
TOLERANCES INCH [MM] DECIMAL ±.005 [±0.15] ANGULAR ± 1° UNLESS OTHERWISE SPECIFIED		CODE C/M	DWG NO. 1953-1954

4.3.96	CHANGE PER AS ECR 96-015	A
DATE	DESCRIPTION	REV.