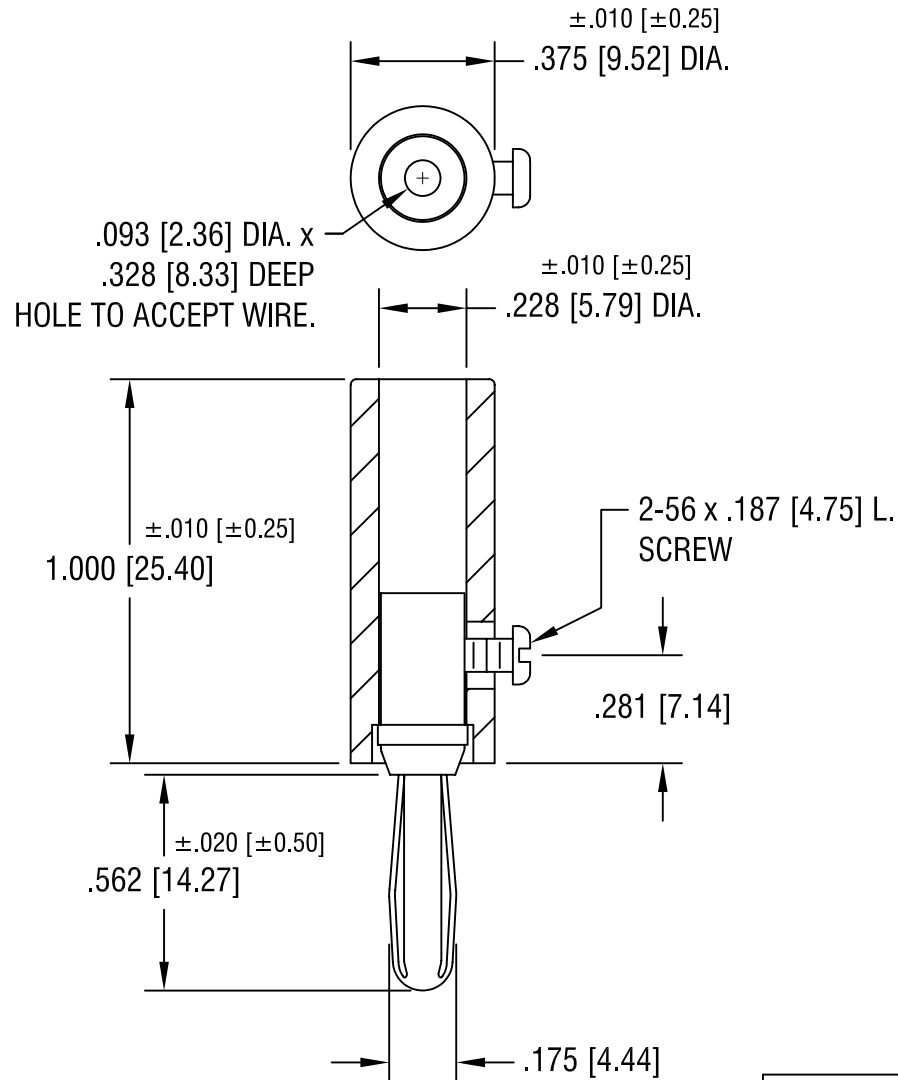


THIS DOCUMENT IS THE PROPERTY OF
KEYSTONE ELECTRONICS CORP. AND
SHALL NOT BE REPRODUCED, DISTRIBUTED
OR USED AS A BASIS FOR MANUFACTURE
WITHOUT PRIOR WRITTEN PERMISSION
FROM KEYSTONE ELECTRONICS CORP.



NOTES:

- 1. SPRING: MAT'L - NICKEL SILVER
- BODY: MAT'L - BRASS
- FINISH - NICKEL PLATE
- HANDLE: MAT'L - NYLON

| PART NO. | COLOR |
|----------|-------|
| 6084 | RED |
| 6085 | BLACK |

KEYSTONE ELECTRONICS CORP.

ASTORIA, N.Y. 11105-2017

PART NAME

BANANA PLUG, SOLDERLESS CONNECTION

MATERIAL

AS NOTED

FINISH

AS NOTED

DRN BY

BOONE

DATE

1.12.06

APP'D

LN

SCALE

2X

TOLERANCES

INCH

[MM]

CODE

DWG NO.

DECIMAL $\pm .005$ [± 0.15]

C/M

ANGULAR $\pm 1^\circ$
UNLESS OTHERWISE SPECIFIED

6084-6085

| DATE | DESCRIPTION | REV. |
|------|-------------|------|
| | | |