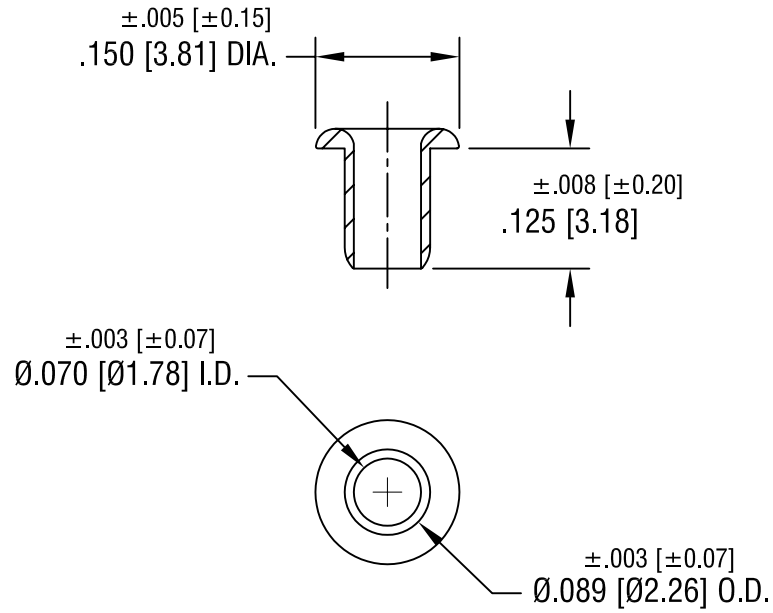


THIS DOCUMENT IS THE PROPERTY OF
KEYSTONE ELECTRONICS CORP. AND
SHALL NOT BE REPRODUCED, DISTRIBUTED
OR USED AS A BASIS FOR MANUFACTURE
WITHOUT PRIOR WRITTEN PERMISSION
FROM KEYSTONE ELECTRONICS CORP.



KEYSTONE ELECTRONICS CORP.

ASTORIA, N.Y. 11105-2017

PART NAME

WIDE ROLL EYELET

MATERIAL

.009 [0.22] TH'K BRASS

FINISH

TIN PLATE

DRN BY

BOONE

DATE

10.30.06

APP'D

SCALE

5X

TOLERANCES

INCH [MM]

CODE

DWG NO.

DECIMAL $\pm .005$ [± 0.15]

C/M

34

ANGULAR $\pm 1^\circ$
UNLESS OTHERWISE SPECIFIED

DATE

DESCRIPTION

REV.