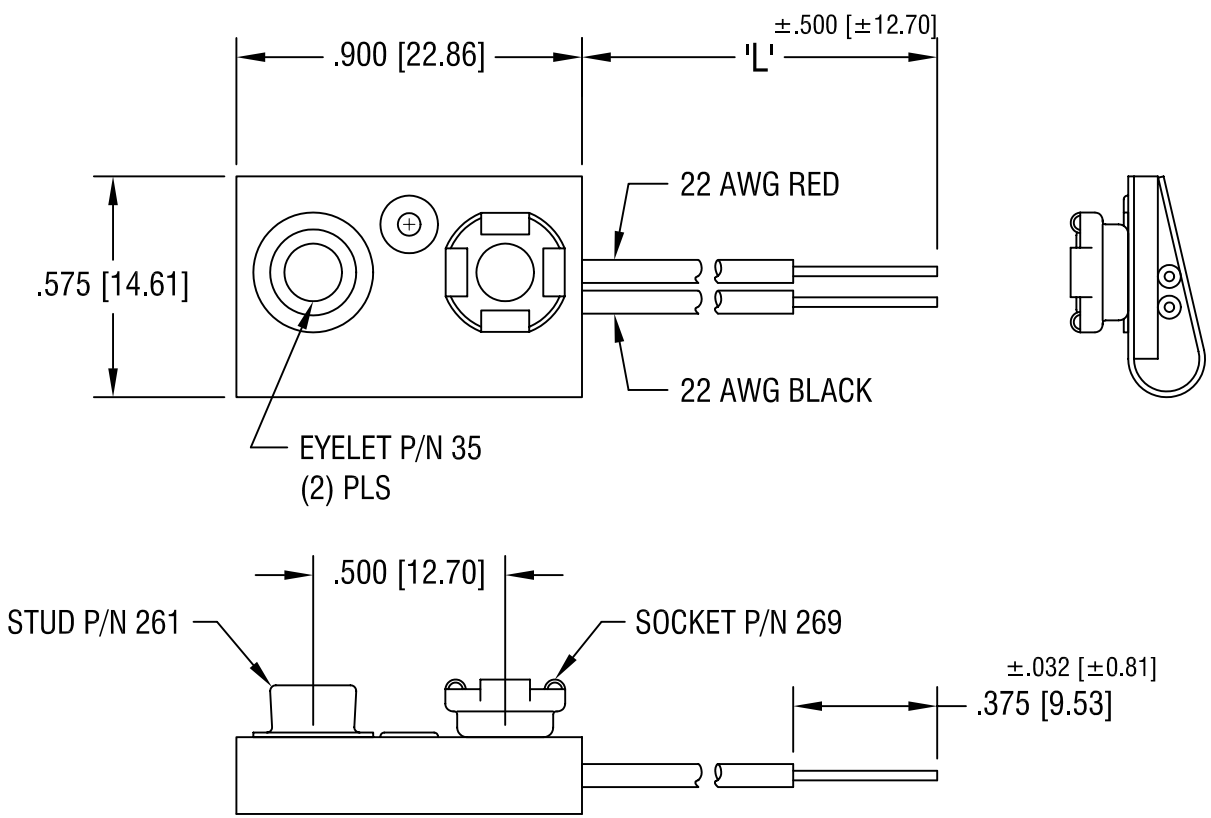


THIS DOCUMENT IS THE PROPERTY OF KEYSTONE ELECTRONICS CORP. AND SHALL NOT BE REPRODUCED, DISTRIBUTED OR USED AS A BASIS FOR MANUFACTURE WITHOUT PRIOR WRITTEN PERMISSION FROM KEYSTONE ELECTRONICS CORP.



**NOTES:**

- MAT'L -**  
 WIRE: 22 AWG, 1061 UL/CSA APPROVED  
 .052 [1.32] O.D. PVC INSULATION.  
 RED WIRE SOLDERED TO FEMALE CONTACT;  
 BLACK WIRE TO MALE CONTACT.
- BASE:**  
 MAT'L - .062 [1.57] TH'K FIBRE  
 COVER:  
 MAT'L - .015 [0.38] TH'K FIBRE  
 CONTACT:  
 MAT'L - STEEL  
 FINISH - NICKEL PLATE  
 EYELET:  
 MAT'L - BRASS  
 FINISH - TIN PLATE

PART NO.	'L' DIM.
83-4	4.000 [101.60]
83	6.500 [165.10]
83-8	8.000 [203.20]

<b>KEYSTONE ELECTRONICS CORP.</b>			
ASTORIA, N.Y. 11105-2017			
PART NAME			
'9' VOLT BATTERY STRAP			
MATERIAL			
AS NOTED			
FINISH		DRN BY	DATE
AS NOTED		BOONE	5.17.96
		APPD	SCALE
			2X
TOLERANCES	INCH [MM]	CODE	DWG NO.
DECIMAL	$\pm .010 [\pm 0.25]$	C/M	<b>83-</b>
ANGULAR	$\pm 1^\circ$		
UNLESS OTHERWISE SPECIFIED			

DATE	DESCRIPTION	REV.